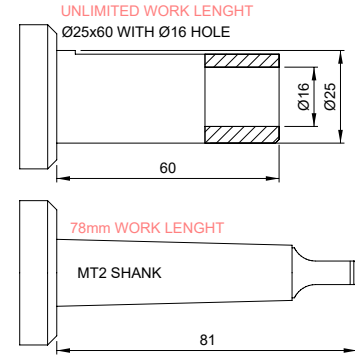
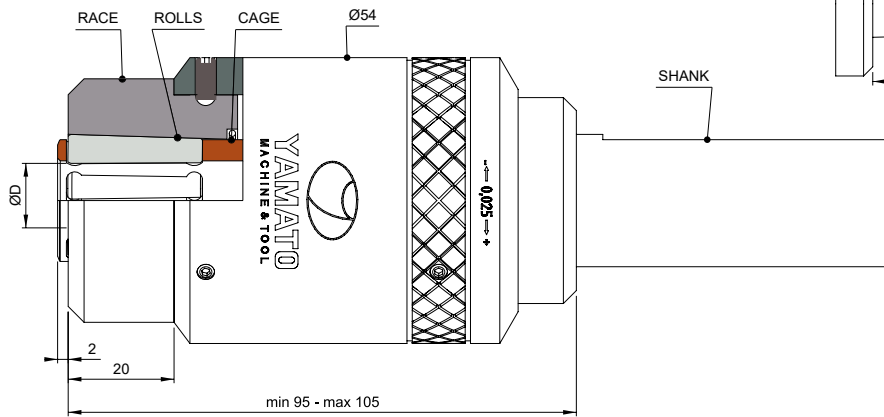
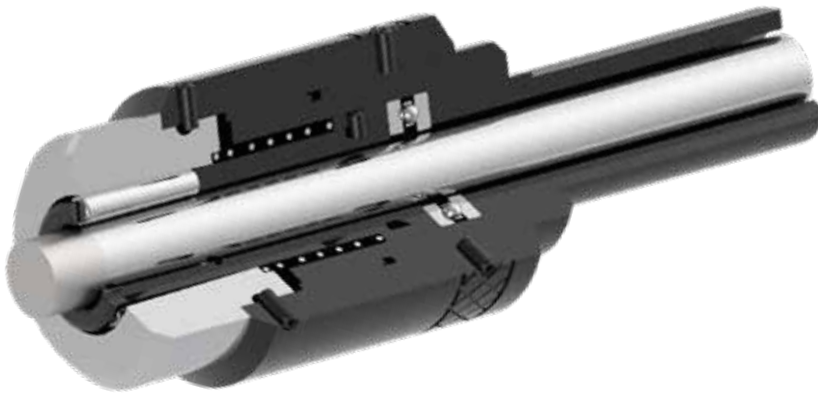


Diameter Range  
Ø3- Ø14



Roller Burnishing Tools   Straight Shafts											
ØD (mm)		TOOL CODE				SPARE PARTS					
Nominal	Range			Straight Shank		MT Shank		Cage	Race	Rolls	
				Ø25x60 with Ø16 hole (unlimited work length)		MT2 (78 mm work length)				code	qty
3.00	3.10	-	2.70	MOD00030003218MF	MOD20030003218MF	EMC100136	EMR100104	RTR600218	3		
3.50	3.60	-	3.20	MOD00035003218MF	MOD20035003218MF	EMC100138	EMR100106	RTR600218	3		
4.00	4.10	-	3.70	MOD00040003218MF	MOD20040003218MF	EMC100140	EMR100108	RTR600218	3		
4.50	4.60	-	4.20	MOD00045003218MF	MOD20045003218MF	EMC100142	EMR100110	RTR600218	3		
5.00	5.10	-	4.70	MOD00050003218MF	MOD20050003218MF	EMC100144	EMR100112	RTR600218	3		
5.50	5.60	-	5.20	MOD00055003218MF	MOD20055003218MF	EMC100146	EMR100114	RTR600218	3		
6.00	6.10	-	5.70	MOD00060003218MF	MOD20060003218MF	EMC100148	EMR100116	RTR600218	3		
6.50	6.60	-	6.20	MOD00065003218MF	MOD20065003218MF	EMC100150	EMR100118	RTR600218	3		
7.00	7.10	-	6.70	MOD00070003218MF	MOD20070003218MF	EMC100152	EMR100120	RTR600218	3		
7.50	7.60	-	7.20	MOD00075003218MF	MOD20075003218MF	EMC100154	EMR100122	RTR600218	3		
8.00	8.10	-	7.70	MOD00080003218MF	MOD20080003218MF	EMC100156	EMR100124	RTR600218	3		
8.50	8.60	-	8.20	MOD00085003218MF	MOD20085003218MF	EMC100158	EMR100126	RTR600218	3		
9.00	9.10	-	8.70	MOD00090004218MF	MOD20090004218MF	EMC100160	EMR100128	RTR600218	4		
9.50	9.60	-	9.20	MOD00095004218MF	MOD20095004218MF	EMC100162	EMR100130	RTR600218	4		
10.00	10.10	-	9.70	MOD00100004218MF	MOD20100004218MF	EMC100164	EMR100132	RTR600218	4		
10.50	10.60	-	10.20	MOD00105004218MF	MOD20105004218MF	EMC100166	EMR100134	RTR600218	4		
11.00	11.10	-	10.70	MOD00110004218MF	MOD20110004218MF	EMC100168	EMR100136	RTR600218	4		
11.50	11.60	-	11.20	MOD00115004218MF	MOD20115004218MF	EMC100170	EMR100138	RTR600218	4		
12.00	12.10	-	11.70	MOD00120005218MF	MOD20120005218MF	EMC100172	EMR100140	RTR600218	5		
12.50	12.60	-	12.20	MOD00125005218MF	MOD20125005218MF	EMC100174	EMR100142	RTR600218	5		
13.00	13.10	-	12.70	MOD00130005218MF	MOD20130005218MF	EMC100176	EMR100144	RTR600218	5		
13.50	13.60	-	13.20	MOD00135005218MF	MOD20135005218MF	EMC100178	EMR100146	RTR600218	5		
14.00	14.10	-	13.70	MOD00140005218MF	MOD20140005218MF	EMC100180	EMR100148	RTR600218	5		

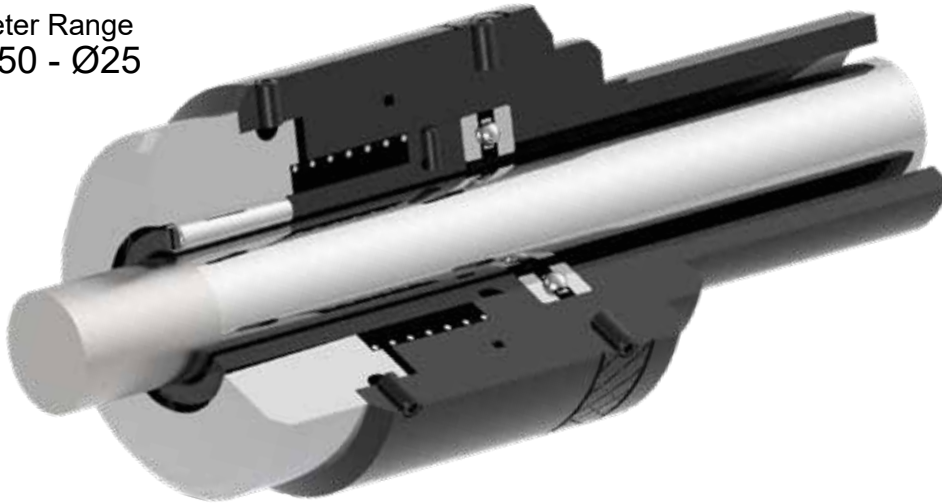
# ROLLER BURNISHING TOOLS

EXTERNAL DIAMETER  
STRAIGHT SHAFTS

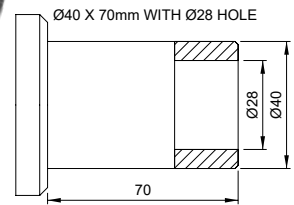


**YAMATO**  
MACHINE & TOOL

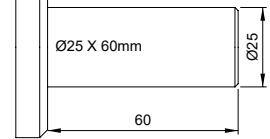
Diameter Range  
Ø14.50 - Ø25



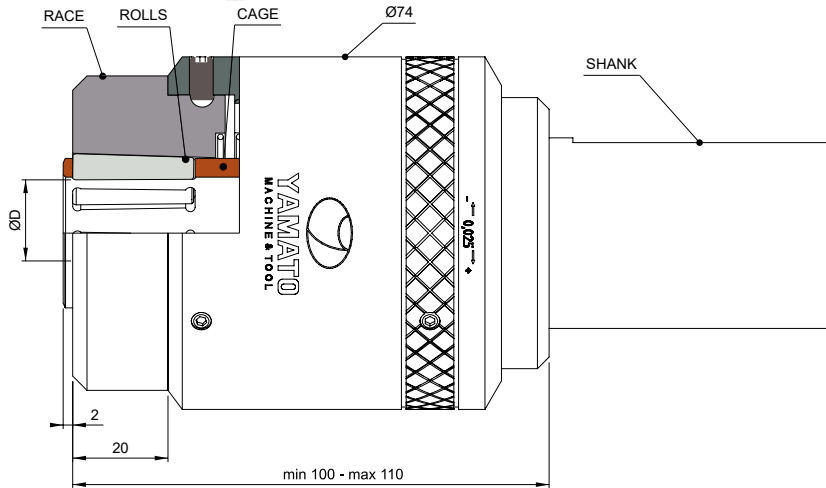
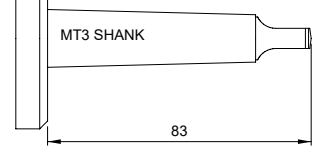
UNLIMITED WORK LENGTH



78mm WORK LENGTH



78mm WORK LENGTH



Roller Burnishing Tools | Straight Shafts

ØD (mm)		TOOL CODE			SPARE PARTS			
Nominal	Range	Straight Shank		MT Shank	Cage	Race	Rolls	
		Ø25x60 solid (78 mm work length)	Ø40x70 with Ø28 internal hole (unlimited work length)	MT3 (78 mm work length)			code	qty
14.50	14.60 - 14.20	MOD00145005218MF	MOD00145005218MF-S40H28	MOD30145005218MF	EMC200182	EMR200150	RTR600218	5
15.00	15.10 - 14.70	MOD00150005218MF	MOD00150005218MF-S40H28	MOD30150005218MF	EMC200184	EMR200152	RTR600218	5
15.50	15.60 - 15.20	MOD00155005218MF	MOD00155005218MF-S40H28	MOD30155005218MF	EMC200186	EMR200154	RTR600218	5
16.00	16.10 - 15.70	MOD00160005218MF	MOD00160005218MF-S40H28	MOD30160005218MF	EMC200188	EMR200156	RTR600218	5
16.50	16.60 - 16.20	MOD00165005218MF	MOD00165005218MF-S40H28	MOD30165005218MF	EMC200190	EMR200158	RTR600218	5
17.00	17.10 - 16.70	MOD00170005218MF	MOD00170005218MF-S40H28	MOD30170005218MF	EMC200192	EMR200160	RTR600218	5
17.50	17.60 - 17.20	MOD00175005218MF	MOD00175005218MF-S40H28	MOD30175005218MF	EMC200194	EMR200162	RTR600218	5
18.00	18.10 - 17.70	MOD00180006218MF	MOD00180006218MF-S40H28	MOD30180006218MF	EMC200196	EMR200164	RTR600218	6
18.50	18.60 - 18.20	MOD00185006218MF	MOD00185006218MF-S40H28	MOD30185006218MF	EMC200198	EMR200166	RTR600218	6
19.00	19.10 - 18.70	MOD00190006218MF	MOD00190006218MF-S40H28	MOD30190006218MF	EMC200200	EMR200168	RTR600218	6
19.50	19.60 - 19.20	MOD00195006218MF	MOD00195006218MF-S40H28	MOD30195006218MF	EMC200202	EMR200170	RTR600218	6
20.00	20.10 - 19.70	MOD00200006218MF	MOD00200006218MF-S40H28	MOD30200006218MF	EMC200204	EMR200172	RTR600218	6
20.50	20.60 - 20.20	MOD00205006218MF	MOD00205006218MF-S40H28	MOD30205006218MF	EMC200206	EMR200174	RTR600218	6
21.00	21.10 - 20.70	MOD00210006218MF	MOD00210006218MF-S40H28	MOD30210006218MF	EMC200208	EMR200176	RTR600218	6
21.50	21.60 - 21.20	MOD00215006218MF	MOD00215006218MF-S40H28	MOD30215006218MF	EMC200210	EMR200178	RTR600218	6
22.00	22.10 - 21.70	MOD00220007218MF	MOD00220007218MF-S40H28	MOD30220007218MF	EMC200212	EMR200180	RTR600218	7
22.50	22.60 - 22.20	MOD00225007218MF	MOD00225007218MF-S40H28	MOD30225007218MF	EMC200214	EMR200182	RTR600218	7
23.00	23.10 - 22.70	MOD00230007218MF	MOD00230007218MF-S40H28	MOD30230007218MF	EMC200216	EMR200184	RTR600218	7
23.50	23.60 - 23.20	MOD00235007218MF	MOD00235007218MF-S40H28	MOD30235007218MF	EMC200218	EMR200186	RTR600218	7
24.00	24.10 - 23.70	MOD00240007218MF	MOD00240007218MF-S40H28	MOD30240007218MF	EMC200220	EMR200188	RTR600218	7
24.50	24.60 - 24.20	MOD00245007218MF	MOD00245007218MF-S40H28	MOD30245007218MF	EMC200222	EMR200190	RTR600218	7
25.00	25.10 - 24.70	MOD00250007218MF	MOD00250007218MF-S40H28	MOD30250007218MF	EMC200224	EMR200192	RTR600218	7

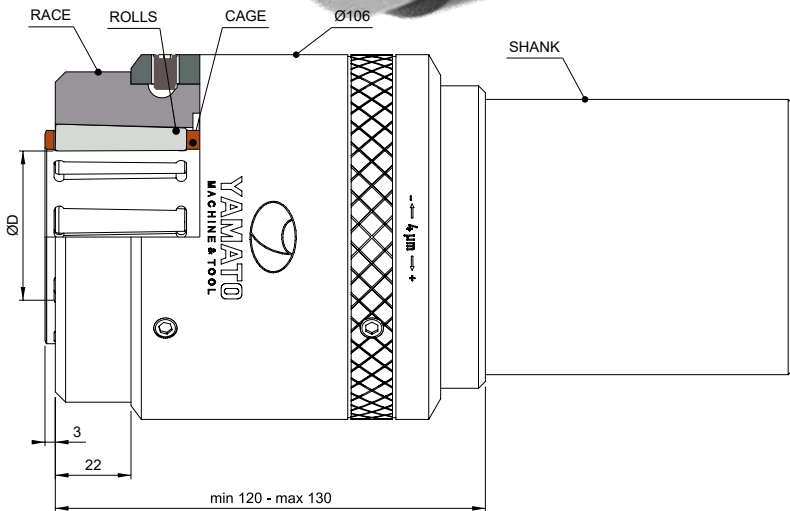
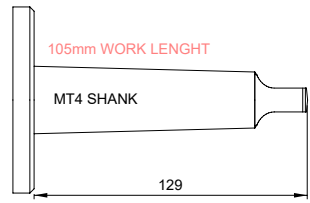
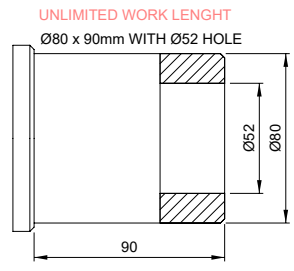
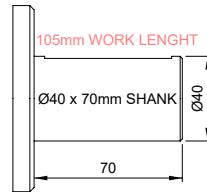


**YAMATO**  
MACHINE & TOOL

# ROLLER BURNISHING TOOLS

EXTERNAL DIAMETER  
STRAIGHT SHAFTS

Diameter Range  
Ø25.50 - Ø38



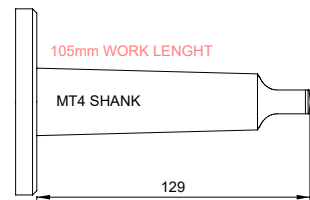
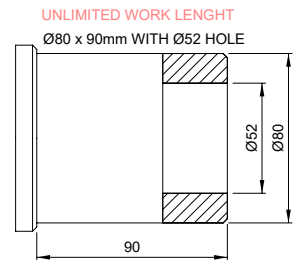
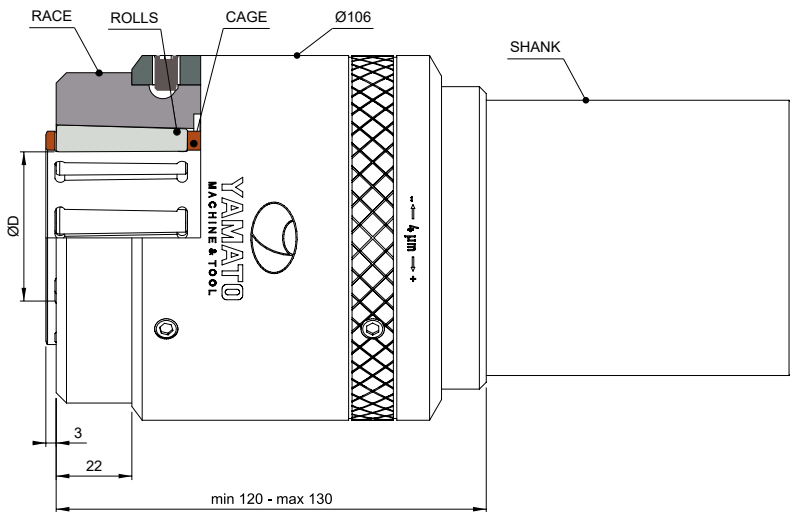
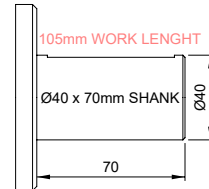
Roller Burnishing Tools   Straight Shafts								
ØD (mm)		TOOL CODE			SPARE PARTS			
Nominal	Range	Straight Shank		MT Shank	Cage	Race	Rolls	
		Ø40x70 solid (105 mm work length)	Ø80x90 with Ø52 internal hole (unlimited work length)	MT4 (105 mm work length)			code	qty
25.50	25.60 - 25.10	MOD00255007310MF	MOD00255007310MF-S80H52	MOD40255007310MF	EMC300226	EMR300194	RTR600310	7
26.00	26.10 - 25.60	MOD00260007310MF	MOD00260007310MF-S80H52	MOD40260007310MF	EMC300228	EMR300196	RTR600310	7
26.50	26.60 - 26.10	MOD00265007310MF	MOD00265007310MF-S80H52	MOD40265007310MF	EMC300230	EMR300198	RTR600310	7
27.00	27.10 - 26.60	MOD00270007310MF	MOD00270007310MF-S80H52	MOD40270007310MF	EMC300232	EMR300200	RTR600310	7
27.50	27.60 - 27.10	MOD00275007310MF	MOD00275007310MF-S80H52	MOD40275007310MF	EMC300234	EMR300202	RTR600310	7
28.00	28.10 - 27.60	MOD00280007310MF	MOD00280007310MF-S80H52	MOD40280007310MF	EMC300236	EMR300204	RTR600310	7
28.50	28.60 - 28.10	MOD00285007310MF	MOD00285007310MF-S80H52	MOD40285007310MF	EMC300238	EMR300206	RTR600310	7
29.00	29.10 - 28.60	MOD00290007310MF	MOD00290007310MF-S80H52	MOD40290007310MF	EMC300240	EMR300208	RTR600310	7
29.50	29.60 - 29.10	MOD00295007310MF	MOD00295007310MF-S80H52	MOD40295007310MF	EMC300242	EMR300210	RTR600310	7
30.00	30.10 - 29.60	MOD00300007310MF	MOD00300007310MF-S80H52	MOD40300007310MF	EMC300244	EMR300212	RTR600310	7
30.50	30.60 - 30.10	MOD00305007310MF	MOD00305007310MF-S80H52	MOD40305007310MF	EMC300246	EMR300214	RTR600310	7
31.00	31.10 - 30.60	MOD00310007310MF	MOD00310007310MF-S80H52	MOD40310007310MF	EMC300248	EMR300216	RTR600310	7
31.50	31.60 - 31.10	MOD00315007310MF	MOD00315007310MF-S80H52	MOD40315007310MF	EMC300250	EMR300218	RTR600310	7
32.00	32.10 - 31.60	MOD00320007310MF	MOD00320007310MF-S80H52	MOD40320007310MF	EMC300252	EMR300220	RTR600310	7
32.50	32.60 - 32.10	MOD00325007310MF	MOD00325007310MF-S80H52	MOD40325007310MF	EMC300254	EMR300222	RTR600310	7
33.00	33.10 - 32.60	MOD00330007310MF	MOD00330007310MF-S80H52	MOD40330007310MF	EMC300256	EMR300224	RTR600310	7
33.50	33.60 - 33.10	MOD00335007310MF	MOD00335007310MF-S80H52	MOD40335007310MF	EMC300258	EMR300226	RTR600310	7
34.00	34.10 - 33.60	MOD00340007310MF	MOD00340007310MF-S80H52	MOD40340007310MF	EMC300260	EMR300228	RTR600310	7
34.50	34.60 - 34.10	MOD00345007310MF	MOD00345007310MF-S80H52	MOD40345007310MF	EMC300262	EMR300230	RTR600310	7
35.00	35.10 - 34.60	MOD00350007310MF	MOD00350007310MF-S80H52	MOD40350007310MF	EMC300264	EMR300232	RTR600310	7
35.50	35.60 - 35.10	MOD00355007310MF	MOD00355007310MF-S80H52	MOD40355007310MF	EMC300266	EMR300234	RTR600310	7
36.00	36.10 - 35.60	MOD00360007310MF	MOD00360007310MF-S80H52	MOD40360007310MF	EMC300268	EMR300236	RTR600310	7
36.50	36.60 - 36.10	MOD00365007310MF	MOD00365007310MF-S80H52	MOD40365007310MF	EMC300270	EMR300238	RTR600310	7
37.00	37.10 - 36.60	MOD00370007310MF	MOD00370007310MF-S80H52	MOD40370007310MF	EMC300272	EMR300240	RTR600310	7
37.50	37.60 - 37.10	MOD00375007310MF	MOD00375007310MF-S80H52	MOD40375007310MF	EMC300274	EMR300242	RTR600310	7
38.00	38.10 - 37.60	MOD00380007310MF	MOD00380007310MF-S80H52	MOD40380007310MF	EMC300276	EMR300244	RTR600310	7

# ROLLER BURNISHING TOOLS

EXTERNAL DIAMETER  
STRAIGHT SHAFTS

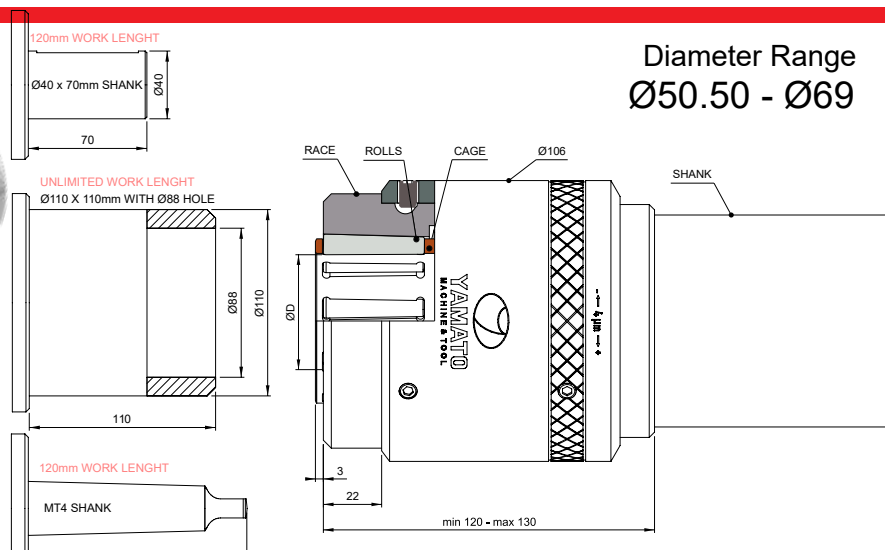


Diameter Range  
Ø38.50 - Ø50



Roller Burnishing Tools | Straight Shafts

ØD (mm)		TOOL CODE			SPARE PARTS			
Nominal	Range	Straight Shank		MT Shank	Cage	Race	Rolls	
		Ø40x70 solid (105 mm work length)	Ø80x90 with Ø52 internal hole (unlimited work length)	MT4 (105 mm work length)			code	qty
38.50	38.60 - 38.10	MOD00385009310MF	MOD00385009310MF-S80H52	MOD40385009310MF	EMC300278	EMR300246	RTR600310	9
39.00	39.10 - 38.60	MOD00390009310MF	MOD00390009310MF-S80H52	MOD40390009310MF	EMC300280	EMR300248	RTR600310	9
39.50	39.60 - 39.10	MOD00395009310MF	MOD00395009310MF-S80H52	MOD40395009310MF	EMC300282	EMR300250	RTR600310	9
40.00	40.10 - 39.60	MOD00400009310MF	MOD00400009310MF-S80H52	MOD40400009310MF	EMC300284	EMR300252	RTR600310	9
40.50	40.60 - 40.10	MOD00405009310MF	MOD00405009310MF-S80H52	MOD40405009310MF	EMC300286	EMR300254	RTR600310	9
41.00	41.10 - 40.60	MOD00410009310MF	MOD00410009310MF-S80H52	MOD40410009310MF	EMC300288	EMR300256	RTR600310	9
41.50	41.60 - 41.10	MOD00415009310MF	MOD00415009310MF-S80H52	MOD40415009310MF	EMC300290	EMR300258	RTR600310	9
42.00	42.10 - 41.60	MOD00420009310MF	MOD00420009310MF-S80H52	MOD40420009310MF	EMC300292	EMR300260	RTR600310	9
42.50	42.60 - 42.10	MOD00425009310MF	MOD00425009310MF-S80H52	MOD40425009310MF	EMC300294	EMR300262	RTR600310	9
43.00	43.10 - 42.60	MOD00430009310MF	MOD00430009310MF-S80H52	MOD40430009310MF	EMC300296	EMR300264	RTR600310	9
43.50	43.60 - 43.10	MOD00435009310MF	MOD00435009310MF-S80H52	MOD40435009310MF	EMC300298	EMR300266	RTR600310	9
44.00	44.10 - 43.60	MOD00440009310MF	MOD00440009310MF-S80H52	MOD40440009310MF	EMC300300	EMR300268	RTR600310	9
44.50	44.60 - 44.10	MOD00445009310MF	MOD00445009310MF-S80H52	MOD40445009310MF	EMC300302	EMR300270	RTR600310	9
45.00	45.10 - 44.60	MOD00450009310MF	MOD00450009310MF-S80H52	MOD40450009310MF	EMC300304	EMR300272	RTR600310	9
45.50	45.60 - 45.10	MOD00455009310MF	MOD00455009310MF-S80H52	MOD40455009310MF	EMC300306	EMR300274	RTR600310	9
46.00	46.10 - 45.60	MOD00460009310MF	MOD00460009310MF-S80H52	MOD40460009310MF	EMC300308	EMR300276	RTR600310	9
46.50	46.60 - 46.10	MOD00465009310MF	MOD00465009310MF-S80H52	MOD40465009310MF	EMC300310	EMR300278	RTR600310	9
47.00	47.10 - 46.60	MOD00470009310MF	MOD00470009310MF-S80H52	MOD40470009310MF	EMC300312	EMR300280	RTR600310	9
47.50	47.60 - 47.10	MOD00475009310MF	MOD00475009310MF-S80H52	MOD40475009310MF	EMC300314	EMR300282	RTR600310	9
48.00	48.10 - 47.60	MOD00480009310MF	MOD00480009310MF-S80H52	MOD40480009310MF	EMC300316	EMR300284	RTR600310	9
48.50	48.60 - 48.10	MOD00485009310MF	MOD00485009310MF-S80H52	MOD40485009310MF	EMC300318	EMR300286	RTR600310	9
49.00	49.10 - 48.60	MOD00490009310MF	MOD00490009310MF-S80H52	MOD40490009310MF	EMC300320	EMR300288	RTR600310	9
49.50	49.60 - 49.10	MOD00495009310MF	MOD00495009310MF-S80H52	MOD40495009310MF	EMC300322	EMR300290	RTR600310	9
50.00	50.10 - 49.60	MOD00500009310MF	MOD00500009310MF-S80H52	MOD40500009310MF	EMC300324	EMR300292	RTR600310	9



Diameter Range  
Ø50.50 - Ø69

Roller Burnishing Tools | Straight Shafts

ØD (mm)		TOOL CODE			SPARE PARTS				
Nominal	Range	Straight Shank		MT Shank	Cage	Race	Rolls		
		Ø40x70 solid (120 mm work length)	Ø110x110 with Ø88 internal hole (unlimited work length)	MT4 (120 mm work length)			code	qty	
50.50	50.60 - 50.10	MOD00505011310MF	MOD00505011310MF-S110H88	MOD40505011310MF	EMC400326	EMR400294	RTR600310	11	
51.00	51.10 - 50.60	MOD00510011310MF	MOD00510011310MF-S110H88	MOD40510011310MF	EMC400328	EMR400296	RTR600310	11	
51.50	51.60 - 51.10	MOD00515011310MF	MOD00515011310MF-S110H88	MOD40515011310MF	EMC400330	EMR400298	RTR600310	11	
52.00	52.10 - 51.60	MOD00520011310MF	MOD00520011310MF-S110H88	MOD40520011310MF	EMC400332	EMR400300	RTR600310	11	
52.50	52.60 - 52.10	MOD00525011310MF	MOD00525011310MF-S110H88	MOD40525011310MF	EMC400334	EMR400302	RTR600310	11	
53.00	53.10 - 52.60	MOD00530011310MF	MOD00530011310MF-S110H88	MOD40530011310MF	EMC400336	EMR400304	RTR600310	11	
53.50	53.60 - 53.10	MOD00535011310MF	MOD00535011310MF-S110H88	MOD40535011310MF	EMC400338	EMR400306	RTR600310	11	
54.00	54.10 - 53.60	MOD00540011310MF	MOD00540011310MF-S110H88	MOD40540011310MF	EMC400340	EMR400308	RTR600310	11	
54.50	54.60 - 54.10	MOD00545011310MF	MOD00545011310MF-S110H88	MOD40545011310MF	EMC400342	EMR400310	RTR600310	11	
55.00	55.10 - 54.60	MOD00550011310MF	MOD00550011310MF-S110H88	MOD40550011310MF	EMC400344	EMR400312	RTR600310	11	
55.50	55.60 - 55.10	MOD00555011310MF	MOD00555011310MF-S110H88	MOD40555011310MF	EMC400346	EMR400314	RTR600310	11	
56.00	56.10 - 55.60	MOD00560011310MF	MOD00560011310MF-S110H88	MOD40560011310MF	EMC400348	EMR400316	RTR600310	11	
56.50	56.60 - 56.10	MOD00565011310MF	MOD00565011310MF-S110H88	MOD40565011310MF	EMC400350	EMR400318	RTR600310	11	
57.00	57.10 - 56.60	MOD00570011310MF	MOD00570011310MF-S110H88	MOD40570011310MF	EMC400352	EMR400320	RTR600310	11	
57.50	57.60 - 57.10	MOD00575011310MF	MOD00575011310MF-S110H88	MOD40575011310MF	EMC400354	EMR400322	RTR600310	11	
58.00	58.10 - 57.60	MOD00580011310MF	MOD00580011310MF-S110H88	MOD40580011310MF	EMC400356	EMR400324	RTR600310	11	
58.50	58.60 - 58.10	MOD00585011310MF	MOD00585011310MF-S110H88	MOD40585011310MF	EMC400358	EMR400326	RTR600310	11	
59.00	59.10 - 58.60	MOD00590011310MF	MOD00590011310MF-S110H88	MOD40590011310MF	EMC400360	EMR400328	RTR600310	11	
59.50	59.60 - 59.10	MOD00595011310MF	MOD00595011310MF-S110H88	MOD40595011310MF	EMC400362	EMR400330	RTR600310	11	
60.00	60.10 - 59.60	MOD00600011310MF	MOD00600011310MF-S110H88	MOD40600011310MF	EMC400364	EMR400332	RTR600310	11	
60.50	60.60 - 60.10	MOD00605011310MF	MOD00605011310MF-S110H88	MOD40605011310MF	EMC400366	EMR400334	RTR600310	11	
61.00	61.10 - 60.60	MOD00610011310MF	MOD00610011310MF-S110H88	MOD40610011310MF	EMC400368	EMR400336	RTR600310	11	
61.50	61.60 - 61.10	MOD00615011310MF	MOD00615011310MF-S110H88	MOD40615011310MF	EMC400370	EMR400338	RTR600310	11	
62.00	62.10 - 61.60	MOD00620011310MF	MOD00620011310MF-S110H88	MOD40620011310MF	EMC400372	EMR400340	RTR600310	11	
62.50	62.60 - 62.10	MOD00625011310MF	MOD00625011310MF-S110H88	MOD40625011310MF	EMC400374	EMR400342	RTR600310	11	
63.00	63.10 - 62.60	MOD00630011310MF	MOD00630011310MF-S110H88	MOD40630011310MF	EMC400376	EMR400344	RTR600310	11	
63.50	63.60 - 63.10	MOD00635011310MF	MOD00635011310MF-S110H88	MOD40635011310MF	EMC400378	EMR400346	RTR600310	11	
64.00	64.10 - 63.60	MOD00640011310MF	MOD00640011310MF-S110H88	MOD40640011310MF	EMC400380	EMR400348	RTR600310	11	
64.50	64.60 - 64.10	MOD00645011310MF	MOD00645011310MF-S110H88	MOD40645011310MF	EMC400382	EMR400350	RTR600310	11	
65.00	65.10 - 64.60	MOD00650011310MF	MOD00650011310MF-S110H88	MOD40650011310MF	EMC400384	EMR400352	RTR600310	11	
65.50	65.60 - 65.10	MOD00655011310MF	MOD00655011310MF-S110H88	MOD40655011310MF	EMC400386	EMR400354	RTR600310	11	
66.00	66.10 - 65.60	MOD00660011310MF	MOD00660011310MF-S110H88	MOD40660011310MF	EMC400388	EMR400356	RTR600310	11	
66.50	66.60 - 66.10	MOD00665011310MF	MOD00665011310MF-S110H88	MOD40665011310MF	EMC400390	EMR400358	RTR600310	11	
67.00	67.10 - 66.60	MOD00670011310MF	MOD00670011310MF-S110H88	MOD40670011310MF	EMC400392	EMR400360	RTR600310	11	
67.50	67.60 - 67.10	MOD00675011310MF	MOD00675011310MF-S110H88	MOD40675011310MF	EMC400394	EMR400362	RTR600310	11	
68.00	68.10 - 67.60	MOD00680011310MF	MOD00680011310MF-S110H88	MOD40680011310MF	EMC400396	EMR400364	RTR600310	11	
68.50	68.60 - 68.10	MOD00685011310MF	MOD00685011310MF-S110H88	MOD40685011310MF	EMC400398	EMR400366	RTR600310	11	
69.00	69.10 - 68.60	MOD00690011310MF	MOD00690011310MF-S110H88	MOD40690011310MF	EMC400400	EMR400368	RTR600310	11	

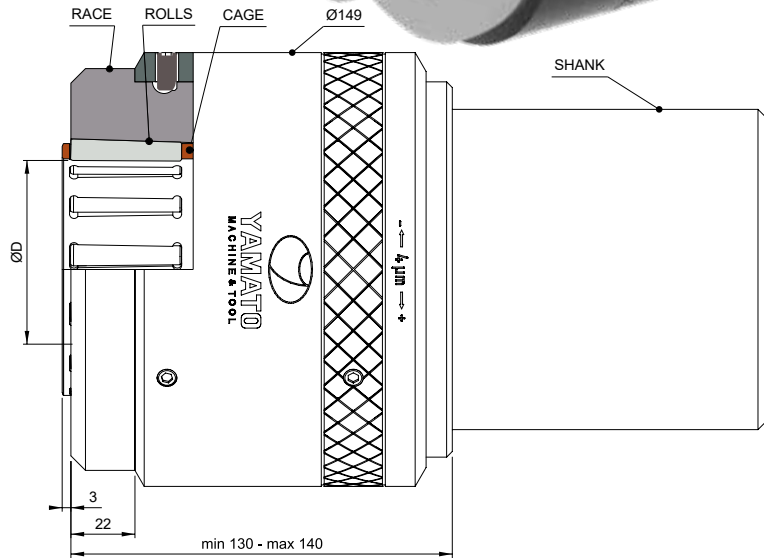
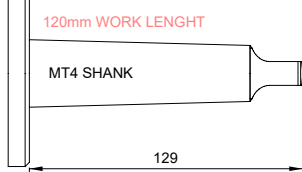
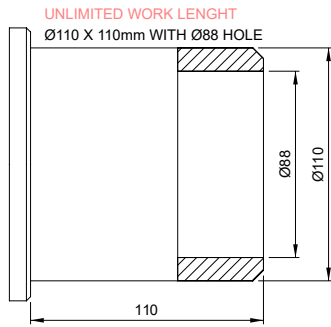
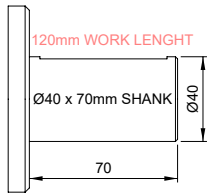
# ROLLER BURNISHING TOOLS

EXTERNAL DIAMETER  
STRAIGHT SHAFTS



**YAMATO**  
MACHINE & TOOL

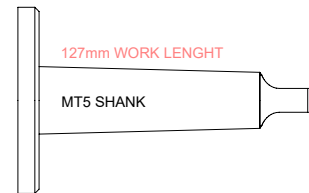
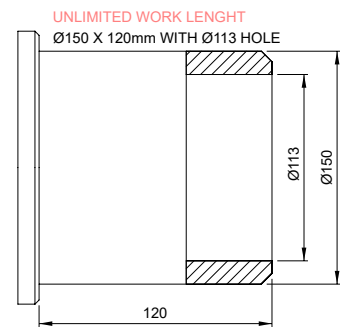
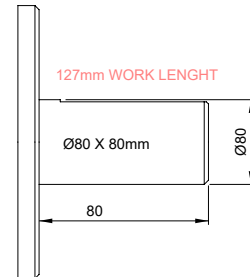
Diameter Range  $\varnothing 69.50 - \varnothing 85$



Roller Burnishing Tools | Straight Shafts

$\varnothing D$ (mm)		TOOL CODE			SPARE PARTS			
Nominal	Range	Straight Shank		MT Shank	Cage	Race	Rolls	
		$\varnothing 40 \times 70$ solid (120 mm work length)	$\varnothing 110 \times 110$ with $\varnothing 88$ internal hole (unlimited work length)	MT4 (120 mm work length)			code	qty
69.50	69.60 - 69.10	MOD00695013310MF	MOD00695013310MF-S110H88	MOD40695013310MF	EMC400402	EMR400370	RTR600310	13
70.00	70.10 - 69.60	MOD00700013310MF	MOD00700013310MF-S110H88	MOD40700013310MF	EMC400404	EMR400372	RTR600310	13
70.50	70.60 - 70.10	MOD00705013310MF	MOD00705013310MF-S110H88	MOD40705013310MF	EMC400406	EMR400374	RTR600310	13
71.00	71.10 - 70.60	MOD00710013310MF	MOD00710013310MF-S110H88	MOD40710013310MF	EMC400408	EMR400376	RTR600310	13
71.50	71.60 - 71.10	MOD00715013310MF	MOD00715013310MF-S110H88	MOD40715013310MF	EMC400410	EMR400378	RTR600310	13
72.00	72.10 - 71.60	MOD00720013310MF	MOD00720013310MF-S110H88	MOD40720013310MF	EMC400412	EMR400380	RTR600310	13
72.50	72.60 - 72.10	MOD00725013310MF	MOD00725013310MF-S110H88	MOD40725013310MF	EMC400414	EMR400382	RTR600310	13
73.00	73.10 - 72.60	MOD00730013310MF	MOD00730013310MF-S110H88	MOD40730013310MF	EMC400416	EMR400384	RTR600310	13
73.50	73.60 - 73.10	MOD00735013310MF	MOD00735013310MF-S110H88	MOD40735013310MF	EMC400418	EMR400386	RTR600310	13
74.00	74.10 - 73.60	MOD00740013310MF	MOD00740013310MF-S110H88	MOD40740013310MF	EMC400420	EMR400388	RTR600310	13
74.50	74.60 - 74.10	MOD00745013310MF	MOD00745013310MF-S110H88	MOD40745013310MF	EMC400422	EMR400390	RTR600310	13
75.00	75.10 - 74.60	MOD00750013310MF	MOD00750013310MF-S110H88	MOD40750013310MF	EMC400424	EMR400392	RTR600310	13
75.50	75.60 - 75.10	MOD00755013310MF	MOD00755013310MF-S110H88	MOD40755013310MF	EMC400426	EMR400394	RTR600310	13
76.00	76.10 - 75.60	MOD00760013310MF	MOD00760013310MF-S110H88	MOD40760013310MF	EMC400428	EMR400396	RTR600310	13
76.50	76.60 - 76.10	MOD00765013310MF	MOD00765013310MF-S110H88	MOD40765013310MF	EMC400430	EMR400398	RTR600310	13
77.00	77.10 - 76.60	MOD00770013310MF	MOD00770013310MF-S110H88	MOD40770013310MF	EMC400432	EMR400400	RTR600310	13
77.50	77.60 - 77.10	MOD00775013310MF	MOD00775013310MF-S110H88	MOD40775013310MF	EMC400434	EMR400402	RTR600310	13
78.00	78.10 - 77.60	MOD00780013310MF	MOD00780013310MF-S110H88	MOD40780013310MF	EMC400436	EMR400404	RTR600310	13
78.50	78.60 - 78.10	MOD00785013310MF	MOD00785013310MF-S110H88	MOD40785013310MF	EMC400438	EMR400406	RTR600310	13
79.00	79.10 - 78.60	MOD00790013310MF	MOD00790013310MF-S110H88	MOD40790013310MF	EMC400440	EMR400408	RTR600310	13
79.50	79.60 - 79.10	MOD00795013310MF	MOD00795013310MF-S110H88	MOD40795013310MF	EMC400442	EMR400410	RTR600310	13
80.00	80.10 - 79.60	MOD00800013310MF	MOD00800013310MF-S110H88	MOD40800013310MF	EMC400444	EMR400412	RTR600310	13
80.50	80.60 - 80.10	MOD00805013310MF	MOD00805013310MF-S110H88	MOD40805013310MF	EMC400446	EMR400414	RTR600310	13
81.00	81.10 - 80.60	MOD00810013310MF	MOD00810013310MF-S110H88	MOD40810013310MF	EMC400448	EMR400416	RTR600310	13
81.50	81.60 - 81.10	MOD00815013310MF	MOD00815013310MF-S110H88	MOD40815013310MF	EMC400450	EMR400418	RTR600310	13

Ø85.50 - Ø95 Diameter Range



Roller Burnishing Tools   Straight Shafts									
ØD (mm)		TOOL CODE				SPARE PARTS			
Nominal	Range	Straight Shank		MT Shank		Cage	Race	Rolls	
		Ø80x80 solid (127 mm work length)	Ø150x120 with Ø113 internal hole (unlimited work length)	MT5 (127 mm work length)				code	qty
85.50	85.60 - 85.10	MOD00855009530MF	MOD00855009530MF-S150H113	MOD50855009530MF	EMC500466	EMR500434	RTR600530	9	
86.00	86.10 - 85.60	MOD00860009530MF	MOD00860009530MF-S150H113	MOD50860009530MF	EMC500468	EMR500436	RTR600530	9	
86.50	86.60 - 86.10	MOD00865009530MF	MOD00865009530MF-S150H113	MOD50865009530MF	EMC500470	EMR500438	RTR600530	9	
87.00	87.10 - 86.60	MOD00870009530MF	MOD00870009530MF-S150H113	MOD50870009530MF	EMC500472	EMR500440	RTR600530	9	
87.50	87.60 - 87.10	MOD00875009530MF	MOD00875009530MF-S150H113	MOD50875009530MF	EMC500474	EMR500442	RTR600530	9	
88.00	88.10 - 87.60	MOD00880009530MF	MOD00880009530MF-S150H113	MOD50880009530MF	EMC500476	EMR500444	RTR600530	9	
88.50	88.60 - 88.10	MOD00885009530MF	MOD00885009530MF-S150H113	MOD50885009530MF	EMC500478	EMR500446	RTR600530	9	
89.00	89.10 - 88.60	MOD00890009530MF	MOD00890009530MF-S150H113	MOD50890009530MF	EMC500480	EMR500448	RTR600530	9	
89.50	89.60 - 89.10	MOD00895009530MF	MOD00895009530MF-S150H113	MOD50895009530MF	EMC500482	EMR500450	RTR600530	9	
90.00	90.10 - 89.60	MOD00900009530MF	MOD00900009530MF-S150H113	MOD50900009530MF	EMC500484	EMR500452	RTR600530	9	
90.50	90.60 - 90.10	MOD00905009530MF	MOD00905009530MF-S150H113	MOD50905009530MF	EMC500486	EMR500454	RTR600530	9	
91.00	91.10 - 90.60	MOD00910009530MF	MOD00910009530MF-S150H113	MOD50910009530MF	EMC500488	EMR500456	RTR600530	9	
91.50	91.60 - 91.10	MOD00915009530MF	MOD00915009530MF-S150H113	MOD50915009530MF	EMC500490	EMR500458	RTR600530	9	
92.00	92.10 - 91.60	MOD00920009530MF	MOD00920009530MF-S150H113	MOD50920009530MF	EMC500492	EMR500460	RTR600530	9	
92.50	92.60 - 92.10	MOD00925009530MF	MOD00925009530MF-S150H113	MOD50925009530MF	EMC500494	EMR500462	RTR600530	9	
93.00	93.10 - 92.60	MOD00930009530MF	MOD00930009530MF-S150H113	MOD50930009530MF	EMC500496	EMR500464	RTR600530	9	
93.50	93.60 - 93.10	MOD00935009530MF	MOD00935009530MF-S150H113	MOD50935009530MF	EMC500498	EMR500466	RTR600530	9	
94.00	94.10 - 93.60	MOD00940009530MF	MOD00940009530MF-S150H113	MOD50940009530MF	EMC500500	EMR500468	RTR600530	9	
94.50	94.60 - 94.10	MOD00945009530MF	MOD00945009530MF-S150H113	MOD50945009530MF	EMC500502	EMR500470	RTR600530	9	
95.00	95.10 - 94.60	MOD00950009530MF	MOD00950009530MF-S150H113	MOD50950009530MF	EMC500504	EMR500472	RTR600530	9	

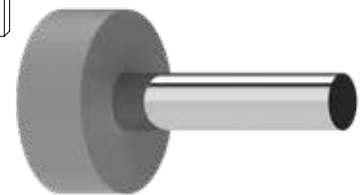
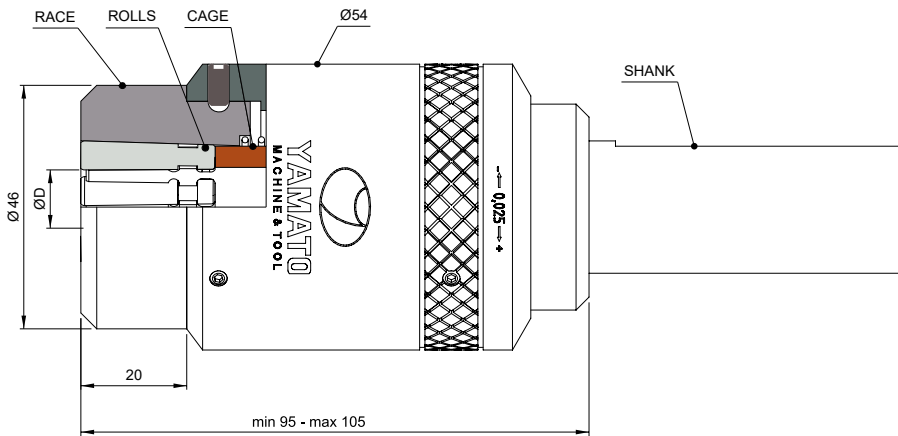
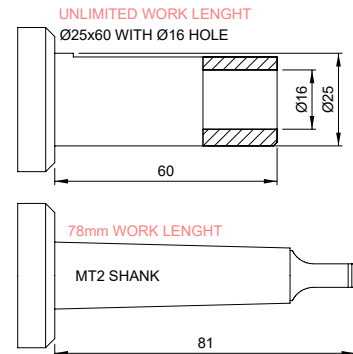
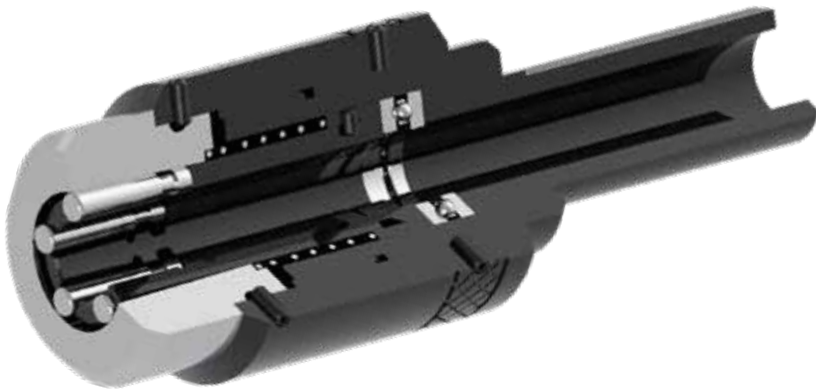
# ROLLER BURNISHING TOOLS

EXTERNAL DIAMETER  
STEPPED SHAFTS



**YAMATO**  
MACHINE & TOOL

Diameter Range  $\varnothing 3 - \varnothing 14$



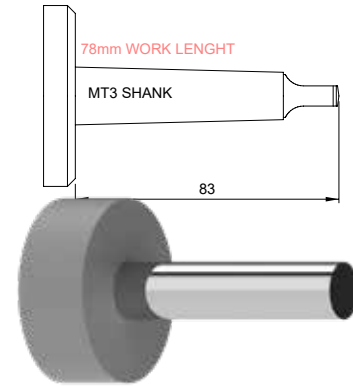
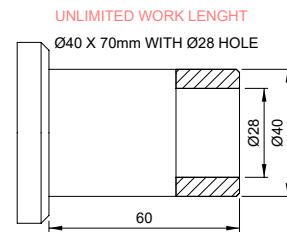
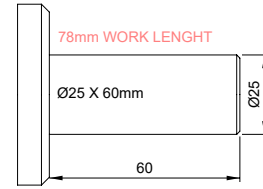
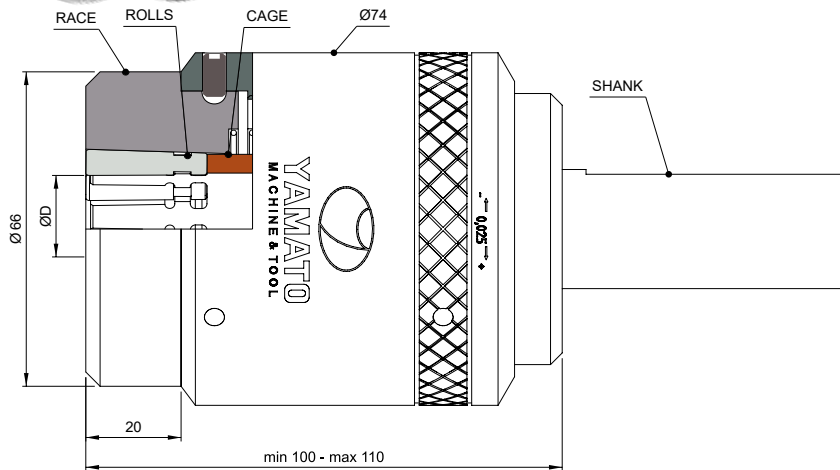
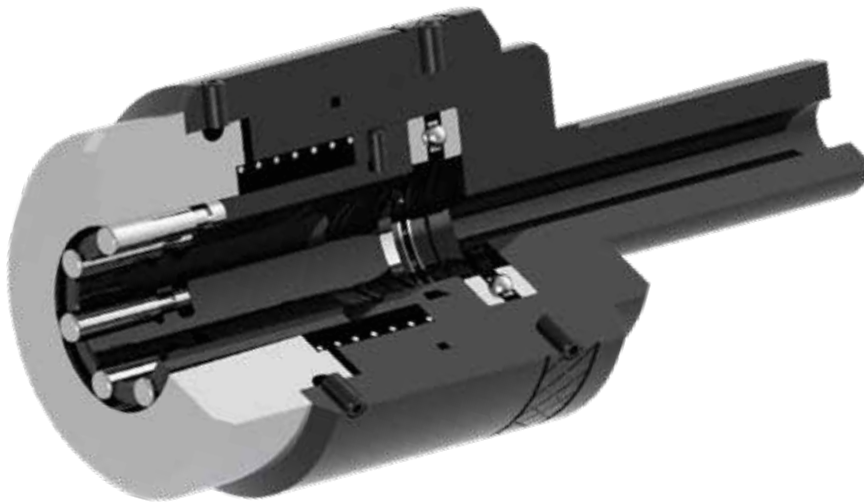
EXTERNAL DIAMETER  
STEPPED SHAFTS

Roller Burnishing Tools | Stepped Shafts

ØD (mm)		TOOL CODE		SPARE PARTS			
Nominal	Range	Straight Shank	MT Shank	Cage	Race	Rolls	
		Ø25x60 with Ø16 hole (unlimited work length)	MT2 (78 mm work length)			code	qty
3.00	3.00 - 2.70	MOD00030003218BMF	MOD20030003218BMF	EBC100136	EBR100104	RBR620218	3
3.50	3.50 - 3.20	MOD00035003218BMF	MOD20035003218BMF	EBC100138	EBR100106	RBR620218	3
4.00	4.00 - 3.70	MOD00040003218BMF	MOD20040003218BMF	EBC100140	EBR100108	RBR620218	3
4.50	4.50 - 4.20	MOD00045003218BMF	MOD20045003218BMF	EBC100142	EBR100110	RBR620218	3
5.00	5.00 - 4.70	MOD00050003218BMF	MOD20050003218BMF	EBC100144	EBR100112	RBR620218	3
5.50	5.50 - 5.20	MOD00055003218BMF	MOD20055003218BMF	EBC100146	EBR100114	RBR620218	3
6.00	6.00 - 5.70	MOD00060003218BMF	MOD20060003218BMF	EBC100148	EBR100116	RBR620218	3
6.50	6.50 - 6.20	MOD00065003218BMF	MOD20065003218BMF	EBC100150	EBR100118	RBR620218	3
7.00	7.00 - 6.70	MOD00070003218BMF	MOD20070003218BMF	EBC100152	EBR100120	RBR620218	3
7.50	7.50 - 7.20	MOD00075003218BMF	MOD20075003218BMF	EBC100154	EBR100122	RBR620218	3
8.00	8.00 - 7.70	MOD00080003218BMF	MOD20080003218BMF	EBC100156	EBR100124	RBR620218	3
8.50	8.50 - 8.20	MOD00085003218BMF	MOD20085003218BMF	EBC100158	EBR100126	RBR620218	3
9.00	9.00 - 8.70	MOD00090004218BMF	MOD20090004218BMF	EBC100160	EBR100128	RBR620218	4
9.50	9.50 - 9.20	MOD00095004218BMF	MOD20095004218BMF	EBC100162	EBR100130	RBR620218	4
10.00	10.00 - 9.70	MOD00100004218BMF	MOD20100004218BMF	EBC100164	EBR100132	RBR620218	4
10.50	10.50 - 10.20	MOD00105004218BMF	MOD20105004218BMF	EBC100166	EBR100134	RBR620218	4
11.00	11.00 - 10.70	MOD00110004218BMF	MOD20110004218BMF	EBC100168	EBR100136	RBR620218	4
11.50	11.50 - 11.20	MOD00115004218BMF	MOD20115004218BMF	EBC100170	EBR100138	RBR620218	4
12.00	12.00 - 11.70	MOD00120005218BMF	MOD20120005218BMF	EBC100172	EBR100140	RBR620218	5
12.50	12.50 - 12.20	MOD00125005218BMF	MOD20125005218BMF	EBC100174	EBR100142	RBR620218	5
13.00	13.00 - 12.70	MOD00130005218BMF	MOD20130005218BMF	EBC100176	EBR100144	RBR620218	5
13.50	13.50 - 13.20	MOD00135005218BMF	MOD20135005218BMF	EBC100178	EBR100146	RBR620218	5
14.00	14.00 - 13.70	MOD00140005218BMF	MOD20140005218BMF	EBC100180	EBR100148	RBR620218	5



Ø14.50 - Ø25 Diameter Range



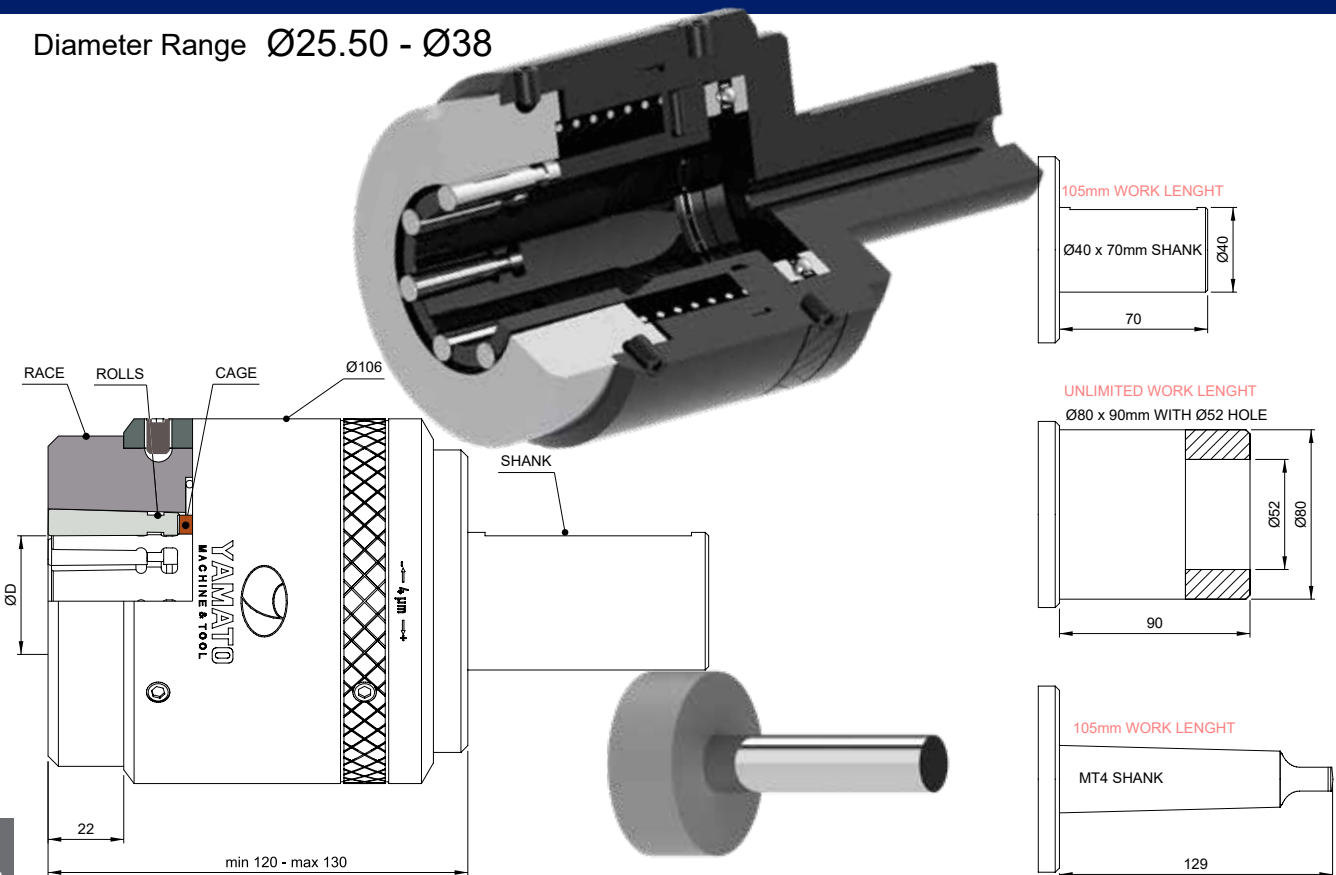
Roller Burnishing Tools   Stepped Shafts									
ØD (mm)		TOOL CODE			SPARE PARTS				
Nominal	Range	Straight Shank		MT Shank	Cage	Race	Rolls		
		Ø25x60 solid (78 mm work length)	Ø40x70 with Ø28 internal hole (unlimited work length)	MT3 (78 mm work length)			code	qty	
14.50	14.50 - 14.20	MOD00145005218BMF	MOD00145005218BMF-S40H28	MOD30145005218BMF	EBC200182	EBR200150	RBR620218	5	
15.00	15.00 - 14.70	MOD00150005218BMF	MOD00150005218BMF-S40H28	MOD30150005218BMF	EBC200184	EBR200152	RBR620218	5	
15.50	15.50 - 15.20	MOD00155005218BMF	MOD00155005218BMF-S40H28	MOD30155005218BMF	EBC200186	EBR200154	RBR620218	5	
16.00	16.00 - 15.70	MOD00160005218BMF	MOD00160005218BMF-S40H28	MOD30160005218BMF	EBC200188	EBR200156	RBR620218	5	
16.50	16.50 - 16.20	MOD00165005218BMF	MOD00165005218BMF-S40H28	MOD30165005218BMF	EBC200190	EBR200158	RBR620218	5	
17.00	17.00 - 16.70	MOD00170005218BMF	MOD00170005218BMF-S40H28	MOD30170005218BMF	EBC200192	EBR200160	RBR620218	5	
17.50	17.50 - 17.20	MOD00175005218BMF	MOD00175005218BMF-S40H28	MOD30175005218BMF	EBC200194	EBR200162	RBR620218	5	
18.00	18.00 - 17.70	MOD00180006218BMF	MOD00180006218BMF-S40H28	MOD30180006218BMF	EBC200196	EBR200164	RBR620218	6	
18.50	18.50 - 18.20	MOD00185006218BMF	MOD00185006218BMF-S40H28	MOD30185006218BMF	EBC200198	EBR200166	RBR620218	6	
19.00	19.00 - 18.70	MOD00190006218BMF	MOD00190006218BMF-S40H28	MOD30190006218BMF	EBC200200	EBR200168	RBR620218	6	
19.50	19.50 - 19.20	MOD00195006218BMF	MOD00195006218BMF-S40H28	MOD30195006218BMF	EBC200202	EBR200170	RBR620218	6	
20.00	20.00 - 19.70	MOD00200006218BMF	MOD00200006218BMF-S40H28	MOD30200006218BMF	EBC200204	EBR200172	RBR620218	6	
20.50	20.50 - 20.20	MOD00205006218BMF	MOD00205006218BMF-S40H28	MOD30205006218BMF	EBC200206	EBR200174	RBR620218	6	
21.00	21.00 - 20.70	MOD00210006218BMF	MOD00210006218BMF-S40H28	MOD30210006218BMF	EBC200208	EBR200176	RBR620218	6	
21.50	21.50 - 21.20	MOD00215006218BMF	MOD00215006218BMF-S40H28	MOD30215006218BMF	EBC200210	EBR200178	RBR620218	6	
22.00	22.00 - 21.70	MOD00220007218BMF	MOD00220007218BMF-S40H28	MOD30220007218BMF	EBC200212	EBR200180	RBR620218	7	
22.50	22.50 - 22.20	MOD00225007218BMF	MOD00225007218BMF-S40H28	MOD30225007218BMF	EBC200214	EBR200182	RBR620218	7	
23.00	23.00 - 22.70	MOD00230007218BMF	MOD00230007218BMF-S40H28	MOD30230007218BMF	EBC200216	EBR200184	RBR620218	7	
23.50	23.50 - 23.20	MOD00235007218BMF	MOD00235007218BMF-S40H28	MOD30235007218BMF	EBC200218	EBR200186	RBR620218	7	
24.00	24.00 - 23.70	MOD00240007218BMF	MOD00240007218BMF-S40H28	MOD30240007218BMF	EBC200220	EBR200188	RBR620218	7	
24.50	24.50 - 24.20	MOD00245007218BMF	MOD00245007218BMF-S40H28	MOD30245007218BMF	EBC200222	EBR200190	RBR620218	7	
25.00	25.00 - 24.70	MOD00250007218BMF	MOD00250007218BMF-S40H28	MOD30250007218BMF	EBC200224	EBR200192	RBR620218	7	

# ROLLER BURNISHING TOOLS

EXTERNAL DIAMETER  
STEPPED SHAFTS



Diameter Range  $\varnothing 25.50 - \varnothing 38$

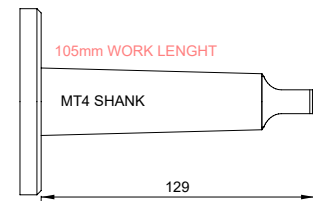
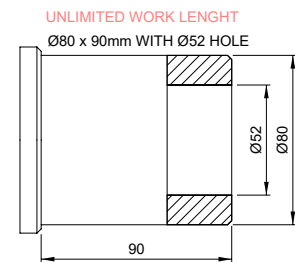
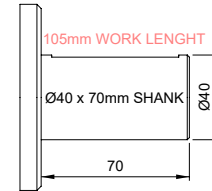
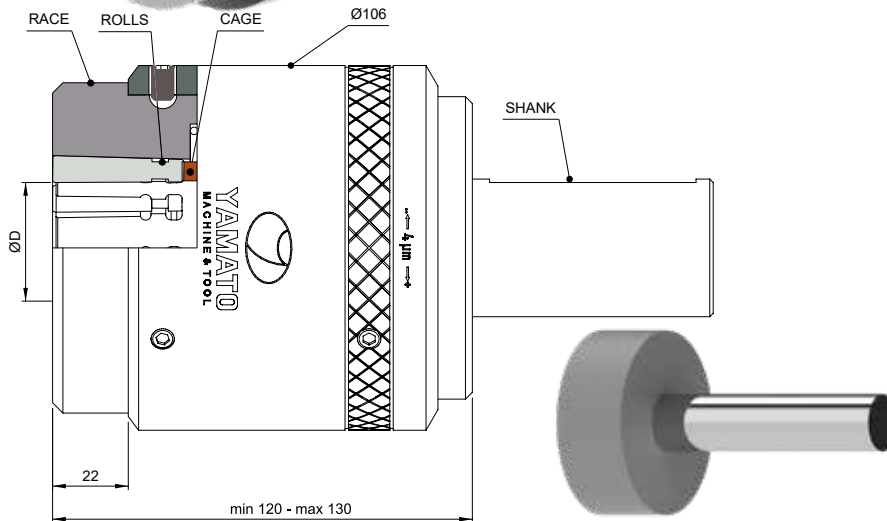
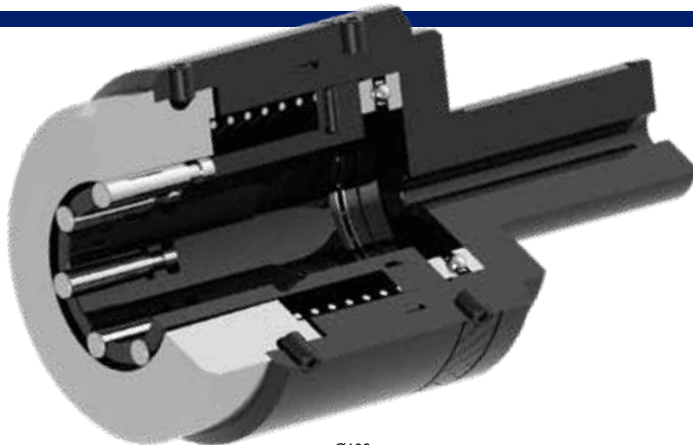


Roller Burnishing Tools | Stepped Shafts

ØD (mm)		TOOL CODE			SPARE PARTS			
Nominal	Range	Straight Shank		MT Shank	Cage	Race	Rolls	
		Ø40x70 solid (105 mm work length)	Ø80x90 with Ø52 internal hole (unlimited work length)	MT4 (105 mm work length)			code	qty
25.50	25.50 - 25.10	MOD00255007310BMF	MOD00255007310BMF-S80H52	MOD40255007310BMF	EBC300226	EBR300194	RBR620310	7
26.00	26.00 - 25.60	MOD00260007310BMF	MOD00260007310BMF-S80H52	MOD40260007310BMF	EBC300228	EBR300196	RBR620310	7
26.50	26.50 - 26.10	MOD00265007310BMF	MOD00265007310BMF-S80H52	MOD40265007310BMF	EBC300230	EBR300198	RBR620310	7
27.00	27.00 - 26.60	MOD00270007310BMF	MOD00270007310BMF-S80H52	MOD40270007310BMF	EBC300232	EBR300200	RBR620310	7
27.50	27.50 - 27.10	MOD00275007310BMF	MOD00275007310BMF-S80H52	MOD40275007310BMF	EBC300234	EBR300202	RBR620310	7
28.00	28.00 - 27.60	MOD00280007310BMF	MOD00280007310BMF-S80H52	MOD40280007310BMF	EBC300236	EBR300204	RBR620310	7
28.50	28.50 - 28.10	MOD00285007310BMF	MOD00285007310BMF-S80H52	MOD40285007310BMF	EBC300238	EBR300206	RBR620310	7
29.00	29.00 - 28.60	MOD00290007310BMF	MOD00290007310BMF-S80H52	MOD40290007310BMF	EBC300240	EBR300208	RBR620310	7
29.50	29.50 - 29.10	MOD00295007310BMF	MOD00295007310BMF-S80H52	MOD40295007310BMF	EBC300242	EBR300210	RBR620310	7
30.00	30.00 - 29.60	MOD00300007310BMF	MOD00300007310BMF-S80H52	MOD40300007310BMF	EBC300244	EBR300212	RBR620310	7
30.50	30.50 - 30.10	MOD00305007310BMF	MOD00305007310BMF-S80H52	MOD40305007310BMF	EBC300246	EBR300214	RBR620310	7
31.00	31.00 - 30.60	MOD00310007310BMF	MOD00310007310BMF-S80H52	MOD40310007310BMF	EBC300248	EBR300216	RBR620310	7
31.50	31.50 - 31.10	MOD00315007310BMF	MOD00315007310BMF-S80H52	MOD40315007310BMF	EBC300250	EBR300218	RBR620310	7
32.00	32.00 - 31.60	MOD00320007310BMF	MOD00320007310BMF-S80H52	MOD40320007310BMF	EBC300252	EBR300220	RBR620310	7
32.50	32.50 - 32.10	MOD00325007310BMF	MOD00325007310BMF-S80H52	MOD40325007310BMF	EBC300254	EBR300222	RBR620310	7
33.00	33.00 - 32.60	MOD00330007310BMF	MOD00330007310BMF-S80H52	MOD40330007310BMF	EBC300256	EBR300224	RBR620310	7
33.50	33.50 - 33.10	MOD00335007310BMF	MOD00335007310BMF-S80H52	MOD40335007310BMF	EBC300258	EBR300226	RBR620310	7
34.00	34.00 - 33.60	MOD00340007310BMF	MOD00340007310BMF-S80H52	MOD40340007310BMF	EBC300260	EBR300228	RBR620310	7
34.50	34.50 - 34.10	MOD00345007310BMF	MOD00345007310BMF-S80H52	MOD40345007310BMF	EBC300262	EBR300230	RBR620310	7
35.00	35.00 - 34.60	MOD00350007310BMF	MOD00350007310BMF-S80H52	MOD40350007310BMF	EBC300264	EBR300232	RBR620310	7
35.50	35.50 - 35.10	MOD00355007310BMF	MOD00355007310BMF-S80H52	MOD40355007310BMF	EBC300266	EBR300234	RBR620310	7
36.00	36.00 - 35.60	MOD00360007310BMF	MOD00360007310BMF-S80H52	MOD40360007310BMF	EBC300268	EBR300236	RBR620310	7
36.50	36.50 - 36.10	MOD00365007310BMF	MOD00365007310BMF-S80H52	MOD40365007310BMF	EBC300270	EBR300238	RBR620310	7
37.00	37.00 - 36.60	MOD00370007310BMF	MOD00370007310BMF-S80H52	MOD40370007310BMF	EBC300272	EBR300240	RBR620310	7
37.50	37.50 - 37.10	MOD00375007310BMF	MOD00375007310BMF-S80H52	MOD40375007310BMF	EBC300274	EBR300242	RBR620310	7
38.00	38.00 - 37.60	MOD00380007310BMF	MOD00380007310BMF-S80H52	MOD40380007310BMF	EBC300276	EBR300244	RBR620310	7

EXTERNAL DIAMETER  
STEPPED SHAFTS

Ø38.50 - Ø50 Diameter Range



Roller Burnishing Tools | Stepped Shafts

ØD (mm)		TOOL CODE			SPARE PARTS			
Nominal	Range	Straight Shank		MT Shank	Cage	Race	Rolls	
		Ø40x70 solid (105 mm work length)	Ø80x90 with Ø52 internal hole (unlimited work length)	MT4 (105 mm work length)			code	qty
38.50	38.50 - 38.10	MOD00385009310BMF	MOD00385009310BMF-S80H52	MOD40385009310BMF	EBC300278	EBR300246	RBR620310	9
39.00	39.00 - 38.60	MOD00390009310BMF	MOD00390009310BMF-S80H52	MOD40390009310BMF	EBC300280	EBR300248	RBR620310	9
39.50	39.50 - 39.10	MOD00395009310BMF	MOD00395009310BMF-S80H52	MOD40395009310BMF	EBC300282	EBR300250	RBR620310	9
40.00	40.00 - 39.60	MOD00400009310BMF	MOD00400009310BMF-S80H52	MOD40400009310BMF	EBC300284	EBR300252	RBR620310	9
40.50	40.50 - 40.10	MOD00405009310BMF	MOD00405009310BMF-S80H52	MOD40405009310BMF	EBC300286	EBR300254	RBR620310	9
41.00	41.00 - 40.60	MOD00410009310BMF	MOD00410009310BMF-S80H52	MOD40410009310BMF	EBC300288	EBR300256	RBR620310	9
41.50	41.50 - 41.10	MOD00415009310BMF	MOD00415009310BMF-S80H52	MOD40415009310BMF	EBC300290	EBR300258	RBR620310	9
42.00	42.00 - 41.60	MOD00420009310BMF	MOD00420009310BMF-S80H52	MOD40420009310BMF	EBC300292	EBR300260	RBR620310	9
42.50	42.50 - 42.10	MOD00425009310BMF	MOD00425009310BMF-S80H52	MOD40425009310BMF	EBC300294	EBR300262	RBR620310	9
43.00	43.00 - 42.60	MOD00430009310BMF	MOD00430009310BMF-S80H52	MOD40430009310BMF	EBC300296	EBR300264	RBR620310	9
43.50	43.50 - 43.10	MOD00435009310BMF	MOD00435009310BMF-S80H52	MOD40435009310BMF	EBC300298	EBR300266	RBR620310	9
44.00	44.00 - 43.60	MOD00440009310BMF	MOD00440009310BMF-S80H52	MOD40440009310BMF	EBC300300	EBR300268	RBR620310	9
44.50	44.50 - 44.10	MOD00445009310BMF	MOD00445009310BMF-S80H52	MOD40445009310BMF	EBC300302	EBR300270	RBR620310	9
45.00	45.00 - 44.60	MOD00450009310BMF	MOD00450009310BMF-S80H52	MOD40450009310BMF	EBC300304	EBR300272	RBR620310	9
45.50	45.50 - 45.10	MOD00455009310BMF	MOD00455009310BMF-S80H52	MOD40455009310BMF	EBC300306	EBR300274	RBR620310	9
46.00	46.00 - 45.60	MOD00460009310BMF	MOD00460009310BMF-S80H52	MOD40460009310BMF	EBC300308	EBR300276	RBR620310	9
46.50	46.50 - 46.10	MOD00465009310BMF	MOD00465009310BMF-S80H52	MOD40465009310BMF	EBC300310	EBR300278	RBR620310	9
47.00	47.00 - 46.60	MOD00470009310BMF	MOD00470009310BMF-S80H52	MOD40470009310BMF	EBC300312	EBR300280	RBR620310	9
47.50	47.50 - 47.10	MOD00475009310BMF	MOD00475009310BMF-S80H52	MOD40475009310BMF	EBC300314	EBR300282	RBR620310	9
48.00	48.00 - 47.60	MOD00480009310BMF	MOD00480009310BMF-S80H52	MOD40480009310BMF	EBC300316	EBR300284	RBR620310	9
48.50	48.50 - 48.10	MOD00485009310BMF	MOD00485009310BMF-S80H52	MOD40485009310BMF	EBC300318	EBR300286	RBR620310	9
49.00	49.00 - 48.60	MOD00490009310BMF	MOD00490009310BMF-S80H52	MOD40490009310BMF	EBC300320	EBR300288	RBR620310	9
49.50	49.50 - 49.10	MOD00495009310BMF	MOD00495009310BMF-S80H52	MOD40495009310BMF	EBC300322	EBR300290	RBR620310	9
50.00	50.00 - 49.60	MOD00500009310BMF	MOD00500009310BMF-S80H52	MOD40500009310BMF	EBC300324	EBR300292	RBR620310	9

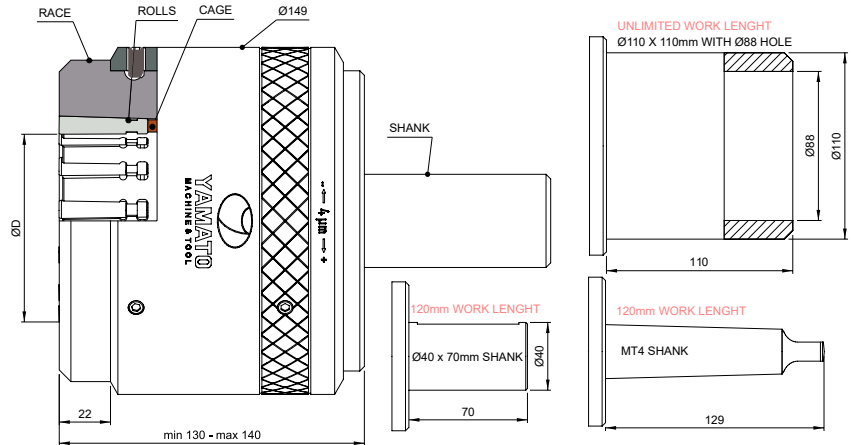
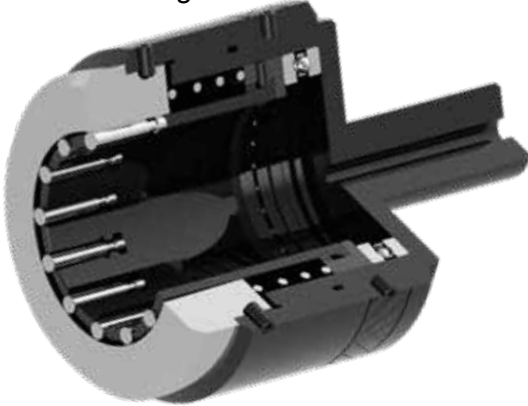
# ROLLER BURNISHING TOOLS

EXTERNAL DIAMETER  
STEPPED SHAFTS



**YAMATO**  
MACHINE & TOOL

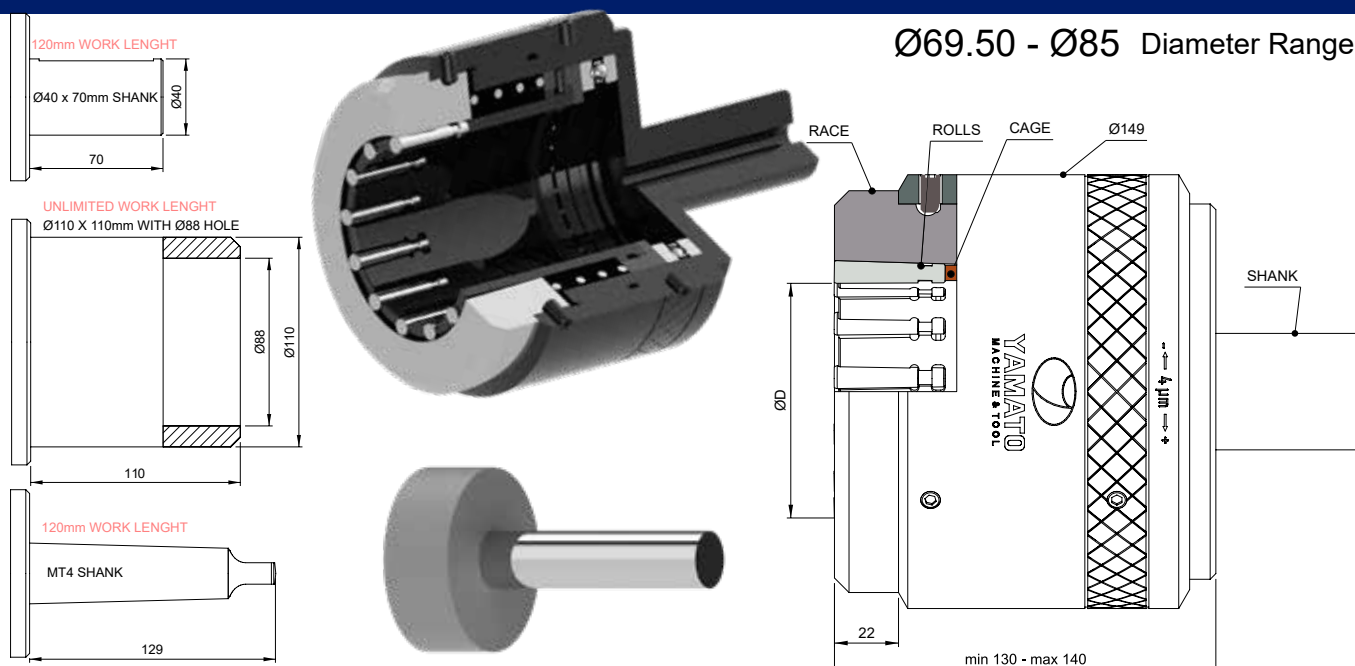
Diameter Range  $\varnothing 50.50 - \varnothing 69$



Roller Burnishing Tools | Stepped Shafts

ØD (mm)		TOOL CODE			SPARE PARTS			
Nominal	Range	Straight Shank		MT Shank	Cage	Race	Rolls	
		Ø40x70 solid (120 mm work length)	Ø110x110 with Ø88 internal hole (unlimited work length)	MT4 (120 mm work length)			code	qty
50.50	50.50 - 50.10	MOD00505011310BMF	MOD00505011310BMF-S110H88	MOD40505011310BMF	EBC400326	EBR400294	RBR620310	11
51.00	51.00 - 50.60	MOD00510011310BMF	MOD00510011310BMF-S110H88	MOD40510011310BMF	EBC400328	EBR400296	RBR620310	11
51.50	51.50 - 51.10	MOD00515011310BMF	MOD00515011310BMF-S110H88	MOD40515011310BMF	EBC400330	EBR400298	RBR620310	11
52.00	52.00 - 51.60	MOD00520011310BMF	MOD00520011310BMF-S110H88	MOD40520011310BMF	EBC400332	EBR400300	RBR620310	11
52.50	52.50 - 52.10	MOD00525011310BMF	MOD00525011310BMF-S110H88	MOD40525011310BMF	EBC400334	EBR400302	RBR620310	11
53.00	53.00 - 52.60	MOD00530011310BMF	MOD00530011310BMF-S110H88	MOD40530011310BMF	EBC400336	EBR400304	RBR620310	11
53.50	53.50 - 53.10	MOD00535011310BMF	MOD00535011310BMF-S110H88	MOD40535011310BMF	EBC400338	EBR400306	RBR620310	11
54.00	54.00 - 53.60	MOD00540011310BMF	MOD00540011310BMF-S110H88	MOD40540011310BMF	EBC400340	EBR400308	RBR620310	11
54.50	54.50 - 54.10	MOD00545011310BMF	MOD00545011310BMF-S110H88	MOD40545011310BMF	EBC400342	EBR400310	RBR620310	11
55.00	55.00 - 54.60	MOD00550011310BMF	MOD00550011310BMF-S110H88	MOD40550011310BMF	EBC400344	EBR400312	RBR620310	11
55.50	55.50 - 55.10	MOD00555011310BMF	MOD00555011310BMF-S110H88	MOD40555011310BMF	EBC400346	EBR400314	RBR620310	11
56.00	56.00 - 55.60	MOD00560011310BMF	MOD00560011310BMF-S110H88	MOD40560011310BMF	EBC400348	EBR400316	RBR620310	11
56.50	56.50 - 56.10	MOD00565011310BMF	MOD00565011310BMF-S110H88	MOD40565011310BMF	EBC400350	EBR400318	RBR620310	11
57.00	57.00 - 56.60	MOD00570011310BMF	MOD00570011310BMF-S110H88	MOD40570011310BMF	EBC400352	EBR400320	RBR620310	11
57.50	57.50 - 57.10	MOD00575011310BMF	MOD00575011310BMF-S110H88	MOD40575011310BMF	EBC400354	EBR400322	RBR620310	11
58.00	58.00 - 57.60	MOD00580011310BMF	MOD00580011310BMF-S110H88	MOD40580011310BMF	EBC400356	EBR400324	RBR620310	11
58.50	58.50 - 58.10	MOD00585011310BMF	MOD00585011310BMF-S110H88	MOD40585011310BMF	EBC400358	EBR400326	RBR620310	11
59.00	59.00 - 58.60	MOD00590011310BMF	MOD00590011310BMF-S110H88	MOD40590011310BMF	EBC400360	EBR400328	RBR620310	11
59.50	59.50 - 59.10	MOD00595011310BMF	MOD00595011310BMF-S110H88	MOD40595011310BMF	EBC400362	EBR400330	RBR620310	11
60.00	60.00 - 59.60	MOD00600011310BMF	MOD00600011310BMF-S110H88	MOD40600011310BMF	EBC400364	EBR400332	RBR620310	11
60.50	60.50 - 60.10	MOD00605011310BMF	MOD00605011310BMF-S110H88	MOD40605011310BMF	EBC400366	EBR400334	RBR620310	11
61.00	61.00 - 60.60	MOD00610011310BMF	MOD00610011310BMF-S110H88	MOD40610011310BMF	EBC400368	EBR400336	RBR620310	11
61.50	61.50 - 61.10	MOD00615011310BMF	MOD00615011310BMF-S110H88	MOD40615011310BMF	EBC400370	EBR400338	RBR620310	11
62.00	62.00 - 61.60	MOD00620011310BMF	MOD00620011310BMF-S110H88	MOD40620011310BMF	EBC400372	EBR400340	RBR620310	11
62.50	62.50 - 62.10	MOD00625011310BMF	MOD00625011310BMF-S110H88	MOD40625011310BMF	EBC400374	EBR400342	RBR620310	11
63.00	63.00 - 62.60	MOD00630011310BMF	MOD00630011310BMF-S110H88	MOD40630011310BMF	EBC400376	EBR400344	RBR620310	11
63.50	63.50 - 63.10	MOD00635011310BMF	MOD00635011310BMF-S110H88	MOD40635011310BMF	EBC400378	EBR400346	RBR620310	11
64.00	64.00 - 63.60	MOD00640011310BMF	MOD00640011310BMF-S110H88	MOD40640011310BMF	EBC400380	EBR400348	RBR620310	11
64.50	64.50 - 64.10	MOD00645011310BMF	MOD00645011310BMF-S110H88	MOD40645011310BMF	EBC400382	EBR400350	RBR620310	11
65.00	65.00 - 64.60	MOD00650011310BMF	MOD00650011310BMF-S110H88	MOD40650011310BMF	EBC400384	EBR400352	RBR620310	11
65.50	65.50 - 65.10	MOD00655011310BMF	MOD00655011310BMF-S110H88	MOD40655011310BMF	EBC400386	EBR400354	RBR620310	11
66.00	66.00 - 65.60	MOD00660011310BMF	MOD00660011310BMF-S110H88	MOD40660011310BMF	EBC400388	EBR400356	RBR620310	11
66.50	66.50 - 66.10	MOD00665011310BMF	MOD00665011310BMF-S110H88	MOD40665011310BMF	EBC400390	EBR400358	RBR620310	11
67.00	67.00 - 66.60	MOD00670011310BMF	MOD00670011310BMF-S110H88	MOD40670011310BMF	EBC400392	EBR400360	RBR620310	11
67.50	67.50 - 67.10	MOD00675011310BMF	MOD00675011310BMF-S110H88	MOD40675011310BMF	EBC400394	EBR400362	RBR620310	11
68.00	68.00 - 67.60	MOD00680011310BMF	MOD00680011310BMF-S110H88	MOD40680011310BMF	EBC400396	EBR400364	RBR620310	11
68.50	68.50 - 68.10	MOD00685011310BMF	MOD00685011310BMF-S110H88	MOD40685011310BMF	EBC400398	EBR400366	RBR620310	11
69.00	69.00 - 68.60	MOD00690011310BMF	MOD00690011310BMF-S110H88	MOD40690011310BMF	EBC400400	EBR400368	RBR620310	11

EXTERNAL DIAMETER  
STEPPED SHAFTS



Roller Burnishing Tools | Stepped Shafts

ØD (mm)		TOOL CODE			SPARE PARTS			
Nominal	Range	Straight Shank		MT Shank	Cage	Race	Rolls	
		Ø40x70 solid (120 mm work length)	Ø110x110 with Ø88 internal hole (unlimited work length)	MT4 (120 mm work length)			code	qty
69.50	69.50 - 69.10	MOD00695013310BMF	MOD00695013310BMF-S110H88	MOD40695013310BMF	EBC400402	EBR400370	RBR620310	13
70.00	70.00 - 69.60	MOD00700013310BMF	MOD00700013310BMF-S110H88	MOD40700013310BMF	EBC400404	EBR400372	RBR620310	13
70.50	70.50 - 70.10	MOD00705013310BMF	MOD00705013310BMF-S110H88	MOD40705013310BMF	EBC400406	EBR400374	RBR620310	13
71.00	71.00 - 70.60	MOD00710013310BMF	MOD00710013310BMF-S110H88	MOD40710013310BMF	EBC400408	EBR400376	RBR620310	13
71.50	71.50 - 71.10	MOD00715013310BMF	MOD00715013310BMF-S110H88	MOD40715013310BMF	EBC400410	EBR400378	RBR620310	13
72.00	72.00 - 71.60	MOD00720013310BMF	MOD00720013310BMF-S110H88	MOD40720013310BMF	EBC400412	EBR400380	RBR620310	13
72.50	72.50 - 72.10	MOD00725013310BMF	MOD00725013310BMF-S110H88	MOD40725013310BMF	EBC400414	EBR400382	RBR620310	13
73.00	73.00 - 72.60	MOD00730013310BMF	MOD00730013310BMF-S110H88	MOD40730013310BMF	EBC400416	EBR400384	RBR620310	13
73.50	73.50 - 73.10	MOD00735013310BMF	MOD00735013310BMF-S110H88	MOD40735013310BMF	EBC400418	EBR400386	RBR620310	13
74.00	74.00 - 73.60	MOD00740013310BMF	MOD00740013310BMF-S110H88	MOD40740013310BMF	EBC400420	EBR400388	RBR620310	13
74.50	74.50 - 74.10	MOD00745013310BMF	MOD00745013310BMF-S110H88	MOD40745013310BMF	EBC400422	EBR400390	RBR620310	13
75.00	75.00 - 74.60	MOD00750013310BMF	MOD00750013310BMF-S110H88	MOD40750013310BMF	EBC400424	EBR400392	RBR620310	13
75.50	75.50 - 75.10	MOD00755013310BMF	MOD00755013310BMF-S110H88	MOD40755013310BMF	EBC400426	EBR400394	RBR620310	13
76.00	76.00 - 75.60	MOD00760013310BMF	MOD00760013310BMF-S110H88	MOD40760013310BMF	EBC400428	EBR400396	RBR620310	13
76.50	76.50 - 76.10	MOD00765013310BMF	MOD00765013310BMF-S110H88	MOD40765013310BMF	EBC400430	EBR400398	RBR620310	13
77.00	77.00 - 76.60	MOD00770013310BMF	MOD00770013310BMF-S110H88	MOD40770013310BMF	EBC400432	EBR400400	RBR620310	13
77.50	77.50 - 77.10	MOD00775013310BMF	MOD00775013310BMF-S110H88	MOD40775013310BMF	EBC400434	EBR400402	RBR620310	13
78.00	78.00 - 77.60	MOD00780013310BMF	MOD00780013310BMF-S110H88	MOD40780013310BMF	EBC400436	EBR400404	RBR620310	13
78.50	78.50 - 78.10	MOD00785013310BMF	MOD00785013310BMF-S110H88	MOD40785013310BMF	EBC400438	EBR400406	RBR620310	13
79.00	79.00 - 78.60	MOD00790013310BMF	MOD00790013310BMF-S110H88	MOD40790013310BMF	EBC400440	EBR400408	RBR620310	13
79.50	79.50 - 79.10	MOD00795013310BMF	MOD00795013310BMF-S110H88	MOD40795013310BMF	EBC400442	EBR400410	RBR620310	13
80.00	80.00 - 79.60	MOD00800013310BMF	MOD00800013310BMF-S110H88	MOD40800013310BMF	EBC400444	EBR400412	RBR620310	13
80.50	80.50 - 80.10	MOD00805013310BMF	MOD00805013310BMF-S110H88	MOD40805013310BMF	EBC400446	EBR400414	RBR620310	13
81.00	81.00 - 80.60	MOD00810013310BMF	MOD00810013310BMF-S110H88	MOD40810013310BMF	EBC400448	EBR400416	RBR620310	13
81.50	81.50 - 81.10	MOD00815013310BMF	MOD00815013310BMF-S110H88	MOD40815013310BMF	EBC400450	EBR400418	RBR620310	13
82.00	82.00 - 81.60	MOD00820013310BMF	MOD00820013310BMF-S110H88	MOD40820013310BMF	EBC400452	EBR400420	RBR620310	13
82.50	82.50 - 82.10	MOD00825013310BMF	MOD00825013310BMF-S110H88	MOD40825013310BMF	EBC400454	EBR400422	RBR620310	13
83.00	83.00 - 82.60	MOD00830013310BMF	MOD00830013310BMF-S110H88	MOD40830013310BMF	EBC400456	EBR400424	RBR620310	13
83.50	83.50 - 83.10	MOD00835013310BMF	MOD00835013310BMF-S110H88	MOD40835013310BMF	EBC400458	EBR400426	RBR620310	13
84.00	84.00 - 83.60	MOD00840013310BMF	MOD00840013310BMF-S110H88	MOD40840013310BMF	EBC400460	EBR400428	RBR620310	13
84.50	84.50 - 84.10	MOD00845013310BMF	MOD00845013310BMF-S110H88	MOD40845013310BMF	EBC400462	EBR400430	RBR620310	13
85.00	85.00 - 84.60	MOD00850013310BMF	MOD00850013310BMF-S110H88	MOD40850013310BMF	EBC400464	EBR400432	RBR620310	13

EXTERNAL DIAMETER STEPPED SHAFTS

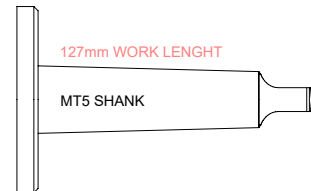
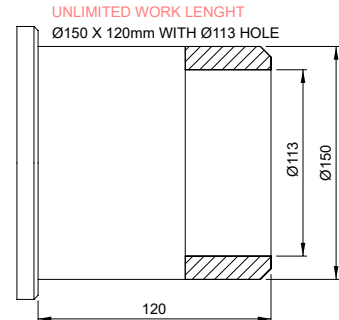
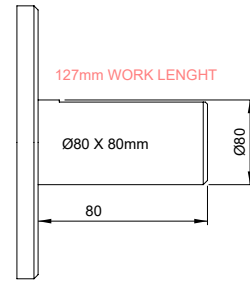
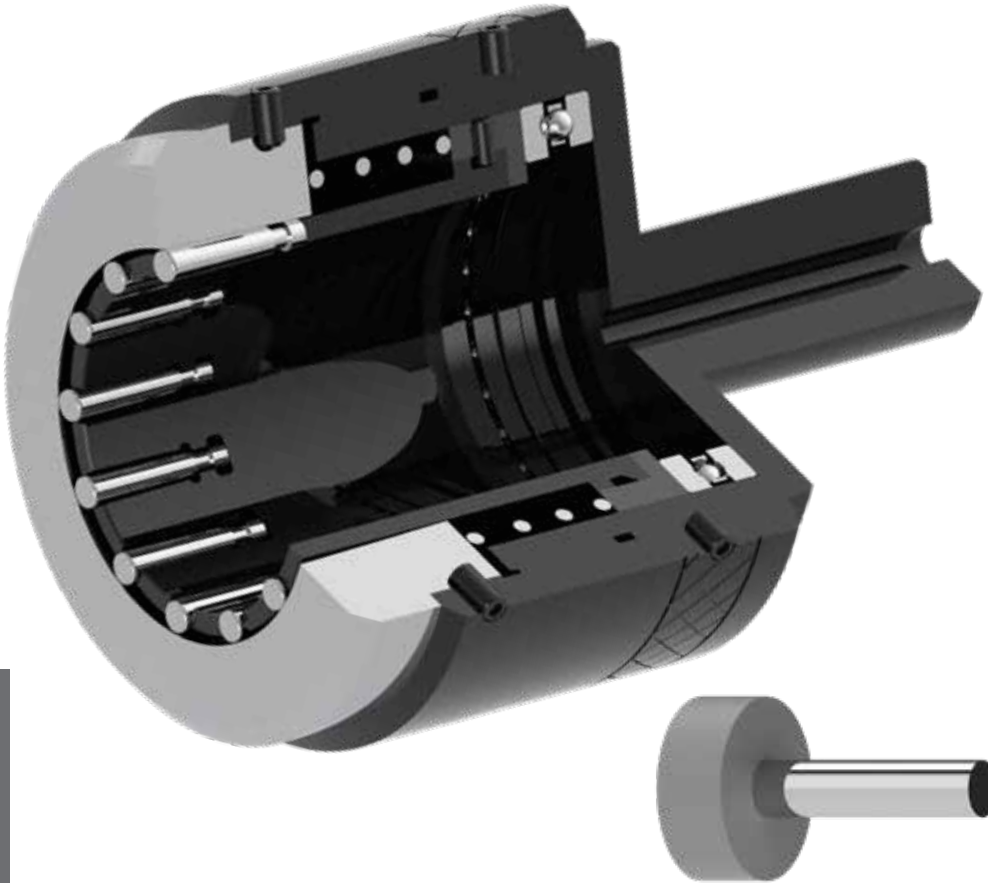
# ROLLER BURNISHING TOOLS

EXTERNAL DIAMETER  
STEPPED SHAFTS



**YAMATO**  
MACHINE & TOOL

Diameter Range Ø85.50 - Ø95



EXTERNAL DIAMETER  
STEPPED SHAFTS

Roller Burnishing Tools   Stepped Shafts									
ØD (mm)		TOOL CODE			SPARE PARTS		Rolls		
Nominal	Range	Straight Shank		MT Shank	Cage	Race	code	qty	
		Ø80x80 solid (127 mm work length)	Ø150x120 with Ø113 internal hole (unlimited work length)	MT5 (127 mm work length)					
85.50	85.50 - 85.10	MOD00855009530BMF	MOD00855009530BMF-S150H113	MOD50855009530BMF	EBC500466	EBR500434	RBR620530	9	
86.00	86.00 - 85.60	MOD00860009530BMF	MOD00860009530BMF-S150H113	MOD50860009530BMF	EBC500468	EBR500436	RBR620530	9	
86.50	86.50 - 86.10	MOD00865009530BMF	MOD00865009530BMF-S150H113	MOD50865009530BMF	EBC500470	EBR500438	RBR620530	9	
87.00	87.00 - 86.60	MOD00870009530BMF	MOD00870009530BMF-S150H113	MOD50870009530BMF	EBC500472	EBR500440	RBR620530	9	
87.50	87.50 - 87.10	MOD00875009530BMF	MOD00875009530BMF-S150H113	MOD50875009530BMF	EBC500474	EBR500442	RBR620530	9	
88.00	88.00 - 87.60	MOD00880009530BMF	MOD00880009530BMF-S150H113	MOD50880009530BMF	EBC500476	EBR500444	RBR620530	9	
88.50	88.50 - 88.10	MOD00885009530BMF	MOD00885009530BMF-S150H113	MOD50885009530BMF	EBC500478	EBR500446	RBR620530	9	
89.00	89.00 - 88.60	MOD00890009530BMF	MOD00890009530BMF-S150H113	MOD50890009530BMF	EBC500480	EBR500448	RBR620530	9	
89.50	89.50 - 89.10	MOD00895009530BMF	MOD00895009530BMF-S150H113	MOD50895009530BMF	EBC500482	EBR500450	RBR620530	9	
90.00	90.00 - 89.60	MOD00900009530BMF	MOD00900009530BMF-S150H113	MOD50900009530BMF	EBC500484	EBR500452	RBR620530	9	
90.50	90.50 - 90.10	MOD00905009530BMF	MOD00905009530BMF-S150H113	MOD50905009530BMF	EBC500486	EBR500454	RBR620530	9	
91.00	91.00 - 90.60	MOD00910009530BMF	MOD00910009530BMF-S150H113	MOD50910009530BMF	EBC500488	EBR500456	RBR620530	9	
91.50	91.50 - 91.10	MOD00915009530BMF	MOD00915009530BMF-S150H113	MOD50915009530BMF	EBC500490	EBR500458	RBR620530	9	
92.00	92.00 - 91.60	MOD00920009530BMF	MOD00920009530BMF-S150H113	MOD50920009530BMF	EBC500492	EBR500460	RBR620530	9	
92.50	92.50 - 92.10	MOD00925009530BMF	MOD00925009530BMF-S150H113	MOD50925009530BMF	EBC500494	EBR500462	RBR620530	9	
93.00	93.00 - 92.60	MOD00930009530BMF	MOD00930009530BMF-S150H113	MOD50930009530BMF	EBC500496	EBR500464	RBR620530	9	
93.50	93.50 - 93.10	MOD00935009530BMF	MOD00935009530BMF-S150H113	MOD50935009530BMF	EBC500498	EBR500466	RBR620530	9	
94.00	94.00 - 93.60	MOD00940009530BMF	MOD00940009530BMF-S150H113	MOD50940009530BMF	EBC500500	EBR500468	RBR620530	9	
94.50	94.50 - 94.10	MOD00945009530BMF	MOD00945009530BMF-S150H113	MOD50945009530BMF	EBC500502	EBR500470	RBR620530	9	
95.00	95.00 - 94.60	MOD00950009530BMF	MOD00950009530BMF-S150H113	MOD50950009530BMF	EBC500504	EBR500472	RBR620530	9	