



YAMATO
MACHINE & TOOL ORGANIZATION



One Pass...

... Super Finishing

... Precision Sizing

... Work Hardening

THE ART OF ROLLER BURNISHING

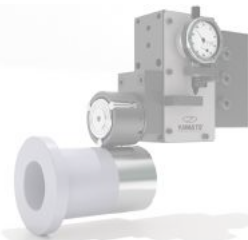
ROBUTO

ROLLER BURNISHING TOOLS

www.yamato.com.tr

YAMATO

6172/2 Sok. No:1/8
Isikkent /Izmir- TURKEY
Phone: +90.232.472 28 88
Fax: +90.232.472 28 90
info@yamato.com.tr
www.yamato.com.tr



▶ CPL SERIES

INTERNAL ROBUTO ROLLER BURNISHING TOOLS

For hole sizes from $\varnothing 3$ to $\varnothing 300$ mm

Standard working lengths up to $\varnothing 31$
Unlimited working length up from $\varnothing 32$

MF – Through Hole - Machine Feeding

SF – Through Hole - Self Feeding

BMF – Blind/Stepped Hole - Machine Feeding

AVAILABLE FROM STOCK



MOD SERIES ▶

EXTERNAL ROBUTO ROLLER BURNISHING TOOLS

For external diameters from $\varnothing 1.5$ to $\varnothing 110$ mm

Unlimited working length with hollow shank

MF- Machine Feeding Tools for straight shafts

SF- Self Feeding Tools for straight shafts

BMF - Machine Feeding Tools for stepped shafts

AVAILABLE FROM STOCK

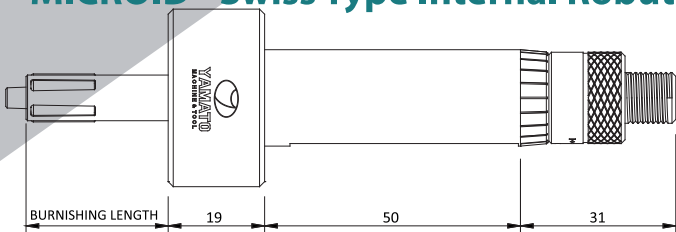


MICRO ROBUTO

SWISS TYPE
INTERNAL & EXTERNAL ROBUTO

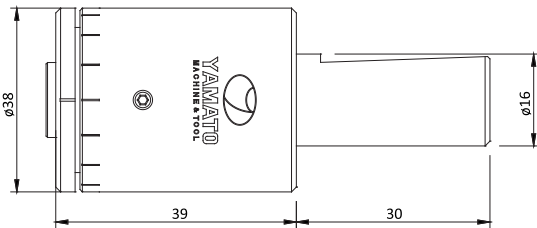


MICROID - Swiss Type Internal Robuto



Their short length allows them to be used on the reduced spaces in Swiss Type Lathes. All the working can be done directly on the CNC machine avoiding the high cost and waste of time for secondary workings.

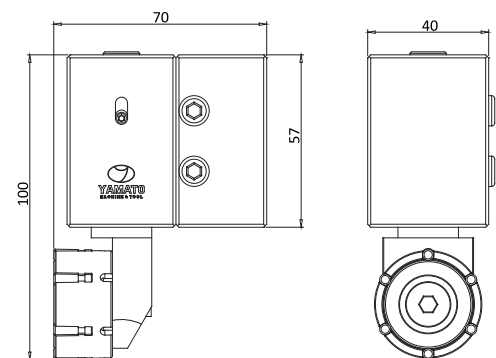
MICROMOD - Swiss Type External Robuto



SRHV

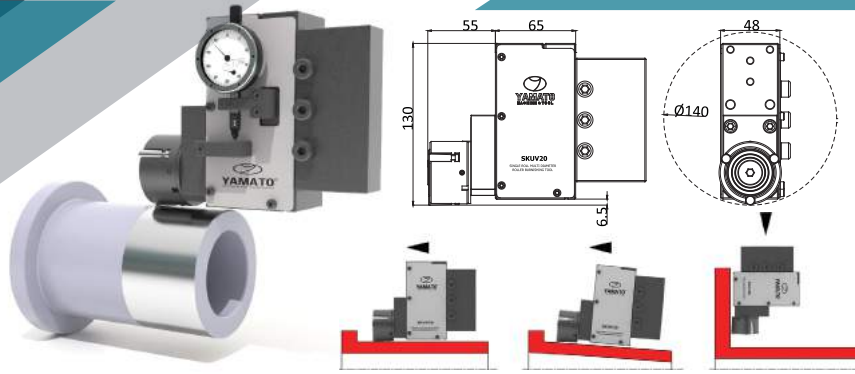
SWISS TYPE SINGLE ROLL ROBUTO

- Compact design for use where limited space is available.
- Designed for, but not limited to, use on Swiss Type Lathes.
- Designed to burnish outside diameters.
- Adjustable for optimum burnishing pressure.
- Low cost replacable burnishing roll.

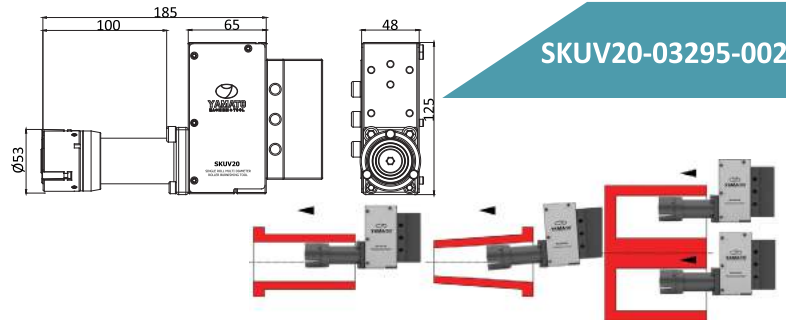
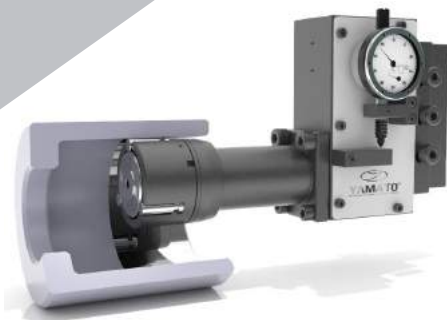


SKUV20-03295-001

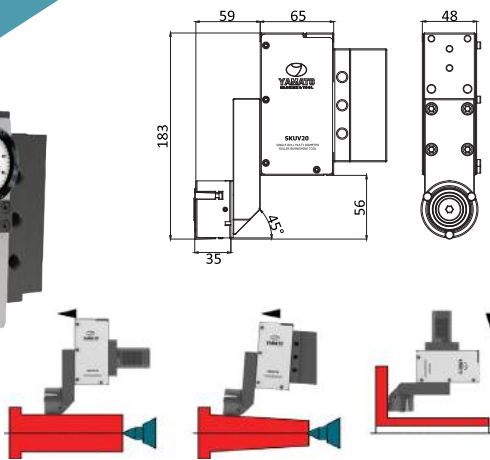
SKUV SERIES
SINGLE ROLL ROBOTO



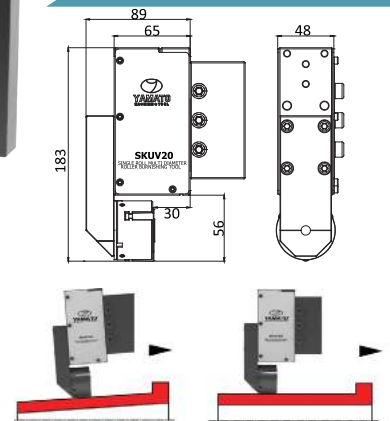
SKUV20-03295-002



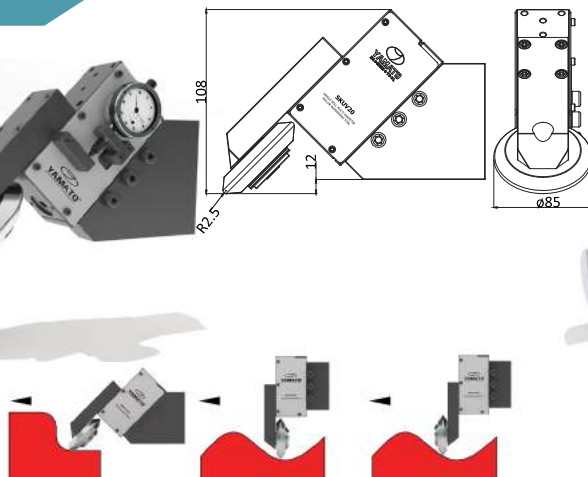
SKUV20-03295-003



SKUV20-03295-004



SKUV20-2.5R80-001



SKUV20-01XXX-LXX.X

