



YAMATO
MACHINE & TOOL

ROLLER BURNISHING TOOLS

INTERNAL DIAMETER
THROUGH HOLES

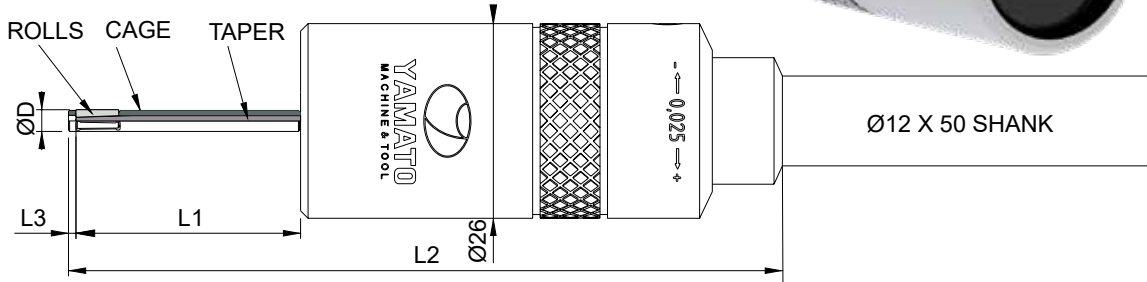


ROLLER BURNISHING TOOLS

INTERNAL DIAMETER
THROUGH HOLES

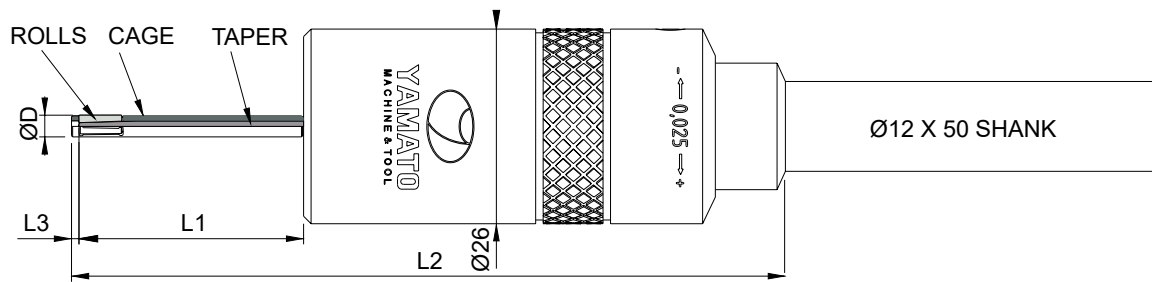


Diameter Range $\varnothing 3$ - $\varnothing 3.60$



Roller Burnishing Tools Through Holes										
ØD (mm)		Lenght-L (mm)			TOOL CODE		SPARE PARTS			
Nominal	Range	1	2	3	Assembly with Straight Shank	Assembly with Morse Taper Shank	Cage	Taper	Rolls	
									code	qty
3	2,95 - 3,15	10	76	1	CPL00030003039MFL10	CPL10030003039MFL10	IMC10D300	IMT59D300	RTR600039	3
		15	81	1	CPL00030003039MFL15	CPL10030003039MFL15	IMC15D300	IMT64D300	RTR600039	3
		20	86	1	CPL00030003039MFL20	CPL10030003039MFL20	IMC20D300	IMT69D300	RTR600039	3
		25	91	1	CPL00030003039MFL25	CPL10030003039MFL25	IMC25D300	IMT74D300	RTR600039	3
		30	96	1	CPL00030003039MFL30	CPL10030003039MFL30	IMC30D300	IMT79D300	RTR600039	3
3.10	3,05 - 3,25	10	76	1	CPL00031003039MFL10	CPL10031003039MFL10	IMC10D310	IMT59D310	RTR600039	3
		15	81	1	CPL00031003039MFL15	CPL10031003039MFL15	IMC15D310	IMT64D310	RTR600039	3
		20	86	1	CPL00031003039MFL20	CPL10031003039MFL20	IMC20D310	IMT69D310	RTR600039	3
		25	91	1	CPL00031003039MFL25	CPL10031003039MFL25	IMC25D310	IMT74D310	RTR600039	3
		30	96	1	CPL00031003039MFL30	CPL10031003039MFL30	IMC30D310	IMT79D310	RTR600039	3
3.20	3,15 - 3,35	10	76	1	CPL00032003039MFL10	CPL10032003039MFL10	IMC10D320	IMT59D320	RTR600039	3
		15	81	1	CPL00032003039MFL15	CPL10032003039MFL15	IMC15D320	IMT64D320	RTR600039	3
		20	86	1	CPL00032003039MFL20	CPL10032003039MFL20	IMC20D320	IMT69D320	RTR600039	3
		25	91	1	CPL00032003039MFL25	CPL10032003039MFL25	IMC25D320	IMT74D320	RTR600039	3
		30	96	1	CPL00032003039MFL30	CPL10032003039MFL30	IMC30D320	IMT79D320	RTR600039	3
3.30	3,25 - 3,45	10	76	1	CPL00033003039MFL10	CPL10033003039MFL10	IMC10D330	IMT59D330	RTR600039	3
		15	81	1	CPL00033003039MFL15	CPL10033003039MFL15	IMC15D330	IMT64D330	RTR600039	3
		20	86	1	CPL00033003039MFL20	CPL10033003039MFL20	IMC20D330	IMT69D330	RTR600039	3
		25	91	1	CPL00033003039MFL25	CPL10033003039MFL25	IMC25D330	IMT74D330	RTR600039	3
		30	96	1	CPL00033003039MFL30	CPL10033003039MFL30	IMC30D330	IMT79D330	RTR600039	3
3.40	3,35 - 3,55	10	76	1	CPL00034003039MFL10	CPL10034003039MFL10	IMC10D340	IMT59D340	RTR600039	3
		15	81	1	CPL00034003039MFL15	CPL10034003039MFL15	IMC15D340	IMT64D340	RTR600039	3
		20	86	1	CPL00034003039MFL20	CPL10034003039MFL20	IMC20D340	IMT69D340	RTR600039	3
		25	91	1	CPL00034003039MFL25	CPL10034003039MFL25	IMC25D340	IMT74D340	RTR600039	3
		30	96	1	CPL00034003039MFL30	CPL10034003039MFL30	IMC30D340	IMT79D340	RTR600039	3
3.50	3,45 - 3,65	10	76	1	CPL00035003039MFL10	CPL10035003039MFL10	IMC10D350	IMT59D350	RTR600039	3
		15	81	1	CPL00035003039MFL15	CPL10035003039MFL15	IMC15D350	IMT64D350	RTR600039	3
		20	86	1	CPL00035003039MFL20	CPL10035003039MFL20	IMC20D350	IMT69D350	RTR600039	3
		25	91	1	CPL00035003039MFL25	CPL10035003039MFL25	IMC25D350	IMT74D350	RTR600039	3
		30	96	1	CPL00035003039MFL30	CPL10035003039MFL30	IMC30D350	IMT79D350	RTR600039	3
3.60	3,55 - 3,75	10	76	1	CPL00036003039MFL10	CPL10036003039MFL10	IMC10D360	IMT59D360	RTR600039	3
		15	81	1	CPL00036003039MFL15	CPL10036003039MFL15	IMC15D360	IMT64D360	RTR600039	3
		20	86	1	CPL00036003039MFL20	CPL10036003039MFL20	IMC20D360	IMT69D360	RTR600039	3
		25	91	1	CPL00036003039MFL25	CPL10036003039MFL25	IMC25D360	IMT74D360	RTR600039	3
		30	96	1	CPL00036003039MFL30	CPL10036003039MFL30	IMC30D360	IMT79D360	RTR600039	3

Ø3.70 - Ø4 Diameter Range



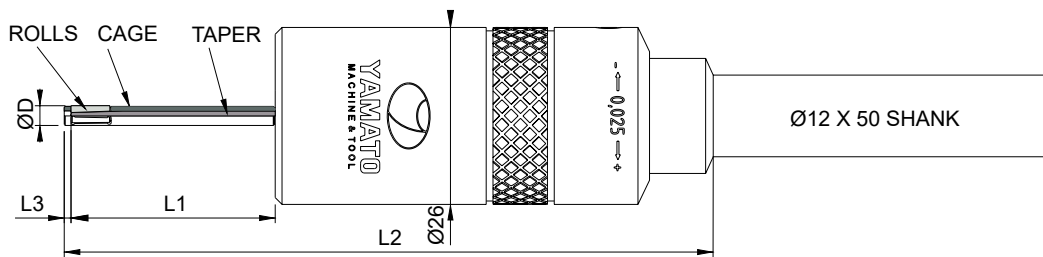
Roller Burnishing Tools Through Holes										
ØD (mm)		Lenght (mm)			TOOL CODE		SPARE PARTS			
Nominal	Range	1	2	3	Assembly with Straight Shank	Assembly with Morse Taper Shank	Cage	Taper	Rolls	
									code	qty
3.70	3,65 - 3,85	10	76	1	CPL00037003039MFL10	CPL10037003039MFL10	IMC10D370	IMT59D370	RTR600039	3
		15	81	1	CPL00037003039MFL15	CPL10037003039MFL15	IMC15D370	IMT64D370	RTR600039	3
		20	86	1	CPL00037003039MFL20	CPL10037003039MFL20	IMC20D370	IMT69D370	RTR600039	3
		25	91	1	CPL00037003039MFL25	CPL10037003039MFL25	IMC25D370	IMT74D370	RTR600039	3
		30	96	1	CPL00037003039MFL30	CPL10037003039MFL30	IMC30D370	IMT79D370	RTR600039	3
		35	101	1	CPL00037003039MFL35	CPL10037003039MFL35	IMC35D370	IMT84D370	RTR600039	3
		40	106	1	CPL00037003039MFL40	CPL10037003039MFL40	IMC40D370	IMT89D370	RTR600039	3
3.80	3,75 - 3,95	10	76	1	CPL00038003039MFL10	CPL10038003039MFL10	IMC10D380	IMT59D380	RTR600039	3
		15	81	1	CPL00038003039MFL15	CPL10038003039MFL15	IMC15D380	IMT64D380	RTR600039	3
		20	86	1	CPL00038003039MFL20	CPL10038003039MFL20	IMC20D380	IMT69D380	RTR600039	3
		25	91	1	CPL00038003039MFL25	CPL10038003039MFL25	IMC25D380	IMT74D380	RTR600039	3
		30	96	1	CPL00038003039MFL30	CPL10038003039MFL30	IMC30D380	IMT79D380	RTR600039	3
		35	101	1	CPL00038003039MFL35	CPL10038003039MFL35	IMC35D380	IMT84D380	RTR600039	3
		40	106	1	CPL00038003039MFL40	CPL10038003039MFL40	IMC40D380	IMT89D380	RTR600039	3
3.90	3,85 - 4,05	10	76	1	CPL00039003039MFL10	CPL10039003039MFL10	IMC10D390	IMT59D390	RTR600039	3
		15	81	1	CPL00039003039MFL15	CPL10039003039MFL15	IMC15D390	IMT64D390	RTR600039	3
		20	86	1	CPL00039003039MFL20	CPL10039003039MFL20	IMC20D390	IMT69D390	RTR600039	3
		25	91	1	CPL00039003039MFL25	CPL10039003039MFL25	IMC25D390	IMT74D390	RTR600039	3
		30	96	1	CPL00039003039MFL30	CPL10039003039MFL30	IMC30D390	IMT79D390	RTR600039	3
		35	101	1	CPL00039003039MFL35	CPL10039003039MFL35	IMC35D390	IMT84D390	RTR600039	3
		40	106	1	CPL00039003039MFL40	CPL10039003039MFL40	IMC40D390	IMT89D390	RTR600039	3
4.00	3,95 - 4,15	10	76	1	CPL00040003039MFL10	CPL10040003039MFL10	IMC10D400	IMT59D400	RTR600039	3
		15	81	1	CPL00040003039MFL15	CPL10040003039MFL15	IMC15D400	IMT64D400	RTR600039	3
		20	86	1	CPL00040003039MFL20	CPL10040003039MFL20	IMC20D400	IMT69D400	RTR600039	3
		25	91	1	CPL00040003039MFL25	CPL10040003039MFL25	IMC25D400	IMT74D400	RTR600039	3
		30	96	1	CPL00040003039MFL30	CPL10040003039MFL30	IMC30D400	IMT79D400	RTR600039	3
		35	101	1	CPL00040003039MFL35	CPL10040003039MFL35	IMC35D400	IMT84D400	RTR600039	3
		40	106	1	CPL00040003039MFL40	CPL10040003039MFL40	IMC40D400	IMT89D400	RTR600039	3

ROLLER BURNISHING TOOLS

INTERNAL DIAMETER
THROUGH HOLES

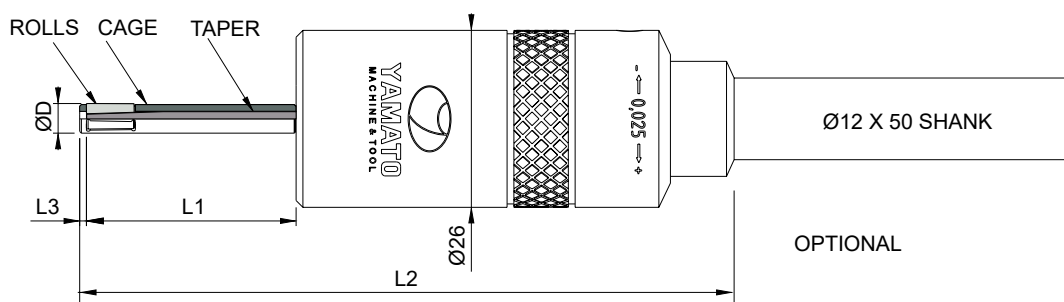


Diameter Range $\varnothing 4.10 - \varnothing 4.40$



Roller Burnishing Tools Through Holes											
ØD (mm)		Lenght (mm)			TOOL CODE				SPARE PARTS		
Nominal	Range	1	2	3	Assembly with Straight Shank	Assembly with Morse Taper Shank	Cage	Taper	Rolls		
									code	qty	
4.10	4,05 - 4,25	10	76	1	CPL00041003039MFL10	CPL10041003039MFL10	IMC10D410	IMT59D410	RTR600039	3	
		15	81	1	CPL00041003039MFL15	CPL10041003039MFL15	IMC15D410	IMT64D410	RTR600039	3	
		20	86	1	CPL00041003039MFL20	CPL10041003039MFL20	IMC20D410	IMT69D410	RTR600039	3	
		25	91	1	CPL00041003039MFL25	CPL10041003039MFL25	IMC25D410	IMT74D410	RTR600039	3	
		30	96	1	CPL00041003039MFL30	CPL10041003039MFL30	IMC30D410	IMT79D410	RTR600039	3	
		35	101	1	CPL00041003039MFL35	CPL10041003039MFL35	IMC35D410	IMT84D410	RTR600039	3	
4.20	4,15 - 4,35	10	76	1	CPL00042003039MFL10	CPL10042003039MFL10	IMC10D420	IMT59D420	RTR600039	3	
		15	81	1	CPL00042003039MFL15	CPL10042003039MFL15	IMC15D420	IMT64D420	RTR600039	3	
		20	86	1	CPL00042003039MFL20	CPL10042003039MFL20	IMC20D420	IMT69D420	RTR600039	3	
		25	91	1	CPL00042003039MFL25	CPL10042003039MFL25	IMC25D420	IMT74D420	RTR600039	3	
		30	96	1	CPL00042003039MFL30	CPL10042003039MFL30	IMC30D420	IMT79D420	RTR600039	3	
		35	101	1	CPL00042003039MFL35	CPL10042003039MFL35	IMC35D420	IMT84D420	RTR600039	3	
4.30	4,25 - 4,45	10	76	1	CPL00043003039MFL10	CPL10043003039MFL10	IMC10D430	IMT59D430	RTR600039	3	
		15	81	1	CPL00043003039MFL15	CPL10043003039MFL15	IMC15D430	IMT64D430	RTR600039	3	
		20	86	1	CPL00043003039MFL20	CPL10043003039MFL20	IMC20D430	IMT69D430	RTR600039	3	
		25	91	1	CPL00043003039MFL25	CPL10043003039MFL25	IMC25D430	IMT74D430	RTR600039	3	
		30	96	1	CPL00043003039MFL30	CPL10043003039MFL30	IMC30D430	IMT79D430	RTR600039	3	
		35	101	1	CPL00043003039MFL35	CPL10043003039MFL35	IMC35D430	IMT84D430	RTR600039	3	
4.40	4,35 - 4,55	10	76	1	CPL00044003039MFL10	CPL10044003039MFL10	IMC10D440	IMT59D440	RTR600039	3	
		15	81	1	CPL00044003039MFL15	CPL10044003039MFL15	IMC15D440	IMT64D440	RTR600039	3	
		20	86	1	CPL00044003039MFL20	CPL10044003039MFL20	IMC20D440	IMT69D440	RTR600039	3	
		25	91	1	CPL00044003039MFL25	CPL10044003039MFL25	IMC25D440	IMT74D440	RTR600039	3	
		30	96	1	CPL00044003039MFL30	CPL10044003039MFL30	IMC30D440	IMT79D440	RTR600039	3	
		35	101	1	CPL00044003039MFL35	CPL10044003039MFL35	IMC35D440	IMT84D440	RTR600039	3	
		40	106	1	CPL00044003039MFL40	CPL10044003039MFL40	IMC40D440	IMT89D440	RTR600039	3	

Ø4.50 - Ø4.80 Diameter Range



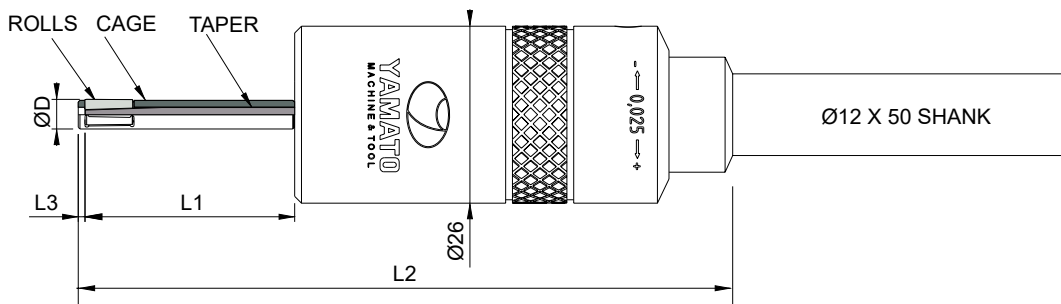
Roller Burnishing Tools Through Holes										
ØD (mm)		Lenght (mm)			TOOL CODE		SPARE PARTS			
Nominal	Range	1	2	3	Assembly with Straight Shank	Assembly with Morse Taper Shank	Cage	Taper	Rolls	
									code	qty
4.50	4,45 - 4,65	10	76	1	CPL00045003059MFL10	CPL10045003059MFL10	IMC10D450	IMT59D450	RTR600059	3
		15	81	1	CPL00045003059MFL15	CPL10045003059MFL15	IMC15D450	IMT64D450	RTR600059	3
		20	86	1	CPL00045003059MFL20	CPL10045003059MFL20	IMC20D450	IMT69D450	RTR600059	3
		25	91	1	CPL00045003059MFL25	CPL10045003059MFL25	IMC25D450	IMT74D450	RTR600059	3
		30	96	1	CPL00045003059MFL30	CPL10045003059MFL30	IMC30D450	IMT79D450	RTR600059	3
		35	101	1	CPL00045003059MFL35	CPL10045003059MFL35	IMC35D450	IMT84D450	RTR600059	3
		40	106	1	CPL00045003059MFL40	CPL10045003059MFL40	IMC40D450	IMT89D450	RTR600059	3
4.60	4,55 - 4,75	10	76	1	CPL00046003059MFL10	CPL10046003059MFL10	IMC10D460	IMT59D460	RTR600059	3
		15	81	1	CPL00046003059MFL15	CPL10046003059MFL15	IMC15D460	IMT64D460	RTR600059	3
		20	86	1	CPL00046003059MFL20	CPL10046003059MFL20	IMC20D460	IMT69D460	RTR600059	3
		25	91	1	CPL00046003059MFL25	CPL10046003059MFL25	IMC25D460	IMT74D460	RTR600059	3
		30	96	1	CPL00046003059MFL30	CPL10046003059MFL30	IMC30D460	IMT79D460	RTR600059	3
		35	101	1	CPL00046003059MFL35	CPL10046003059MFL35	IMC35D460	IMT84D460	RTR600059	3
		40	106	1	CPL00046003059MFL40	CPL10046003059MFL40	IMC40D460	IMT89D460	RTR600059	3
4.70	4,65 - 4,85	10	76	1	CPL00047003059MFL10	CPL10047003059MFL10	IMC10D470	IMT59D470	RTR600059	3
		15	81	1	CPL00047003059MFL15	CPL10047003059MFL15	IMC15D470	IMT64D470	RTR600059	3
		20	86	1	CPL00047003059MFL20	CPL10047003059MFL20	IMC20D470	IMT69D470	RTR600059	3
		25	91	1	CPL00047003059MFL25	CPL10047003059MFL25	IMC25D470	IMT74D470	RTR600059	3
		30	96	1	CPL00047003059MFL30	CPL10047003059MFL30	IMC30D470	IMT79D470	RTR600059	3
		35	101	1	CPL00047003059MFL35	CPL10047003059MFL35	IMC35D470	IMT84D470	RTR600059	3
		40	106	1	CPL00047003059MFL40	CPL10047003059MFL40	IMC40D470	IMT89D470	RTR600059	3
4.80	4,75 - 4,95	10	76	1	CPL00048003059MFL10	CPL10048003059MFL10	IMC10D480	IMT59D480	RTR600059	3
		15	81	1	CPL00048003059MFL15	CPL10048003059MFL15	IMC15D480	IMT64D480	RTR600059	3
		20	86	1	CPL00048003059MFL20	CPL10048003059MFL20	IMC20D480	IMT69D480	RTR600059	3
		25	91	1	CPL00048003059MFL25	CPL10048003059MFL25	IMC25D480	IMT74D480	RTR600059	3
		30	96	1	CPL00048003059MFL30	CPL10048003059MFL30	IMC30D480	IMT79D480	RTR600059	3
		35	101	1	CPL00048003059MFL35	CPL10048003059MFL35	IMC35D480	IMT84D480	RTR600059	3
		40	106	1	CPL00048003059MFL40	CPL10048003059MFL40	IMC40D480	IMT89D480	RTR600059	3

ROLLER BURNISHING TOOLS

INTERNAL DIAMETER
THROUGH HOLES



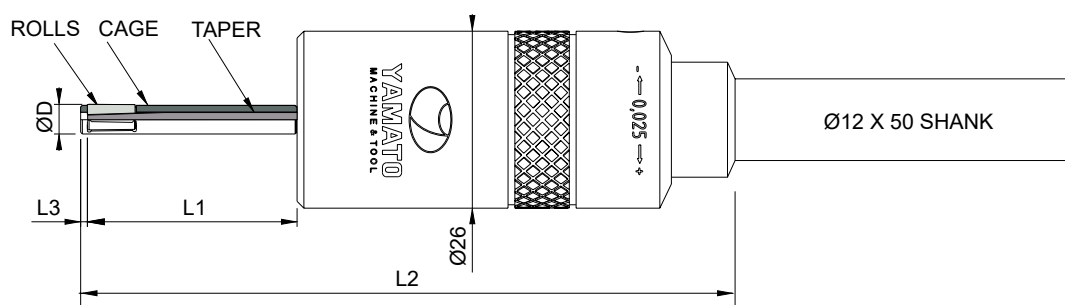
Diameter Range $\varnothing 4.90 - \varnothing 5.20$



Roller Burnishing Tools | Through Holes

ØD (mm)		Length (mm)			TOOL CODE		SPARE PARTS			
Nominal	Range	1	2	3	Assembly with Straight Shank	Assembly with Morse Taper Shank	Cage	Taper	Rolls	
									code	qty
4.90	4,85 - 5,05	10	76	1	CPL00049003059MFL10	CPL10049003059MFL10	IMC10D490	IMT59D490	RTR600059	3
		15	81	1	CPL00049003059MFL15	CPL10049003059MFL15	IMC15D490	IMT64D490	RTR600059	3
		20	86	1	CPL00049003059MFL20	CPL10049003059MFL20	IMC20D490	IMT69D490	RTR600059	3
		25	91	1	CPL00049003059MFL25	CPL10049003059MFL25	IMC25D490	IMT74D490	RTR600059	3
		30	96	1	CPL00049003059MFL30	CPL10049003059MFL30	IMC30D490	IMT79D490	RTR600059	3
		35	101	1	CPL00049003059MFL35	CPL10049003059MFL35	IMC35D490	IMT84D490	RTR600059	3
		40	106	1	CPL00049003059MFL40	CPL10049003059MFL40	IMC40D490	IMT89D490	RTR600059	3
5.00	4,95 - 5,15	10	76	1	CPL00050003059MFL10	CPL10050003059MFL10	IMC10D500	IMT59D500	RTR600059	3
		15	81	1	CPL00050003059MFL15	CPL10050003059MFL15	IMC15D500	IMT64D500	RTR600059	3
		20	86	1	CPL00050003059MFL20	CPL10050003059MFL20	IMC20D500	IMT69D500	RTR600059	3
		25	91	1	CPL00050003059MFL25	CPL10050003059MFL25	IMC25D500	IMT74D500	RTR600059	3
		30	96	1	CPL00050003059MFL30	CPL10050003059MFL30	IMC30D500	IMT79D500	RTR600059	3
		35	101	1	CPL00050003059MFL35	CPL10050003059MFL35	IMC35D500	IMT84D500	RTR600059	3
		40	106	1	CPL00050003059MFL40	CPL10050003059MFL40	IMC40D500	IMT89D500	RTR600059	3
5.10	5,05 - 5,25	10	76	1	CPL00051003059MFL10	CPL10051003059MFL10	IMC10D510	IMT59D510	RTR600059	3
		15	81	1	CPL00051003059MFL15	CPL10051003059MFL15	IMC15D510	IMT64D510	RTR600059	3
		20	86	1	CPL00051003059MFL20	CPL10051003059MFL20	IMC20D510	IMT69D510	RTR600059	3
		25	91	1	CPL00051003059MFL25	CPL10051003059MFL25	IMC25D510	IMT74D510	RTR600059	3
		30	96	1	CPL00051003059MFL30	CPL10051003059MFL30	IMC30D510	IMT79D510	RTR600059	3
		35	101	1	CPL00051003059MFL35	CPL10051003059MFL35	IMC35D510	IMT84D510	RTR600059	3
		40	106	1	CPL00051003059MFL40	CPL10051003059MFL40	IMC40D510	IMT89D510	RTR600059	3
5.20	5,15 - 5,35	10	76	1	CPL00052003059MFL10	CPL10052003059MFL10	IMC10D520	IMT59D520	RTR600059	3
		15	81	1	CPL00052003059MFL15	CPL10052003059MFL15	IMC15D520	IMT64D520	RTR600059	3
		20	86	1	CPL00052003059MFL20	CPL10052003059MFL20	IMC20D520	IMT69D520	RTR600059	3
		25	91	1	CPL00052003059MFL25	CPL10052003059MFL25	IMC25D520	IMT74D520	RTR600059	3
		30	96	1	CPL00052003059MFL30	CPL10052003059MFL30	IMC30D520	IMT79D520	RTR600059	3
		35	101	1	CPL00052003059MFL35	CPL10052003059MFL35	IMC35D520	IMT84D520	RTR600059	3
		40	106	1	CPL00052003059MFL40	CPL10052003059MFL40	IMC40D520	IMT89D520	RTR600059	3

Ø5.30 - Ø5.50 Diameter Range



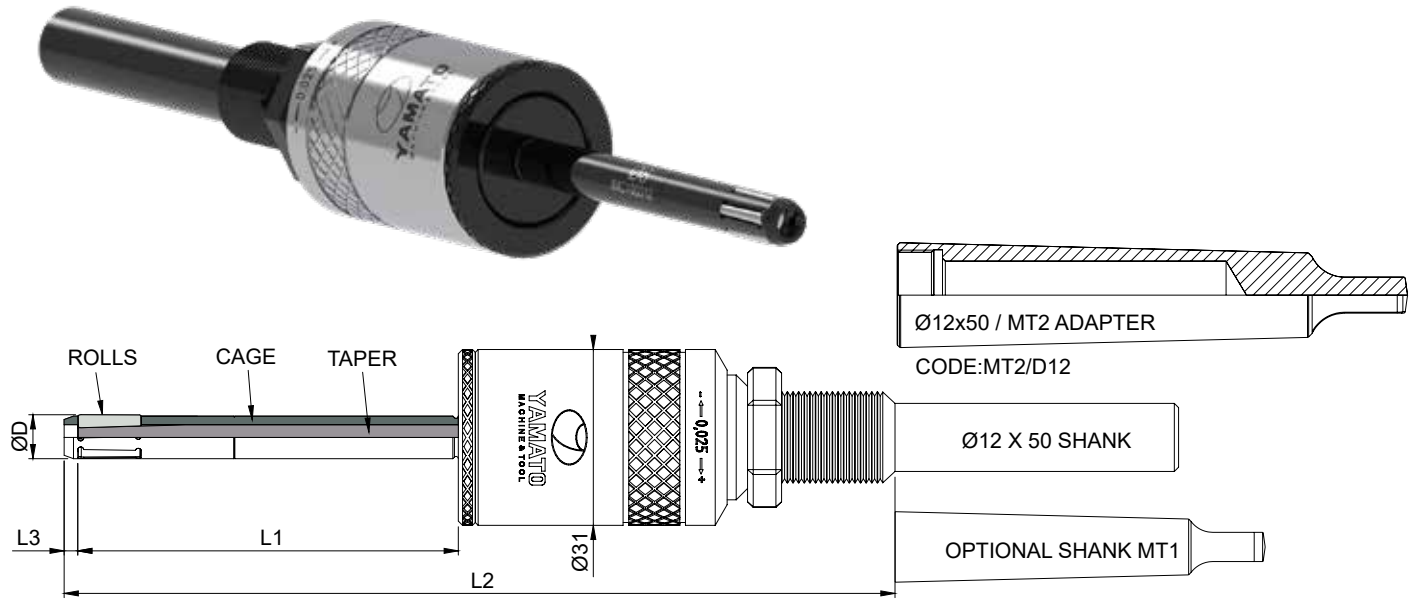
Roller Burnishing Tools Through Holes										
ØD (mm)		Lenght (mm)			TOOL CODE		SPARE PARTS			
Nominal	Range	1	2	3	Assembly with Straight Shank	Assembly with Morse Taper Shank	Cage	Taper	Rolls	
									code	qty
5.30	5,25 - 5,45	10	76	1	CPL00053003059MFL10	CPL10053003059MFL10	IMC10D530	IMT59D530	RTR600059	3
		15	81	1	CPL00053003059MFL15	CPL10053003059MFL15	IMC15D530	IMT64D530	RTR600059	3
		20	86	1	CPL00053003059MFL20	CPL10053003059MFL20	IMC20D530	IMT69D530	RTR600059	3
		25	91	1	CPL00053003059MFL25	CPL10053003059MFL25	IMC25D530	IMT74D530	RTR600059	3
		30	96	1	CPL00053003059MFL30	CPL10053003059MFL30	IMC30D530	IMT79D530	RTR600059	3
		35	101	1	CPL00053003059MFL35	CPL10053003059MFL35	IMC35D530	IMT84D530	RTR600059	3
		40	106	1	CPL00053003059MFL40	CPL10053003059MFL40	IMC40D530	IMT89D530	RTR600059	3
		45	111	1	CPL00053003059MFL45	CPL10053003059MFL45	IMC45D530	IMT94D530	RTR600059	3
5.40	5,35 - 5,55	50	116	1	CPL00053003059MFL50	CPL10053003059MFL50	IMC50D530	IMT99D530	RTR600059	3
		10	76	1	CPL00054003059MFL10	CPL10054003059MFL10	IMC10D540	IMT59D540	RTR600059	3
		15	81	1	CPL00054003059MFL15	CPL10054003059MFL15	IMC15D540	IMT64D540	RTR600059	3
		20	86	1	CPL00054003059MFL20	CPL10054003059MFL20	IMC20D540	IMT69D540	RTR600059	3
		25	91	1	CPL00054003059MFL25	CPL10054003059MFL25	IMC25D540	IMT74D540	RTR600059	3
		30	96	1	CPL00054003059MFL30	CPL10054003059MFL30	IMC30D540	IMT79D540	RTR600059	3
		35	101	1	CPL00054003059MFL35	CPL10054003059MFL35	IMC35D540	IMT84D540	RTR600059	3
		40	106	1	CPL00054003059MFL40	CPL10054003059MFL40	IMC40D540	IMT89D540	RTR600059	3
5.50	5,45 - 5,65	45	111	1	CPL00054003059MFL45	CPL10054003059MFL45	IMC45D540	IMT94D540	RTR600059	3
		50	116	1	CPL00054003059MFL50	CPL10054003059MFL50	IMC50D540	IMT99D540	RTR600059	3
		10	76	1	CPL00055003059MFL10	CPL10055003059MFL10	IMC10D550	IMT59D550	RTR600059	3
		15	81	1	CPL00055003059MFL15	CPL10055003059MFL15	IMC15D550	IMT64D550	RTR600059	3
		20	86	1	CPL00055003059MFL20	CPL10055003059MFL20	IMC20D550	IMT69D550	RTR600059	3
		25	91	1	CPL00055003059MFL25	CPL10055003059MFL25	IMC25D550	IMT74D550	RTR600059	3
		30	96	1	CPL00055003059MFL30	CPL10055003059MFL30	IMC30D550	IMT79D550	RTR600059	3
		35	101	1	CPL00055003059MFL35	CPL10055003059MFL35	IMC35D550	IMT84D550	RTR600059	3
		40	106	1	CPL00055003059MFL40	CPL10055003059MFL40	IMC40D550	IMT89D550	RTR600059	3
		45	111	1	CPL00055003059MFL45	CPL10055003059MFL45	IMC45D550	IMT94D550	RTR600059	3
		50	116	1	CPL00055003059MFL50	CPL10055003059MFL50	IMC50D550	IMT99D550	RTR600059	3

ROLLER BURNISHING TOOLS

INTERNAL DIAMETER
THROUGH HOLES

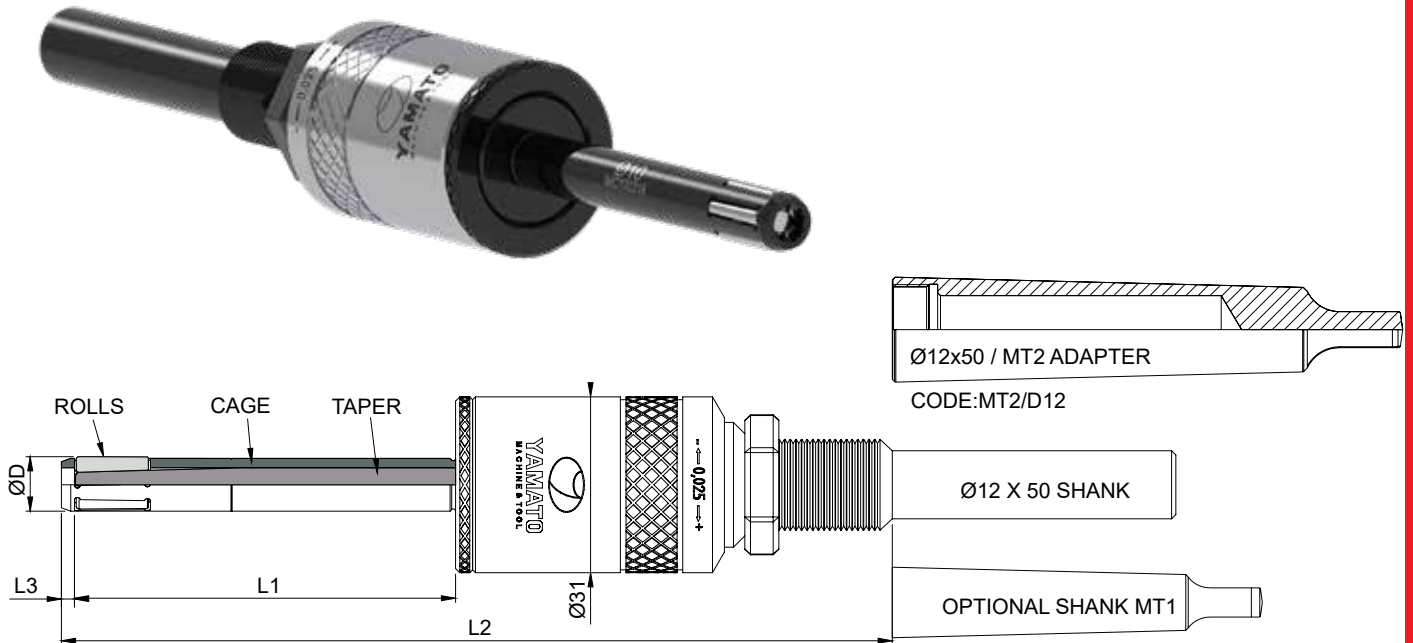


Diameter Range $\varnothing 5.60 - \varnothing 8.50$



Roller Burnishing Tools Through Holes										
ØD (mm)		Lenght (mm)			TOOL CODE		SPARE PARTS			
Nominal	Range	1	2	3	Assembly with Straight Shank	Assembly with Morse Taper Shank	Cage	Taper	Rolls	
									code	qty
5.60	5.50-5.90	17	93	2	CPL00056003070MFL15	CPL10056003070MFL15	IMC041306-0220	IMT058412-0075	RTR600070	3
		36	113	2	CPL00056003070MFL35	CPL10056003070MFL35	IMC060306-0220	IMT078412-0075	RTR600070	3
	5.50-6.00	67	146	2	CPL00056003070MF	CPL10056003070MF	IMC100306-0220	IMT100412-0075	RTR600070	3
6	5.90-6.30	17	93	2	CPL00060003070MFL15	CPL10060003070MFL15	IMC041308	IMT058416	RTR600070	3
		36	113	2	CPL00060003070MFL35	CPL10060003070MFL35	IMC060308	IMT078416	RTR600070	3
	5.90-6.40	67	146	2	CPL00060003070MF	CPL10060003070MF	IMC100308	IMT100416	RTR600070	3
		103	182	2	CPL00060003070MFL	CPL10060003070MFL	IMC101308	IMT101416	RTR600070	3
		150	229	2	CPL00060003070MFL150	CPL10060003070MFL150	IMC174308	IMT194416	RTR600070	3
6.50	6.40-6.80	17	93	2	CPL00065003070MFL15	CPL10065003070MFL15	IMC041309	IMT058418	RTR600070	3
		36	113	2	CPL00065003070MFL35	CPL10065003070MFL35	IMC060309	IMT078418	RTR600070	3
	6.40-6.90	67	146	2	CPL00065003070MF	CPL10065003070MF	IMC100309	IMT100418	RTR600070	3
		103	182	2	CPL00065003070MFL	CPL10065003070MFL	IMC101309	IMT101418	RTR600070	3
		150	229	2	CPL00065003070MFL150	CPL10065003070MFL150	IMC174309	IMT194418	RTR600070	3
7	6.90-7.30	17	93	2	CPL00070003078MFL15	CPL10070003078MFL15	IMC041310	IMT058420	RTR600078	3
		36	113	2	CPL00070003078MFL35	CPL10070003078MFL35	IMC060310	IMT078420	RTR600078	3
	6.90-7.40	67	146	2	CPL00070003078MF	CPL10070003078MF	IMC100310	IMT100420	RTR600078	3
		103	182	2	CPL00070003078MFL	CPL10070003078MFL	IMC101310	IMT101420	RTR600078	3
		150	229	2	CPL00070003078MFL150	CPL10070003078MFL150	IMC174310	IMT194420	RTR600078	3
7.50	7.40-7.80	17	93	2	CPL00075003078MFL15	CPL10075003078MFL15	IMC041311	IMT058422	RTR600078	3
		36	113	2	CPL00075003078MFL35	CPL10075003078MFL35	IMC060311	IMT078422	RTR600078	3
	7.40-7.90	67	146	2	CPL00075003078MF	CPL10075003078MF	IMC100311	IMT100422	RTR600078	3
		103	182	2	CPL00075003078MFL	CPL10075003078MFL	IMC101311	IMT101422	RTR600078	3
		150	229	2	CPL00075003078MFL150	CPL10075003078MFL150	IMC174311	IMT194422	RTR600078	3
8	7.90-8.30	17	93	2.25	CPL00080005090MFL15	CPL10080005090MFL15	IMC041312	IMT058424	RTR600090	5
		36	113	2.25	CPL00080005090MFL35	CPL10080005090MFL35	IMC060312	IMT078424	RTR600090	5
	7.90-8.40	67	146	2.25	CPL00080005090MF	CPL10080005090MF	IMC100312	IMT100424	RTR600090	5
		103	182	2.25	CPL00080005090MFL	CPL10080005090MFL	IMC101312	IMT101424	RTR600090	5
		150	229	2.25	CPL00080005090MFL150	CPL10080005090MFL150	IMC174312	IMT194424	RTR600090	5
8.50	8.40-8.80	17	93	2.25	CPL00085005090MFL15	CPL10085005090MFL15	IMC041313	IMT058426	RTR600090	5
		36	113	2.25	CPL00085005090MFL35	CPL10085005090MFL35	IMC060313	IMT078426	RTR600090	5
	8.40-8.90	67	146	2.25	CPL00085005090MF	CPL10085005090MF	IMC100313	IMT100426	RTR600090	5
		103	182	2.25	CPL00085005090MFL	CPL10085005090MFL	IMC101313	IMT101426	RTR600090	5
		150	229	2.25	CPL00085005090MFL150	CPL10085005090MFL150	IMC174313	IMT194426	RTR600090	5

Ø9 - Ø11 Diameter Range



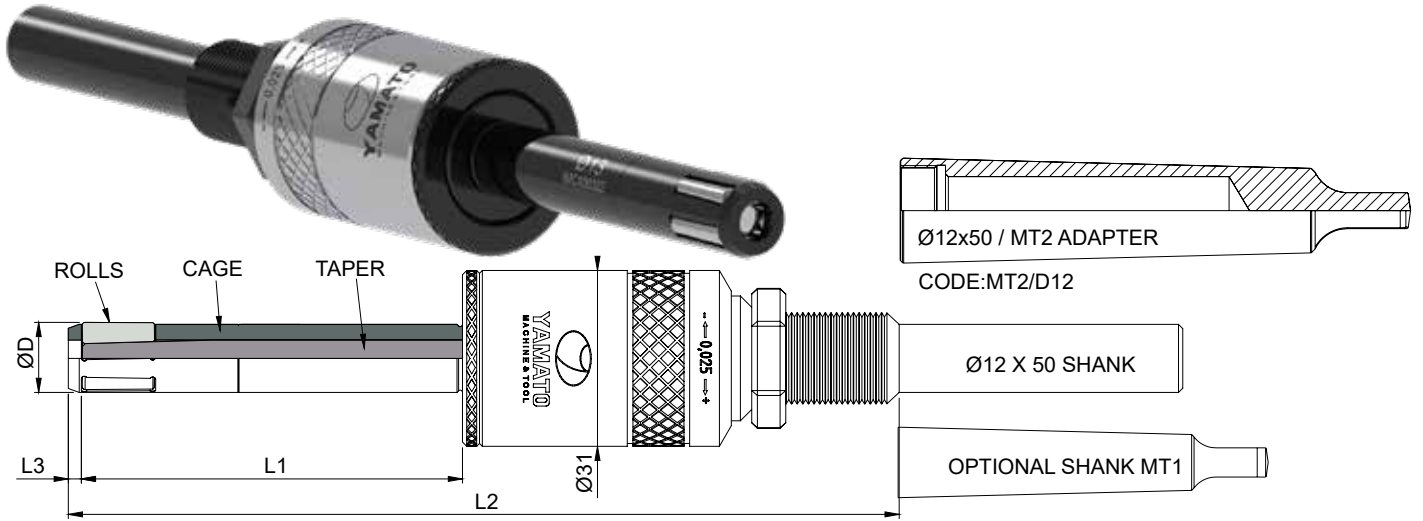
Roller Burnishing Tools Through Holes										
ØD (mm)		Lenght (mm)			TOOL CODE			SPARE PARTS		
Nominal	Range	1	2	3	Assembly with Straight Shank	Assembly with Morse Taper Shank	Cage	Taper	Rolls	
									code	qty
9	8.90-9.30	17	93	2.5	CPL00090005109MFL15	CPL10090005109MFL15	IMC041314-H0177	IMT058428-DZ0173	RTR600109	5
		36	113	2.5	CPL00090005109MFL35	CPL10090005109MFL35	IMC060314	IMT078428	RTR600109	5
	8.90-9.40	67	146	2.5	CPL00090005109MF	CPL10090005109MF	IMC100314	IMT100428	RTR600109	5
		103	182	2.5	CPL00090005109MFL	CPL10090005109MFL	IMC101314	IMT101428	RTR600109	5
		150	229	2.5	CPL00090005109MFL150	CPL10090005109MFL150	IMC174314	IMT194428	RTR600109	5
9.50	9.40-9.80	17	93	2.5	CPL00095005109MFL15	CPL10095005109MFL15	IMC041315-H0197	IMT058430-DZ0193	RTR600109	5
		36	113	2.5	CPL00095005109MFL35	CPL10095005109MFL35	IMC060315	IMT078430	RTR600109	5
	9.40-9.90	67	146	2.5	CPL00095005109MF	CPL10095005109MF	IMC100315	IMT100430	RTR600109	5
		103	182	2.5	CPL00095005109MFL	CPL10095005109MFL	IMC101315	IMT101430	RTR600109	5
		150	229	2.5	CPL00095005109MFL150	CPL10095005109MFL150	IMC174315	IMT194430	RTR600109	5
10	9.90-10.30	17	93	2.5	CPL00100005109MFL15	CPL10100005109MFL15	IMC041316-H0217	IMT058432-DZ0213	RTR600109	5
		36	113	2.5	CPL00100005109MFL35	CPL10100005109MFL35	IMC060316	IMT078432	RTR600109	5
	9.90-10.40	67	146	2.5	CPL00100005109MF	CPL10100005109MF	IMC100316	IMT100432	RTR600109	5
		103	182	2.5	CPL00100005109MFL	CPL10100005109MFL	IMC101316	IMT101432	RTR600109	5
		150	229	2.5	CPL00100005109MFL150	CPL10100005109MFL150	IMC174316	IMT194432	RTR600109	5
10.50	10.40-10.80	17	93	2.5	CPL00105005125MFL15	CPL10105005125MFL15	IMC041317-H0197	IMT058434-DZ0193	RTR600125	5
		36	113	2.5	CPL00105005125MFL35	CPL10105005125MFL35	IMC060317	IMT078434	RTR600125	5
	10.40-10.90	67	146	2.5	CPL00105005125MF	CPL10105005125MF	IMC100317	IMT100434	RTR600125	5
		103	182	2.5	CPL00105005125MFL	CPL10105005125MFL	IMC101317	IMT101434	RTR600125	5
		150	229	2.5	CPL00105005125MFL150	CPL10105005125MFL150	IMC174317	IMT194434	RTR600125	5
11	10.90-11.30	17	93	2.5	CPL00110005125MFL15	CPL10110005125MFL15	IMC041318-H0217	IMT058436-DZ0213	RTR600125	5
		36	113	2.5	CPL00110005125MFL35	CPL10110005125MFL35	IMC060318	IMT078436	RTR600125	5
	10.90-11.40	67	146	2.5	CPL00110005125MF	CPL10110005125MF	IMC100318	IMT100436	RTR600125	5
		103	182	2.5	CPL00110005125MFL	CPL10110005125MFL	IMC101318	IMT101436	RTR600125	5
		150	229	2.5	CPL00110005125MFL150	CPL10110005125MFL150	IMC174318	IMT194436	RTR600125	5

ROLLER BURNISHING TOOLS

INTERNAL DIAMETER
THROUGH HOLES



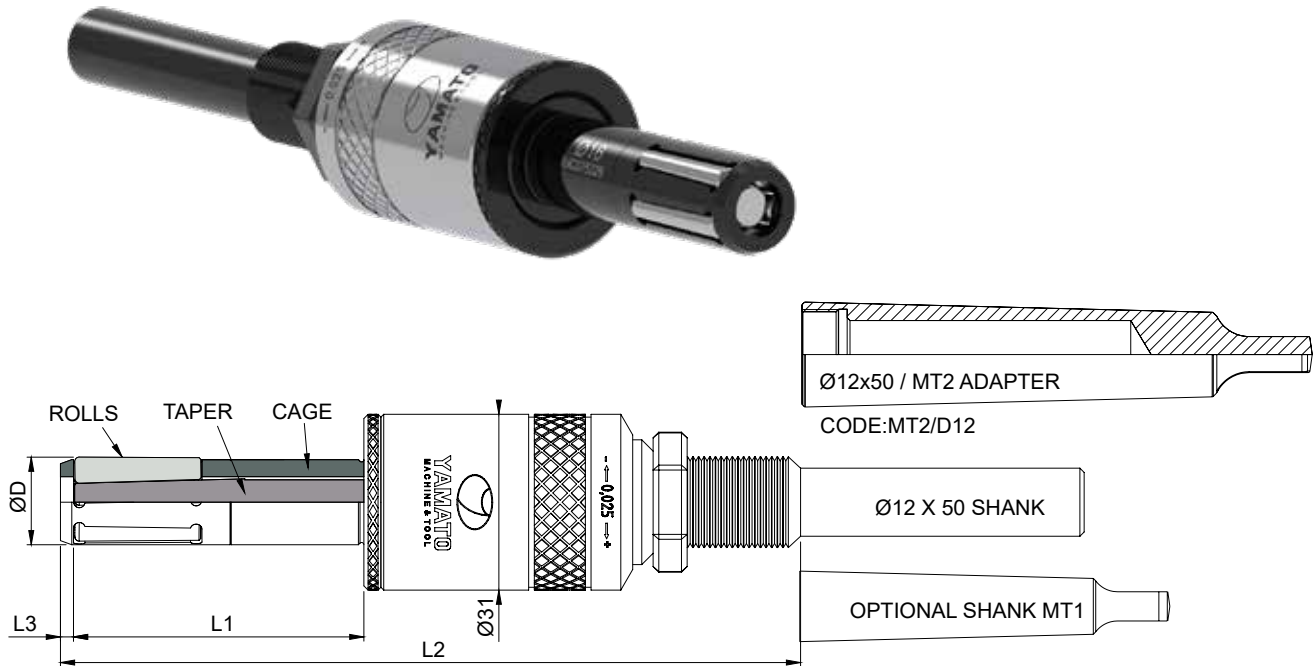
Diameter Range $\varnothing 11.50 - \varnothing 14.50$



Roller Burnishing Tools | Through Holes

ØD (mm)		Lenght (mm)			TOOL CODE		SPARE PARTS			
Nominal	Range	1	2	3	Assembly with Straight Shank	Assembly with Morse Taper Shank	Cage	Taper	Rolls	
									code	qty
11.50	11.40-11.80	17	93	2.5	CPL00115005148MFL15	CPL10115005148MFL15	IMC041319-H0197	IMT058438-DZ0193	RTR600148	5
		36	113	2.5	CPL00115005148MFL35	CPL10115005148MFL35	IMC060319	IMT078438	RTR600148	5
		67	146	2.5	CPL00115005148MF	CPL10115005148MF	IMC100319	IMT100438	RTR600148	5
	11.40-11.90	103	182	2.5	CPL00115005148MFL	CPL10115005148MFL	IMC101319	IMT101438	RTR600148	5
		150	229	2.5	CPL00115005148MFL150	CPL10115005148MFL150	IMC174319	IMT194438	RTR600148	5
12	11.90-12.30	17	93	2.5	CPL00120005148MFL15	CPL10120005148MFL15	IMC041320-H0217	IMT058440-DZ0213	RTR600148	5
		36	113	2.5	CPL00120005148MFL35	CPL10120005148MFL35	IMC060320	IMT078440	RTR600148	5
		67	146	2.5	CPL00120005148MF	CPL10120005148MF	IMC100320	IMT100440	RTR600148	5
	11.90-12.40	103	182	2.5	CPL00120005148MFL	CPL10120005148MFL	IMC101320	IMT101440	RTR600148	5
		150	229	2.5	CPL00120005148MFL150	CPL10120005148MFL150	IMC174320	IMT194440	RTR600148	5
12.50	12.40-12.80	17	93	2.5	CPL00125005148MFL15	CPL10125005148MFL15	IMC041321-H0236	IMT058442-DZ0232	RTR600148	5
		36	113	2.5	CPL00125005148MFL35	CPL10125005148MFL35	IMC060321	IMT078442	RTR600148	5
		67	146	2.5	CPL00125005148MF	CPL10125005148MF	IMC100321	IMT100442	RTR600148	5
	12.40-12.80	103	182	2.5	CPL00125005148MFL	CPL10125005148MFL	IMC101321	IMT101442	RTR600148	5
		150	229	2.5	CPL00125005148MFL150	CPL10125005148MFL150	IMC174321	IMT194442	RTR600148	5
13	12.90-13.30	17	93	2.5	CPL00130005148MFL15	CPL10130005148MFL15	IMC041322-H0256	IMT058444-DZ0252	RTR600148	5
		36	113	2.5	CPL00130005148MFL35	CPL10130005148MFL35	IMC060322	IMT078444	RTR600148	5
		67	146	2.5	CPL00130005148MF	CPL10130005148MF	IMC100322	IMT100444	RTR600148	5
	12.90-13.40	103	182	2.5	CPL00130005148MFL	CPL10130005148MFL	IMC101322	IMT101444	RTR600148	5
		150	229	2.5	CPL00130005148MFL150	CPL10130005148MFL150	IMC174322	IMT194444	RTR600148	5
13.50	13.40-13.80	17	93	2.5	CPL00135005148MFL15	CPL10135005148MFL15	IMC041323-H0276	IMT058446-DZ0272	RTR600148	5
		36	113	2.5	CPL00135005148MFL35	CPL10135005148MFL35	IMC060323	IMT078446	RTR600148	5
		67	146	2.5	CPL00135005148MF	CPL10135005148MF	IMC100323	IMT100446	RTR600148	5
	13.40-13.90	103	182	2.5	CPL00135005148MFL	CPL10135005148MFL	IMC101323	IMT101446	RTR600148	5
		150	229	2.5	CPL00135005148MFL150	CPL10135005148MFL150	IMC174323	IMT194446	RTR600148	5
14	13.90-14.30	17	93	2.5	CPL00140005148MFL15	CPL10140005148MFL15	IMC041324-H0295	IMT058448-DZ0291	RTR600148	5
		36	113	2.5	CPL00140005148MFL35	CPL10140005148MFL35	IMC060324	IMT078448	RTR600148	5
		67	146	2.5	CPL00140005148MF	CPL10140005148MF	IMC100324	IMT100448	RTR600148	5
	13.90-14.40	103	182	2.5	CPL00140005148MFL	CPL10140005148MFL	IMC101324	IMT101448	RTR600148	5
		150	229	2.5	CPL00140005148MFL150	CPL10140005148MFL150	IMC174324	IMT194448	RTR600148	5
14.50	14.40-14.80	17	93	2.5	CPL00145005148MFL15	CPL10145005148MFL15	IMC041325	IMT058450	RTR600148	5
		36	113	2.5	CPL00145005148MFL35	CPL10145005148MFL35	IMC060325	IMT078450	RTR600148	5
		67	146	2.5	CPL00145005148MF	CPL10145005148MF	IMC100325	IMT100450	RTR600148	5
	14.40-14.90	103	182	2.5	CPL00145005148MFL	CPL10145005148MFL	IMC101325	IMT101450	RTR600148	5
		150	229	2.5	CPL00145005148MFL150	CPL10145005148MFL150	IMC174325	IMT194450	RTR600148	5

Ø15 - Ø16.50 Diameter Range



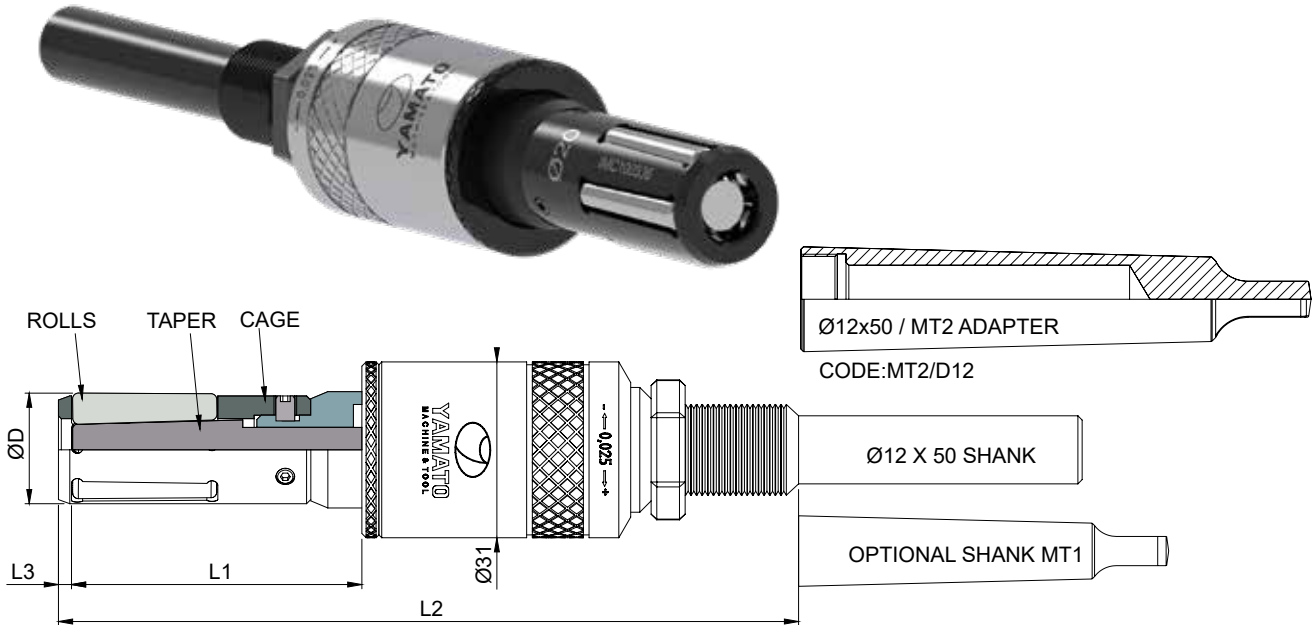
Roller Burnishing Tools Through Holes										
ØD (mm)		Lenght (mm)			TOOL CODE				SPARE PARTS	
Nominal	Range	1	2	3	Assembly with Straight Shank	Assembly with Morse Taper Shank	Cage	Taper	Rolls	
									code	qty
15	14.90-15.40	67	146	2.5	CPL00150005180MF	CPL10150005180MF	IMC100326	IMT100452	RTR600180	5
		103	182	2.5	CPL00150005180MFL	CPL10150005180MFL	IMC101326	IMT101452	RTR600180	5
		150	229	2.5	CPL00150005180MFL150	CPL10150005180MFL150	IMC174326	IMT194452	RTR600180	5
15.50	15.40-15.90	67	146	2.5	CPL00155005180MF	CPL10155005180MF	IMC100327	IMT100453	RTR600180	5
		103	182	2.5	CPL00155005180MFL	CPL10155005180MFL	IMC101327	IMT101453	RTR600180	5
		150	229	2.5	CPL00155005180MFL150	CPL10155005180MFL150	IMC174327	IMT194453	RTR600180	5
16	15.90-16.40	51	130	2.5	CPL00160005180MFL50	CPL10160005180MFL50	IMC100328	IMT095454	RTR600180	5
		103	182	2.5	CPL00160005180MFL	CPL10160005180MFL	IMC101328	IMT095454	RTR600180	5
		150	229	2.5	CPL00160005180MFL150	CPL10160005180MFL150	IMC174328	IMT095454	RTR600180	5
16.50	16.40-16.90	51	130	2.5	CPL00165005180MFL50	CPL10165005180MFL50	IMC100329	IMT095455	RTR600180	5
		103	182	2.5	CPL00165005180MFL	CPL10165005180MFL	IMC101329	IMT095455	RTR600180	5
		150	229	2.5	CPL00165005180MFL150	CPL10165005180MFL150	IMC174329	IMT095455	RTR600180	5

ROLLER BURNISHING TOOLS

INTERNAL DIAMETER
THROUGH HOLES

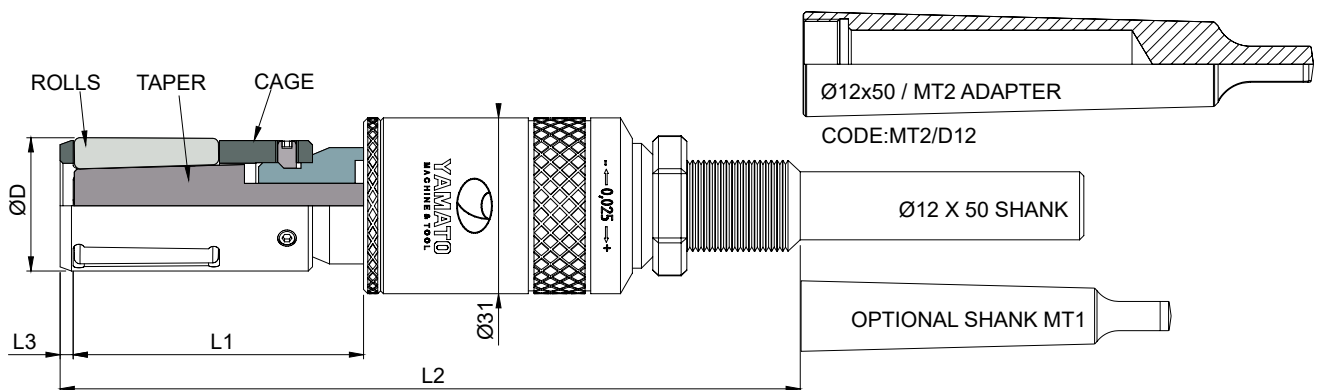


Diameter Range $\varnothing 17 - \varnothing 21$



Roller Burnishing Tools Through Holes										
ØD (mm)		Length (mm)			TOOL CODE				SPARE PARTS	
Nominal	Range	1	2	3	Assembly with Straight Shank	Assembly with Morse Taper Shank	Cage	Taper	Rolls	
									code	qty
17	16.90-17.80	42	130	2.5	CPL00170005180MFL40	CPL10170005180MFL40	IMC100330	IMT100456	RTR600180	5
		95	180	2.5	CPL00170005180MF	CPL10170005180MF	IMC100330	IMT100456	RTR600180	5
		145	230	2.5	CPL00170005180MFL145	CPL10170005180MFL145	IMC100330	IMT100456	RTR600180	5
17.50	17.40-18.30	42	130	2.5	CPL00175005180MFL40	CPL10175005180MFL40	IMC100331	IMT100457	RTR600180	5
		95	180	2.5	CPL00175005180MF	CPL10175005180MF	IMC100331	IMT100457	RTR600180	5
		145	230	2.5	CPL00175005180MFL145	CPL10175005180MFL145	IMC100331	IMT100457	RTR600180	5
18	17.90-18.80	42	130	2.5	CPL00180005180MFL40	CPL10180005180MFL40	IMC100332	IMT100458	RTR600180	5
		95	180	2.5	CPL00180005180MF	CPL10180005180MF	IMC100332	IMT100458	RTR600180	5
		145	230	2.5	CPL00180005180MFL145	CPL10180005180MFL145	IMC100332	IMT100458	RTR600180	5
18.50	18.40-19.30	42	130	2.5	CPL00185005180MFL40	CPL10185005180MFL40	IMC100333	IMT100459	RTR600180	5
		95	180	2.5	CPL00185005180MF	CPL10185005180MF	IMC100333	IMT100459	RTR600180	5
		145	230	2.5	CPL00185005180MFL145	CPL10185005180MFL145	IMC100333	IMT100459	RTR600180	5
19	18.90-19.80	42	130	2.5	CPL00190005218MFL40	CPL10190005218MFL40	IMC100334	IMT100460	RTR600218	5
		95	180	2.5	CPL00190005218MF	CPL10190005218MF	IMC100334	IMT100460	RTR600218	5
		145	230	2.5	CPL00190005218MFL145	CPL10190005218MFL145	IMC100334	IMT100460	RTR600218	5
19.50	19.40-20.30	42	130	2.5	CPL00195005218MFL40	CPL10195005218MFL40	IMC100335	IMT100461	RTR600218	5
		95	180	2.5	CPL00195005218MF	CPL10195005218MF	IMC100335	IMT100461	RTR600218	5
		145	230	2.5	CPL00195005218MFL145	CPL10195005218MFL145	IMC100335	IMT100461	RTR600218	5
20	19.90-20.80	42	130	2.5	CPL00200005218MFL40	CPL10200005218MFL40	IMC100336	IMT100462	RTR600218	5
		95	180	2.5	CPL00200005218MF	CPL10200005218MF	IMC100336	IMT100462	RTR600218	5
		145	230	2.5	CPL00200005218MFL145	CPL10200005218MFL145	IMC100336	IMT100462	RTR600218	5
20.50	20.40-21.30	42	130	2.5	CPL00205005218MFL40	CPL10205005218MFL40	IMC100337	IMT100463	RTR600218	5
		95	180	2.5	CPL00205005218MF	CPL10205005218MF	IMC100337	IMT100463	RTR600218	5
		145	230	2.5	CPL00205005218MFL145	CPL10205005218MFL145	IMC100337	IMT100463	RTR600218	5
21	20.90-21.80	42	130	2.5	CPL00210005218MFL40	CPL10210005218MFL40	IMC100338	IMT100464	RTR600218	5
		95	180	2.5	CPL00210005218MF	CPL10210005218MF	IMC100338	IMT100464	RTR600218	5
		145	230	2.5	CPL00210005218MFL145	CPL10210005218MFL145	IMC100338	IMT100464	RTR600218	5

Ø21.50 - Ø24 Diameter Range



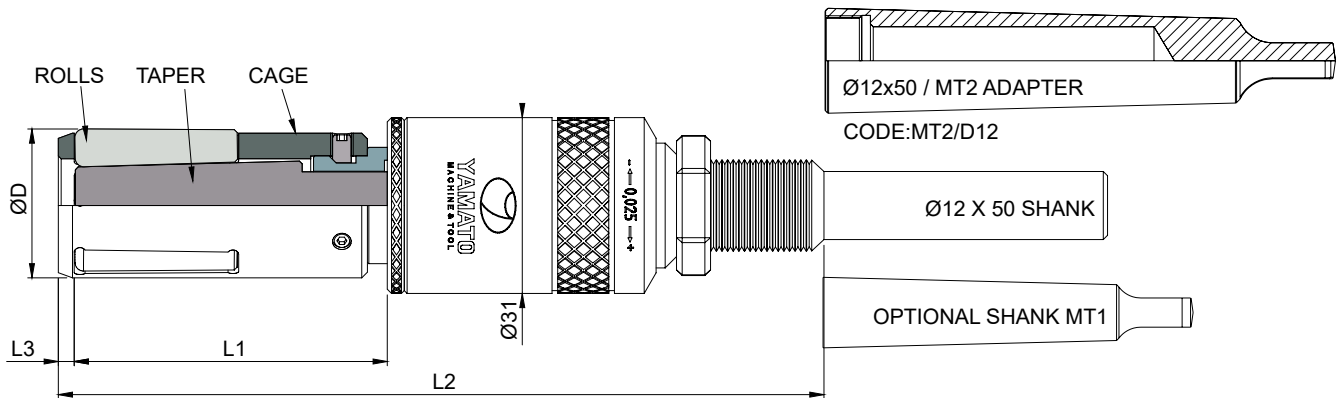
Roller Burnishing Tools Through Holes										
ØD (mm)		Lenght (mm)			TOOL CODE				SPARE PARTS	
Nominal	Range	1	2	3	Assembly with Straight Shank	Assembly with Morse Taper Shank	Cage	Taper	Rolls	
									code	qty
21.50	21.40-22.30	50	130	2.5	CPL00215005218MFL50	CPL10215005218MFL50	IMC100339	IMT100465	RTR600218	5
		102	180	2.5	CPL00215005218MF	CPL10215005218MF	IMC100339	IMT100465	RTR600218	5
		152	230	2.5	CPL00215005218MFL150	CPL10215005218MFL150	IMC100339	IMT100465	RTR600218	5
22	21.90-22.80	50	130	2.5	CPL00220005218MFL50	CPL10220005218MFL50	IMC100340	IMT100466	RTR600218	5
		102	180	2.5	CPL00220005218MF	CPL10220005218MF	IMC100340	IMT100466	RTR600218	5
		152	230	2.5	CPL00220005218MFL150	CPL10220005218MFL150	IMC100340	IMT100466	RTR600218	5
22.50	22.40-23.30	50	130	2.5	CPL00225005218MFL50	CPL10225005218MFL50	IMC100341	IMT100467	RTR600218	5
		102	180	2.5	CPL00225005218MF	CPL10225005218MF	IMC100341	IMT100467	RTR600218	5
		152	230	2.5	CPL00225005218MFL150	CPL10225005218MFL150	IMC100341	IMT100467	RTR600218	5
23	22.90-23.80	50	130	2.5	CPL00230005218MFL50	CPL10230005218MFL50	IMC100342	IMT100468	RTR600218	5
		102	180	2.5	CPL00230005218MF	CPL10230005218MF	IMC100342	IMT100468	RTR600218	5
		152	230	2.5	CPL00230005218MFL150	CPL10230005218MFL150	IMC100342	IMT100468	RTR600218	5
23.50	23.40-24.30	50	130	2.5	CPL00235005218MFL50	CPL10235005218MFL50	IMC100343	IMT100469	RTR600218	5
		102	180	2.5	CPL00235005218MF	CPL10235005218MF	IMC100343	IMT100469	RTR600218	5
		152	230	2.5	CPL00235005218MFL150	CPL10235005218MFL150	IMC100343	IMT100469	RTR600218	5
24	23.90-24.80	50	130	2.5	CPL00240005218MFL50	CPL10240005218MFL50	IMC100344	IMT100470	RTR600218	5
		102	180	2.5	CPL00240005218MF	CPL10240005218MF	IMC100344	IMT100470	RTR600218	5
		152	230	2.5	CPL00240005218MFL150	CPL10240005218MFL150	IMC100344	IMT100470	RTR600218	5

ROLLER BURNISHING TOOLS

INTERNAL DIAMETER
THROUGH HOLES

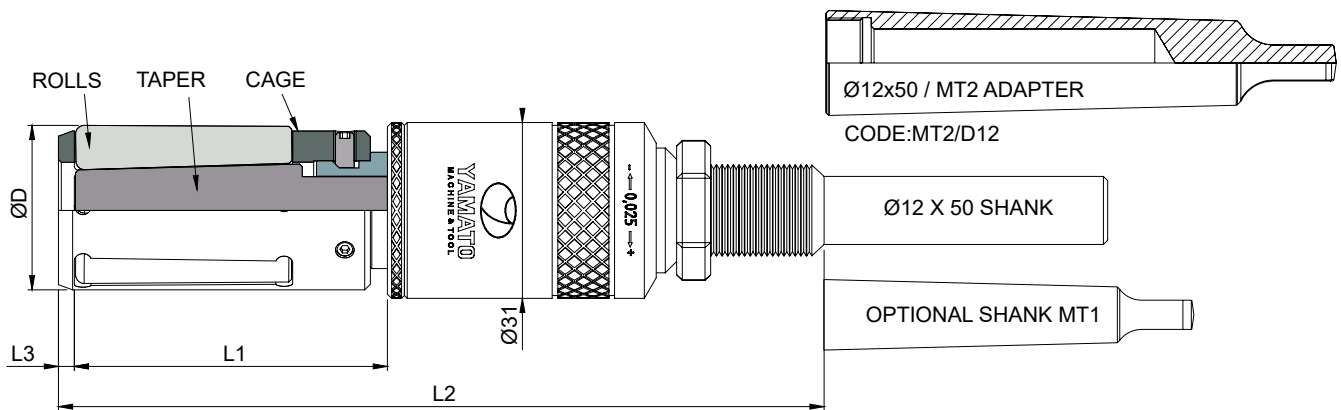


Diameter Range $\varnothing 24.50 - \varnothing 27.50$



Roller Burnishing Tools Through Holes											
ØD (mm)		Lenght (mm)			TOOL CODE				SPARE PARTS		
Nominal	Range	1	2	3	Assembly with Straight Shank	Assembly with Morse Taper Shank	Cage	Taper	Rolls		
									code	qty	
24.50	24.40-25.30	56	135	2.5	CPL00245005218MFL55	CPL10245005218MFL55	IMC100345	IMT100471	RTR600218	5	
		106	185	2.5	CPL00245005218MF	CPL10245005218MF	IMC100345	IMT100471	RTR600218	5	
		156	235	2.5	CPL00245005218MFL155	CPL10245005218MFL155	IMC100345	IMT100471	RTR600218	5	
25	24.90-25.80	56	135	3	CPL00250005265MFL55	CPL10250005265MFL55	IMC100346	IMT100472	RTR600265	5	
		106	185	3	CPL00250005265MF	CPL10250005265MF	IMC100346	IMT100472	RTR600265	5	
		156	235	3	CPL00250005265MFL155	CPL10250005265MFL155	IMC100346	IMT100472	RTR600265	5	
25.50	25.40-26.30	56	135	3	CPL00255005265MFL55	CPL10255005265MFL55	IMC100347	IMT100473	RTR600265	5	
		106	185	3	CPL00255005265MF	CPL10255005265MF	IMC100347	IMT100473	RTR600265	5	
		156	235	3	CPL00255005265MFL155	CPL10255005265MFL155	IMC100347	IMT100473	RTR600265	5	
26	25.90-26.80	56	135	3	CPL00260005265MFL55	CPL10260005265MFL55	IMC100348	IMT100474	RTR600265	5	
		106	185	3	CPL00260005265MF	CPL10260005265MF	IMC100348	IMT100474	RTR600265	5	
		156	235	3	CPL00260005265MFL155	CPL10260005265MFL155	IMC100348	IMT100474	RTR600265	5	
26.50	26.40-27.30	56	135	3	CPL00265005265MFL55	CPL10265005265MFL55	IMC100349	IMT100475	RTR600265	5	
		106	185	3	CPL00265005265MF	CPL10265005265MF	IMC100349	IMT100475	RTR600265	5	
		156	235	3	CPL00265005265MFL155	CPL10265005265MFL155	IMC100349	IMT100475	RTR600265	5	
27	26.90-27.80	56	135	3	CPL00270005265MFL55	CPL10270005265MFL55	IMC100350	IMT100476	RTR600265	5	
		106	185	3	CPL00270005265MF	CPL10270005265MF	IMC100350	IMT100476	RTR600265	5	
		156	235	3	CPL00270005265MFL155	CPL10270005265MFL155	IMC100350	IMT100476	RTR600265	5	
27.50	27.40-28.30	56	135	3	CPL00275005265MFL55	CPL10275005265MFL55	IMC100351	IMT100477	RTR600265	5	
		106	185	3	CPL00275005265MF	CPL10275005265MF	IMC100351	IMT100477	RTR600265	5	
		156	235	3	CPL00275005265MFL155	CPL10275005265MFL155	IMC100351	IMT100477	RTR600265	5	

Ø28 - Ø31.5 Diameter Range



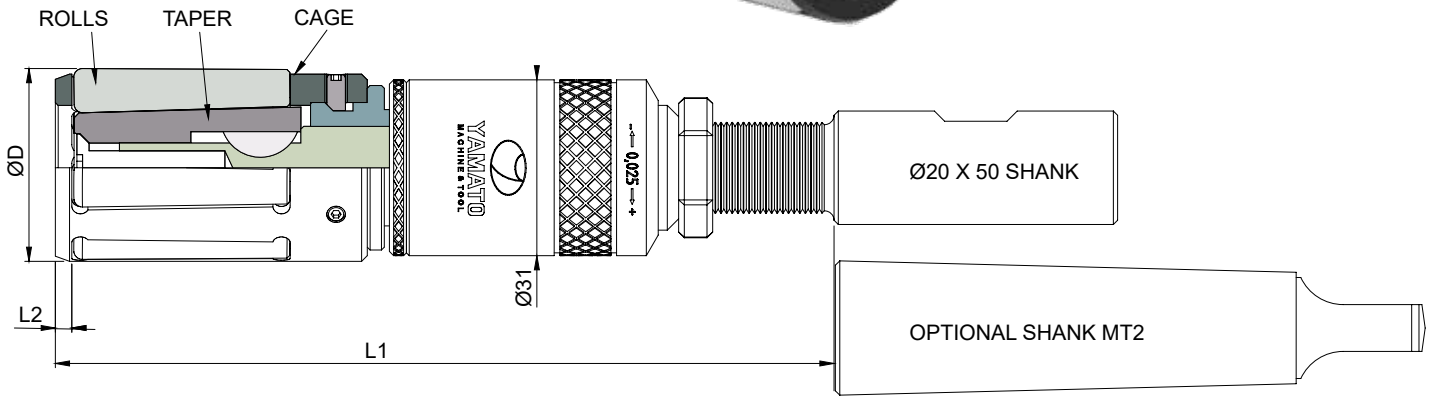
Roller Burnishing Tools Through Holes										
ØD (mm)		Lenght (mm)			TOOL CODE				SPARE PARTS	
Nominal	Range	1	2	3	Assembly with Straight Shank	Assembly with Morse Taper Shank	Cage	Taper	Rolls	
									code	qty
28	27.90-28.80	56	135	3	CPL00280005310MFL55	CPL10280005310MFL55	IMC100352	IMT100478	RTR600310	5
		106	185	3	CPL00280005310MF	CPL10280005310MF	IMC100352	IMT100478	RTR600310	5
		156	235	3	CPL00280005310MFL155	CPL10280005310MFL155	IMC100352	IMT100478	RTR600310	5
28.50	28.40-29.30	56	135	3	CPL00285005310MFL55	CPL10285005310MFL55	IMC100353	IMT100479	RTR600310	5
		106	185	3	CPL00285005310MF	CPL10285005310MF	IMC100353	IMT100479	RTR600310	5
		156	235	3	CPL00285005310MFL155	CPL10285005310MFL155	IMC100353	IMT100479	RTR600310	5
29	28.90-29.80	56	135	3	CPL00290005310MFL55	CPL10290005310MFL55	IMC100354	IMT100480	RTR600310	5
		106	185	3	CPL00290005310MF	CPL10290005310MF	IMC100354	IMT100480	RTR600310	5
		156	235	3	CPL00290005310MFL155	CPL10290005310MFL155	IMC100354	IMT100480	RTR600310	5
29.50	29.40-30.30	56	135	3	CPL00295005310MFL55	CPL10295005310MFL55	IMC100355	IMT100481	RTR600310	5
		106	185	3	CPL00295005310MF	CPL10295005310MF	IMC100355	IMT100481	RTR600310	5
		156	235	3	CPL00295005310MFL155	CPL10295005310MFL155	IMC100355	IMT100481	RTR600310	5
30	29.90-30.80	56	135	3	CPL00300005310MFL55	CPL10300005310MFL55	IMC100356	IMT100482	RTR600310	5
		106	185	3	CPL00300005310MF	CPL10300005310MF	IMC100356	IMT100482	RTR600310	5
		156	235	3	CPL00300005310MFL155	CPL10300005310MFL155	IMC100356	IMT100482	RTR600310	5
30.50	30.40-31.30	56	135	3	CPL00305005310MFL55	CPL10305005310MFL55	IMC100357	IMT100483	RTR600310	5
		106	185	3	CPL00305005310MF	CPL10305005310MF	IMC100357	IMT100483	RTR600310	5
		156	235	3	CPL00305005310MFL155	CPL10305005310MFL155	IMC100357	IMT100483	RTR600310	5
31	30.90-31.80	56	135	3	CPL00310005310MFL55	CPL10310005310MFL55	IMC100358	IMT100484	RTR600310	5
		106	185	3	CPL00310005310MF	CPL10310005310MF	IMC100358	IMT100484	RTR600310	5
		156	235	3	CPL00310005310MFL155	CPL10310005310MFL155	IMC100358	IMT100484	RTR600310	5
31.50	31.40-32.30	56	135	3	CPL00315005310MFL55	CPL10315005310MFL55	IMC100359	IMT100485	RTR600310	5
		106	185	3	CPL00315005310MF	CPL10315005310MF	IMC100359	IMT100485	RTR600310	5
		156	235	3	CPL00315005310MFL155	CPL10315005310MFL155	IMC100359	IMT100485	RTR600310	5

ROLLER BURNISHING TOOLS

INTERNAL DIAMETER
THROUGH HOLES



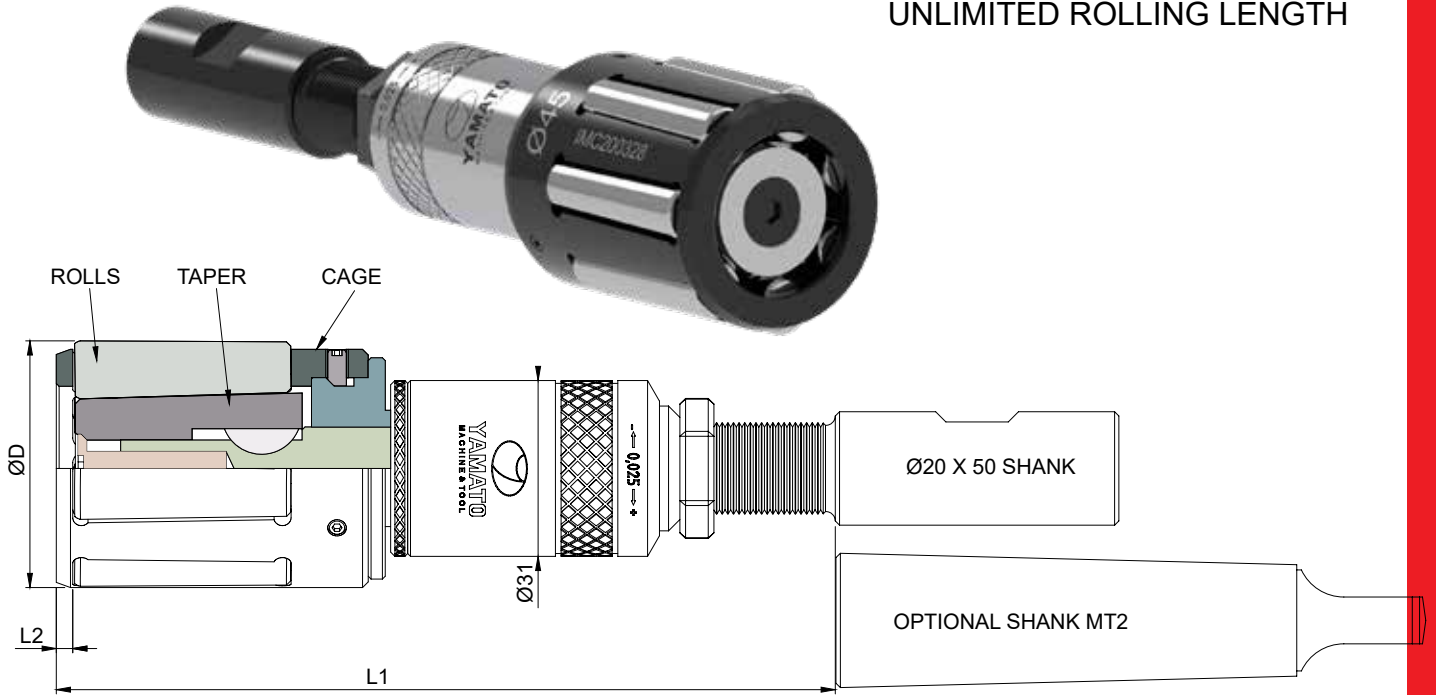
Diameter Range $\varnothing 32 - \varnothing 39.50$
UNLIMITED ROLLING LENGTH



Roller Burnishing Tools | Through Holes

ØD (mm)		Lenght (mm)		TOOL CODE		SPARE PARTS				
Nominal	Range	1	2	Assembly with Straight Shank	Assembly with Morse Taper Shank	Cage	Taper	Rolls		
								code	qty	
32	31,90 - 32,80	137	3.3	CPL00320005310MF	CPL20320005310MF	IMC200302	IMT200402	RTR600310	5	
32.50	32,40 - 33,30	137	3.3	CPL00325005310MF	CPL20325005310MF	IMC200303	IMT200403	RTR600310	5	
33	32,90 - 33,80	137	3.3	CPL00330005310MF	CPL20330005310MF	IMC200304	IMT200404	RTR600310	5	
33.50	33,40 - 34,30	137	3.3	CPL00335005310MF	CPL20335005310MF	IMC200305	IMT200405	RTR600310	5	
34	33,90 - 34,80	137	3.3	CPL00340007310MF	CPL20340007310MF	IMC200306	IMT200406	RTR600310	7	
34.50	34,40 - 35,30	137	3.3	CPL00345007310MF	CPL20345007310MF	IMC200307	IMT200407	RTR600310	7	
35	34,90 - 35,80	137	3.3	CPL00350007310MF	CPL20350007310MF	IMC200308	IMT200408	RTR600310	7	
35.50	35,40 - 36,30	137	3.3	CPL00355007310MF	CPL20355007310MF	IMC200309	IMT200409	RTR600310	7	
36	35,90 - 36,80	137	3.3	CPL00360007310MF	CPL20360007310MF	IMC200310	IMT200410	RTR600310	7	
36.50	36,40 - 37,30	137	3.3	CPL00365007310MF	CPL20365007310MF	IMC200311	IMT200411	RTR600310	7	
37	36,90 - 37,80	137	3.3	CPL00370007310MF	CPL20370007310MF	IMC200312	IMT200412	RTR600310	7	
37.50	37,40 - 38,30	137	3.3	CPL00375007310MF	CPL20375007310MF	IMC200313	IMT200413	RTR600310	7	
38	37,90 - 38,80	137	3.3	CPL00380007310MF	CPL20380007310MF	IMC200314	IMT200414	RTR600310	7	
38.50	38,40 - 39,30	137	3.3	CPL00385007310MF	CPL20385007310MF	IMC200315	IMT200415	RTR600310	7	
39	38,90 - 39,80	137	3.3	CPL00390007310MF	CPL20390007310MF	IMC200316	IMT200416	RTR600310	7	
39.50	39,40 - 40,30	137	3.3	CPL00395007310MF	CPL20395007310MF	IMC200317	IMT200417	RTR600310	7	

Ø40 - Ø49.50 Diameter Range
UNLIMITED ROLLING LENGTH



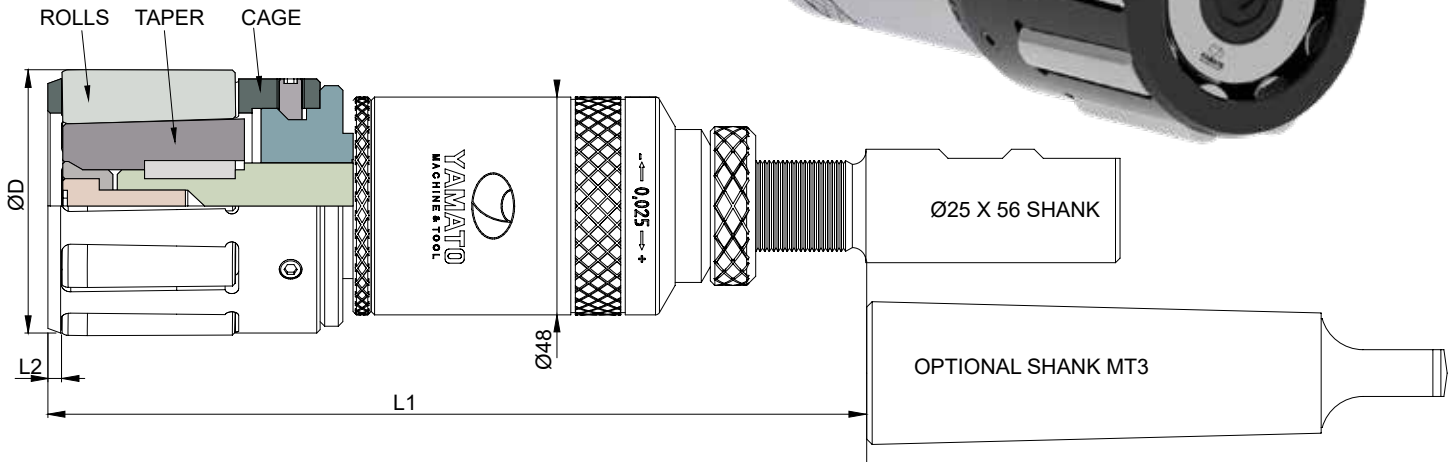
Roller Burnishing Tools Through Holes										
ØD (mm)		Lenght (mm)		TOOL CODE		SPARE PARTS				
Nominal	Range	1	2	Assembly with Straight Shank	Assembly with Morse Taper Shank	Cage	Taper	Rolls		
								code	qty	
40	39,90 - 40,80	137	3.3	CPL00400007406MF	CPL20400007406MF	IMC200318	IMT200418	RTR600406	7	
40.50	40,40 - 41,30	137	3.3	CPL00405007406MF	CPL20405007406MF	IMC200319	IMT200419	RTR600406	7	
41	40,90 - 41,80	137	3.3	CPL00410007406MF	CPL20410007406MF	IMC200320	IMT200420	RTR600406	7	
41.50	41,40 - 42,30	137	3.3	CPL00415007406MF	CPL20415007406MF	IMC200321	IMT200421	RTR600406	7	
42	41,90 - 42,80	137	3.3	CPL00420007406MF	CPL20420007406MF	IMC200322	IMT200422	RTR600406	7	
42.50	42,40 - 43,30	137	3.3	CPL00425007406MF	CPL20425007406MF	IMC200323	IMT200423	RTR600406	7	
43	42,90 - 43,80	137	3.3	CPL00430007406MF	CPL20430007406MF	IMC200324	IMT200424	RTR600406	7	
43.50	43,40 - 44,30	137	3.3	CPL00435007406MF	CPL20435007406MF	IMC200325	IMT200425	RTR600406	7	
44	43,90 - 44,80	137	3.3	CPL00440007406MF	CPL20440007406MF	IMC200326	IMT200426	RTR600406	7	
44.50	44,40 - 45,30	137	3.3	CPL00445007406MF	CPL20445007406MF	IMC200327	IMT200427	RTR600406	7	
45	44,90 - 45,80	137	3.3	CPL00450007406MF	CPL20450007406MF	IMC200328	IMT200428	RTR600406	7	
45.50	45,40 - 46,30	137	3.3	CPL00455007406MF	CPL20455007406MF	IMC200329	IMT200429	RTR600406	7	
46	45,90 - 46,80	137	3.3	CPL00460007406MF	CPL20460007406MF	IMC200330	IMT200430	RTR600406	7	
46.50	46,40 - 47,30	137	3.3	CPL00465007406MF	CPL20465007406MF	IMC200331	IMT200431	RTR600406	7	
47	46,90 - 47,80	137	3.3	CPL00470007406MF	CPL20470007406MF	IMC200332	IMT200432	RTR600406	7	
47.50	47,40 - 48,30	137	3.3	CPL00475007406MF	CPL20475007406MF	IMC200333	IMT200433	RTR600406	7	
48	47,90 - 48,80	137	3.3	CPL00480007406MF	CPL20480007406MF	IMC200334	IMT200434	RTR600406	7	
48.50	48,40 - 49,30	137	3.3	CPL00485007406MF	CPL20485007406MF	IMC200335	IMT200435	RTR600406	7	
49	48,90 - 49,80	137	3.3	CPL00490007406MF	CPL20490007406MF	IMC200336	IMT200436	RTR600406	7	
49.50	49,40 - 50,30	137	3.3	CPL00495007406MF	CPL20495007406MF	IMC200337	IMT200437	RTR600406	7	

ROLLER BURNISHING TOOLS

INTERNAL DIAMETER
THROUGH HOLES

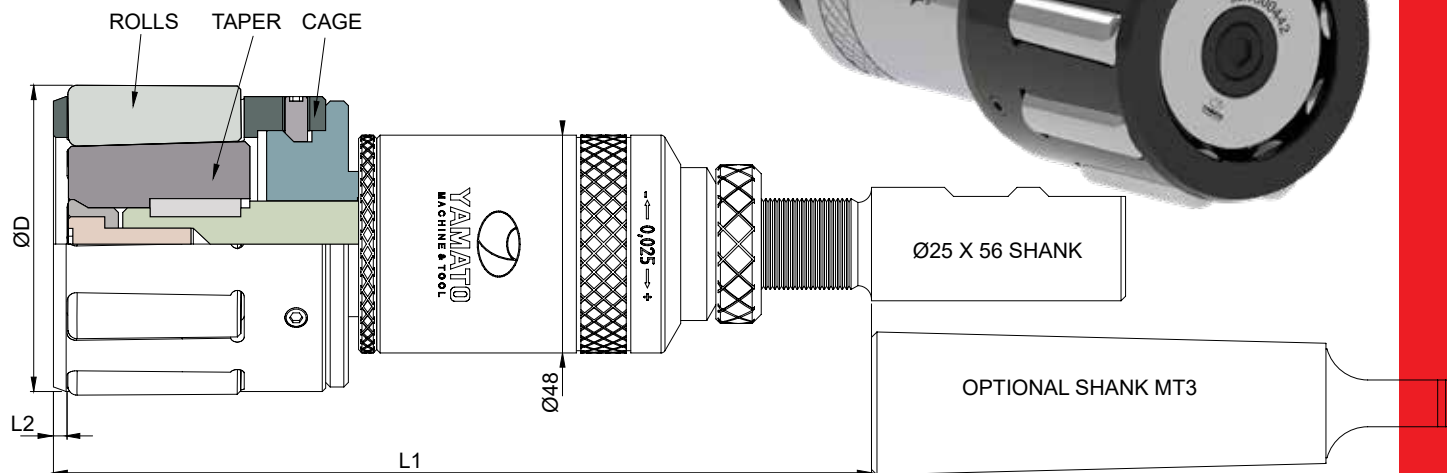


Diameter Range $\varnothing 50 - \varnothing 65.50$
UNLIMITED ROLLING LENGTH



Roller Burnishing Tools Through Holes											
ØD (mm)			Lenght (mm)		TOOL CODE				SPARE PARTS		
Nominal		Range	1	2	Assembly with Straight Shank	Assembly with Morse Taper Shank	Cage	Taper	Rolls		
									code	qty	
50	49,90	- 50,90	182	3.3	CPL00500009406MF	CPL30500009406MF	IMC300302	IMT300402	RTR600406	9	
50.50	50,40	- 51,40	182	3.3	CPL00505009406MF	CPL30505009406MF	IMC300303	IMT300403	RTR600406	9	
51	50,90	- 51,90	182	3.3	CPL00510009406MF	CPL30510009406MF	IMC300304	IMT300404	RTR600406	9	
51.50	51,40	- 52,40	182	3.3	CPL00515009406MF	CPL30515009406MF	IMC300305	IMT300405	RTR600406	9	
52	51,90	- 52,90	182	3.3	CPL00520009406MF	CPL30520009406MF	IMC300306	IMT300406	RTR600406	9	
52.50	52,40	- 53,40	182	3.3	CPL00525009406MF	CPL30525009406MF	IMC300307	IMT300407	RTR600406	9	
53	52,90	- 53,90	182	3.3	CPL00530009406MF	CPL30530009406MF	IMC300308	IMT300408	RTR600406	9	
53.50	53,40	- 54,40	182	3.3	CPL00535009406MF	CPL30535009406MF	IMC300309	IMT300409	RTR600406	9	
54	53,90	- 54,90	182	3.3	CPL00540009406MF	CPL30540009406MF	IMC300310	IMT300410	RTR600406	9	
54.50	54,40	- 55,40	182	3.3	CPL00545009406MF	CPL30545009406MF	IMC300311	IMT300411	RTR600406	9	
55	54,90	- 55,90	182	3.3	CPL00550009406MF	CPL30550009406MF	IMC300312	IMT300412	RTR600406	9	
55.50	55,40	- 56,40	182	3.3	CPL00555009406MF	CPL30555009406MF	IMC300313	IMT300413	RTR600406	9	
56	55,90	- 56,90	182	3.3	CPL00560009465MF	CPL30560009465MF	IMC300314	IMT300414	RTR600465	9	
56.50	56,40	- 57,40	182	3.3	CPL00565009465MF	CPL30565009465MF	IMC300315	IMT300415	RTR600465	9	
57	56,90	- 57,90	182	3.3	CPL00570009465MF	CPL30570009465MF	IMC300316	IMT300416	RTR600465	9	
57.50	57,40	- 58,40	182	3.3	CPL00575009465MF	CPL30575009465MF	IMC300317	IMT300417	RTR600465	9	
58	57,90	- 58,90	182	3.3	CPL00580009465MF	CPL30580009465MF	IMC300318	IMT300418	RTR600465	9	
58.50	58,40	- 59,40	182	3.3	CPL00585009465MF	CPL30585009465MF	IMC300319	IMT300419	RTR600465	9	
59	58,90	- 59,90	182	3.3	CPL00590009465MF	CPL30590009465MF	IMC300320	IMT300420	RTR600465	9	
59.50	59,40	- 60,40	182	3.3	CPL00595009465MF	CPL30595009465MF	IMC300321	IMT300421	RTR600465	9	
60	59,90	- 60,90	182	3.3	CPL00600009465MF	CPL30600009465MF	IMC300322	IMT300422	RTR600465	9	
60.50	60,40	- 61,40	182	3.3	CPL00605009465MF	CPL30605009465MF	IMC300323	IMT300423	RTR600465	9	
61	60,90	- 61,90	182	3.3	CPL00610009465MF	CPL30610009465MF	IMC300324	IMT300424	RTR600465	9	
61.50	61,40	- 62,40	182	3.3	CPL00615009465MF	CPL30615009465MF	IMC300325	IMT300425	RTR600465	9	
62	61,90	- 62,90	182	3.3	CPL00620009465MF	CPL30620009465MF	IMC300326	IMT300426	RTR600465	9	
62.50	62,40	- 63,40	182	3.3	CPL00625009465MF	CPL00625009465MF	IMC300327	IMT300427	RTR600465	9	
63	62,90	- 63,90	182	3.3	CPL00630009465MF	CPL30630009465MF	IMC300328	IMT300428	RTR600465	9	
63.50	63,40	- 64,40	182	3.3	CPL00635009465MF	CPL30635009465MF	IMC300329	IMT300429	RTR600465	9	
64	63,90	- 64,90	182	3.3	CPL00640009465MF	CPL30640009465MF	IMC300330	IMT300430	RTR600465	9	
64.50	64,40	- 65,40	182	3.3	CPL00645009465MF	CPL30645009465MF	IMC300331	IMT300431	RTR600465	9	
65	64,90	- 65,90	182	3.3	CPL00650009465MF	CPL30650009465MF	IMC300332	IMT300432	RTR600465	9	
65.50	65,40	- 66,40	182	3.3	CPL00655009465MF	CPL30655009465MF	IMC300333	IMT300433	RTR600465	9	

Ø66 - Ø80.50 Diameter Range
UNLIMITED ROLLING LENGTH



Roller Burnishing Tools | Through Holes

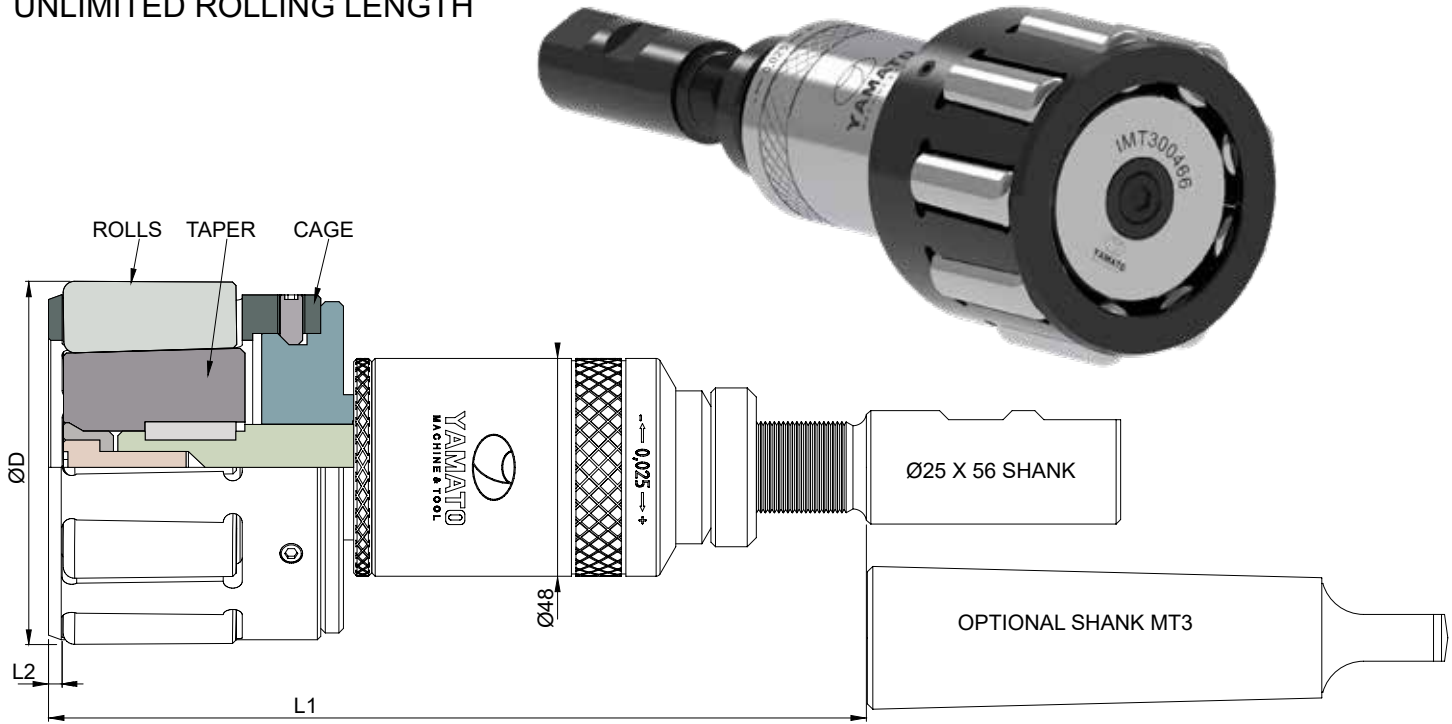
ØD (mm)		Length (mm)		TOOL CODE		SPARE PARTS				
Nominal	Range	1	2	Assembly with Straight Shank	Assembly with Morse Taper Shank	Cage	Taper	Rolls		
								code	qty	
66	65,90 - 66,90	182	3.3	CPL00660009530MF	CPL30660009530MF	IMC300334	IMT300434	RTR600530	9	
66.50	66,40 - 67,40	182	3.3	CPL00665009530MF	CPL30665009530MF	IMC300335	IMT300435	RTR600530	9	
67	66,90 - 67,90	182	3.3	CPL00670009530MF	CPL30670009530MF	IMC300336	IMT300436	RTR600530	9	
67.50	67,40 - 68,40	182	3.3	CPL00675009530MF	CPL30675009530MF	IMC300337	IMT300437	RTR600530	9	
68	67,90 - 68,90	182	3.3	CPL00680009530MF	CPL30680009530MF	IMC300338	IMT300438	RTR600530	9	
68.50	68,40 - 69,40	182	3.3	CPL00685009530MF	CPL30685009530MF	IMC300339	IMT300439	RTR600530	9	
69	68,90 - 69,90	182	3.3	CPL00690009530MF	CPL30690009530MF	IMC300340	IMT300440	RTR600530	9	
69.50	69,40 - 70,40	182	3.3	CPL00695009530MF	CPL30695009530MF	IMC300341	IMT300441	RTR600530	9	
70	69,90 - 70,90	182	3.3	CPL00700009530MF	CPL30700009530MF	IMC300342	IMT300442	RTR600530	9	
70.50	70,40 - 71,40	182	3.3	CPL00705009530MF	CPL30705009530MF	IMC300343	IMT300443	RTR600530	9	
71	70,90 - 71,90	182	3.3	CPL00710009530MF	CPL30710009530MF	IMC300344	IMT300444	RTR600530	9	
71.50	71,40 - 72,40	182	3.3	CPL00715009530MF	CPL30715009530MF	IMC300345	IMT300445	RTR600530	9	
72	71,90 - 72,90	182	3.3	CPL00720009530MF	CPL30720009530MF	IMC300346	IMT300446	RTR600530	9	
72.50	72,40 - 73,40	182	3.3	CPL00725009530MF	CPL30725009530MF	IMC300347	IMT300447	RTR600530	9	
73	72,90 - 73,90	182	3.3	CPL00730009530MF	CPL30730009530MF	IMC300348	IMT300448	RTR600530	9	
73.50	73,40 - 74,40	182	3.3	CPL00735009530MF	CPL30735009530MF	IMC300349	IMT300449	RTR600530	9	
74	73,90 - 74,90	182	3.3	CPL00740009530MF	CPL30740009530MF	IMC300350	IMT300450	RTR600530	9	
74.50	74,40 - 75,40	182	3.3	CPL00745009530MF	CPL30745009530MF	IMC300351	IMT300451	RTR600530	9	
75	74,90 - 75,90	182	3.3	CPL00750009530MF	CPL30750009530MF	IMC300352	IMT300452	RTR600530	9	
75.50	75,40 - 76,40	182	3.3	CPL00755009530MF	CPL30755009530MF	IMC300353	IMT300453	RTR600530	9	
76	75,90 - 76,90	182	3.3	CPL00760009530MF	CPL30760009530MF	IMC300354	IMT300454	RTR600530	9	
76.50	76,40 - 77,40	182	3.3	CPL00765009530MF	CPL30765009530MF	IMC300355	IMT300455	RTR600530	9	
77	76,90 - 77,90	182	3.3	CPL00770009530MF	CPL30770009530MF	IMC300356	IMT300456	RTR600530	9	
77.50	77,40 - 78,40	182	3.3	CPL00775009530MF	CPL30775009530MF	IMC300357	IMT300457	RTR600530	9	
78	77,90 - 78,90	182	3.3	CPL00780009530MF	CPL30780009530MF	IMC300358	IMT300458	RTR600530	9	
78.50	78,40 - 79,40	182	3.3	CPL00785009530MF	CPL30785009530MF	IMC300359	IMT300459	RTR600530	9	
79	78,90 - 79,90	182	3.3	CPL00790009530MF	CPL30790009530MF	IMC300360	IMT300460	RTR600530	9	
79.50	79,40 - 80,40	182	3.3	CPL00795009530MF	CPL30795009530MF	IMC300361	IMT300461	RTR600530	9	
80	79,90 - 80,90	182	3.3	CPL00800009530MF	CPL30800009530MF	IMC300362	IMT300462	RTR600530	9	
80.50	80,40 - 81,40	182	3.3	CPL00805009530MF	CPL30805009530MF	IMC300363	IMT300463	RTR600530	9	

ROLLER BURNISHING TOOLS

INTERNAL DIAMETER
THROUGH HOLES



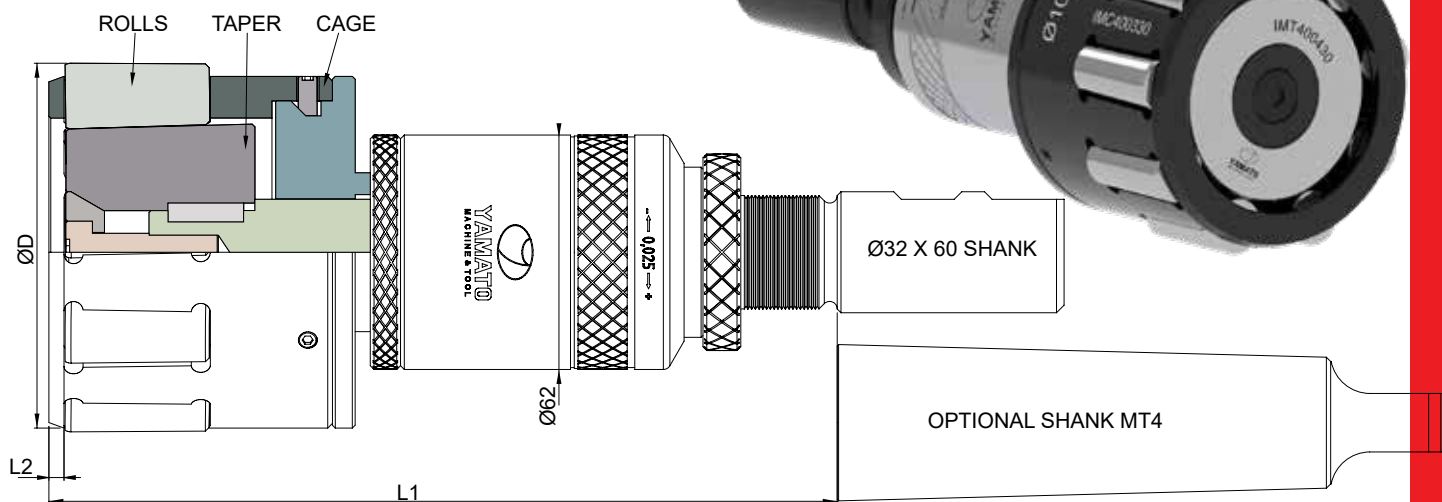
Diameter Range $\varnothing 81 - \varnothing 85.50$
UNLIMITED ROLLING LENGTH



Roller Burnishing Tools | Through Holes

ØD (mm)		Lenght (mm)		TOOL CODE		SPARE PARTS				
Nominal	Range	1	2	Assembly with Straight Shank	Assembly with Morse Taper Shank	Cage	Taper	Rolls		
								code	qty	
81	80,90 - 81,90	182	3.3	CPL00810009625MF	CPL30810009625MF	IMC300364	IMT300464	RTR600625	9	
81.50	81,40 - 82,40	182	3.3	CPL00815009625MF	CPL30815009625MF	IMC300365	IMT300465	RTR600625	9	
82	81,90 - 82,90	182	3.3	CPL00820009625MF	CPL30820009625MF	IMC300366	IMT300466	RTR600625	9	
82.50	82,40 - 83,40	182	3.3	CPL00825009625MF	CPL30825009625MF	IMC300367	IMT300467	RTR600625	9	
83	82,90 - 83,90	182	3.3	CPL00830009625MF	CPL30830009625MF	IMC300368	IMT300468	RTR600625	9	
83.50	83,40 - 84,40	182	3.3	CPL00835009625MF	CPL30835009625MF	IMC300369	IMT300469	RTR600625	9	
84	83,90 - 84,90	182	3.3	CPL00840009625MF	CPL30840009625MF	IMC300370	IMT300470	RTR600625	9	
84.50	84,40 - 85,40	182	3.3	CPL00845009625MF	CPL30845009625MF	IMC300371	IMT300471	RTR600625	9	
85	84,90 - 85,90	182	3.3	CPL00850009625MF	CPL30850009625MF	IMC300372	IMT300472	RTR600625	9	
85.50	85,40 - 86,40	182	3.3	CPL00855009625MF	CPL30855009625MF	IMC300373	IMT300473	RTR600625	9	

Ø86 - Ø115 Diameter Range
UNLIMITED ROLLING LENGTH



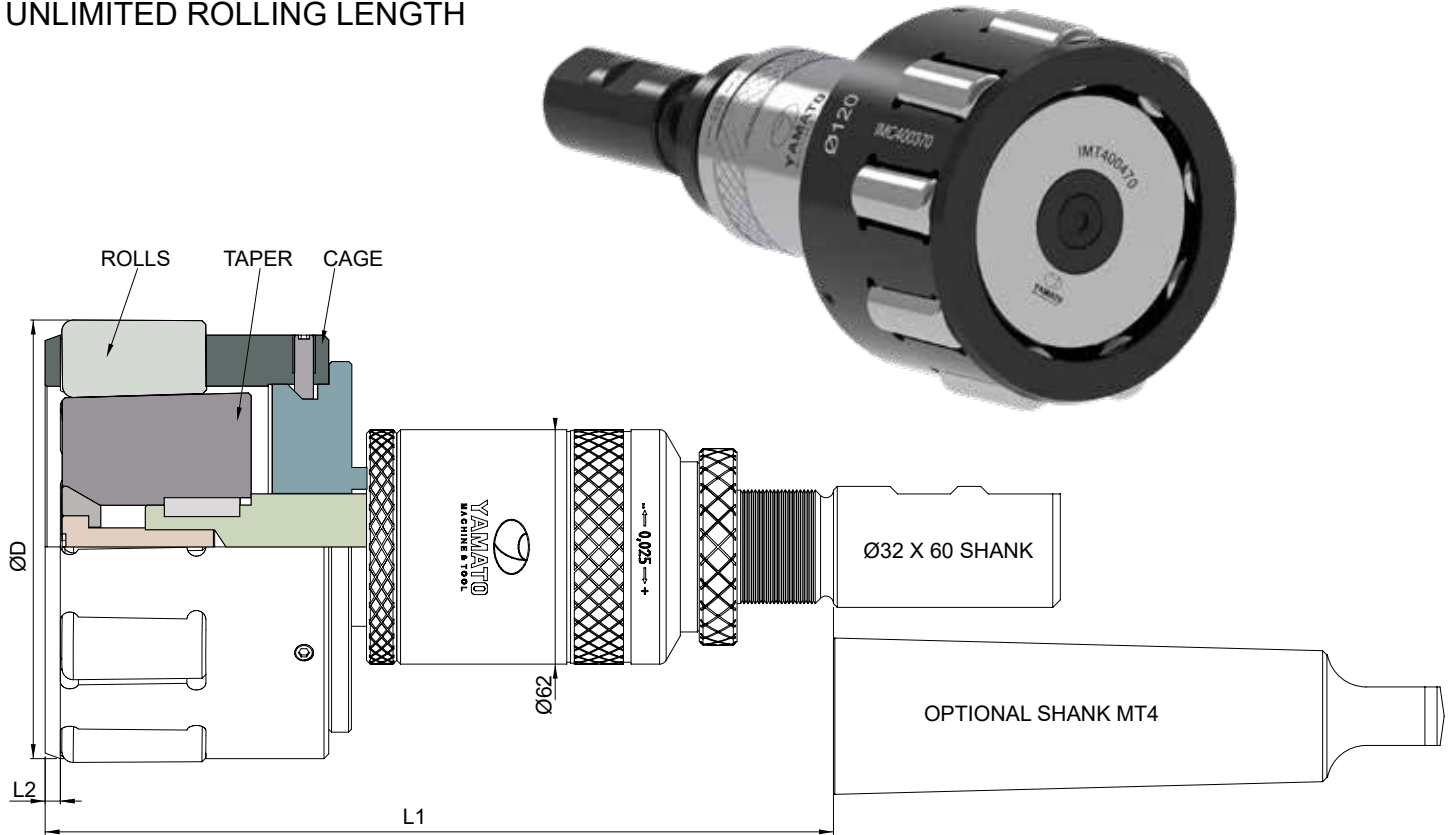
Roller Burnishing Tools Through Holes										
ØD (mm)		Length (mm)		TOOL CODE		SPARE PARTS				
Nominal	Range	1	2	Assembly with Straight Shank	Assembly with Morse Taper Shank	Cage	Taper	Rolls		
								code	qty	
86	85,90 - 86,90	208	4.4	CPL00860009625MF	CPL40860009625MF	IMC400302	IMT400402	RTR600625	9	
87	86,90 - 87,90	208	4.4	CPL00870009625MF	CPL40870009625MF	IMC400304	IMT400404	RTR600625	9	
88	87,90 - 88,90	208	4.4	CPL00880009625MF	CPL40880009625MF	IMC400306	IMT400406	RTR600625	9	
89	88,90 - 89,90	208	4.4	CPL00890009625MF	CPL40890009625MF	IMC400308	IMT400408	RTR600625	9	
90	89,90 - 90,90	208	4.4	CPL00900009625MF	CPL40900009625MF	IMC400310	IMT400410	RTR600625	9	
91	90,90 - 91,90	208	4.4	CPL00910009625MF	CPL40910009625MF	IMC400312	IMT400412	RTR600625	9	
92	91,90 - 92,90	208	4.4	CPL00920009625MF	CPL40920009625MF	IMC400314	IMT400414	RTR600625	9	
93	92,90 - 93,90	208	4.4	CPL00930009625MF	CPL40930009625MF	IMC400316	IMT400416	RTR600625	9	
94	93,90 - 94,90	208	4.4	CPL00940009625MF	CPL40940009625MF	IMC400318	IMT400418	RTR600625	9	
95	94,90 - 95,90	208	4.4	CPL00950009625MF	CPL40950009625MF	IMC400320	IMT400420	RTR600625	9	
96	95,90 - 96,90	208	4.4	CPL00960009687MF	CPL40960009687MF	IMC400322	IMT400422	RTR600687	9	
97	96,90 - 97,90	208	4.4	CPL00970009687MF	CPL40970009687MF	IMC400324	IMT400424	RTR600687	9	
98	97,90 - 98,90	208	4.4	CPL00980009687MF	CPL40980009687MF	IMC400326	IMT400426	RTR600687	9	
99	98,90 - 99,90	208	4.4	CPL00990009687MF	CPL40990009687MF	IMC400328	IMT400428	RTR600687	9	
100	99,90 - 100,90	208	4.4	CPL01000009687MF	CPL41000009687MF	IMC400330	IMT400430	RTR600687	9	
101	100,90 - 101,90	208	4.4	CPL01010009687MF	CPL41010009687MF	IMC400332	IMT400432	RTR600687	9	
102	101,90 - 102,90	208	4.4	CPL01020009687MF	CPL41020009687MF	IMC400334	IMT400434	RTR600687	9	
103	102,90 - 103,90	208	4.4	CPL01030009687MF	CPL41030009687MF	IMC400336	IMT400436	RTR600687	9	
104	103,90 - 104,90	208	4.4	CPL01040009687MF	CPL41040009687MF	IMC400338	IMT400438	RTR600687	9	
105	104,90 - 105,90	208	4.4	CPL01050009687MF	CPL41050009687MF	IMC400340	IMT400440	RTR600687	9	
106	105,90 - 106,90	208	4.4	CPL01060009687MF	CPL41060009687MF	IMC400342	IMT400442	RTR600687	9	
107	106,90 - 107,90	208	4.4	CPL01070009687MF	CPL41070009687MF	IMC400344	IMT400444	RTR600687	9	
108	107,90 - 108,90	208	4.4	CPL01080009687MF	CPL41080009687MF	IMC400346	IMT400446	RTR600687	9	
109	108,90 - 109,90	208	4.4	CPL01090009687MF	CPL41090009687MF	IMC400348	IMT400448	RTR600687	9	
110	109,90 - 110,90	208	4.4	CPL01100009687MF	CPL41100009687MF	IMC400350	IMT400450	RTR600687	9	
111	110,90 - 111,90	208	4.4	CPL01110009687MF	CPL41110009687MF	IMC400352	IMT400452	RTR600687	9	
112	111,90 - 112,90	208	4.4	CPL01120009687MF	CPL41120009687MF	IMC400354	IMT400454	RTR600687	9	
113	112,90 - 113,90	208	4.4	CPL01130009687MF	CPL41130009687MF	IMC400356	IMT400456	RTR600687	9	
114	113,90 - 114,90	208	4.4	CPL01140009687MF	CPL41140009687MF	IMC400358	IMT400458	RTR600687	9	
115	114,90 - 115,90	208	4.4	CPL01150009687MF	CPL41150009687MF	IMC400360	IMT400460	RTR600687	9	

ROLLER BURNISHING TOOLS

INTERNAL DIAMETER
THROUGH HOLES

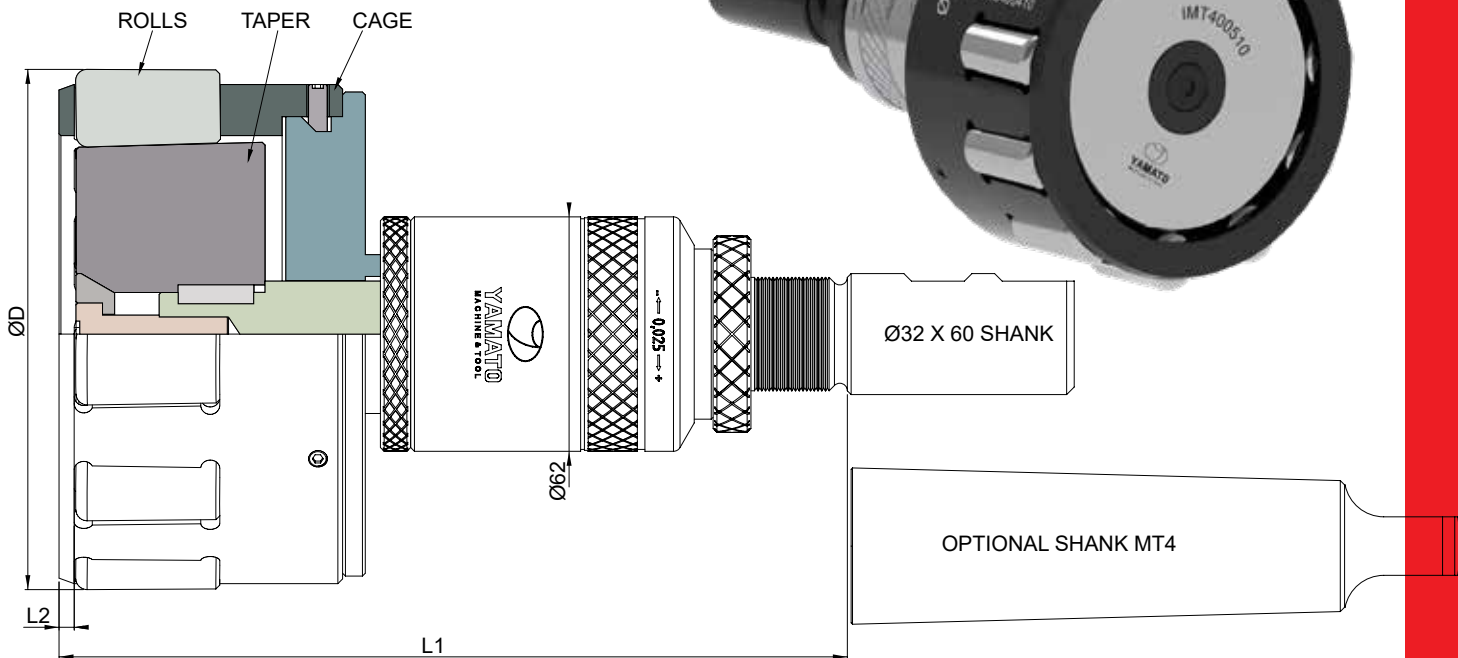


Diameter Range $\varnothing 116 - \varnothing 125$
UNLIMITED ROLLING LENGTH



Roller Burnishing Tools Through Holes										
ØD (mm)		Length (mm)		TOOL CODE		SPARE PARTS				
Nominal	Range	1	2	Assembly with Straight Shank	Assembly with Morse Taper Shank	Cage	Taper	Rolls		
								code	qty	
116	115,90 - 116,90	208	4.4	CPL01160009812MF	CPL41160009812MF	IMC400362	IMT400462	RTR600812	9	
117	116,90 - 117,90	208	4.4	CPL01170009812MF	CPL41170009812MF	IMC400364	IMT400464	RTR600812	9	
118	117,90 - 118,90	208	4.4	CPL01180009812MF	CPL41180009812MF	IMC400366	IMT400466	RTR600812	9	
119	118,90 - 119,90	208	4.4	CPL01190009812MF	CPL41190009812MF	IMC400368	IMT400468	RTR600812	9	
120	119,90 - 120,90	208	4.4	CPL01200009812MF	CPL41200009812MF	IMC400370	IMT400470	RTR600812	9	
121	120,90 - 121,90	208	4.4	CPL01210009812MF	CPL41210009812MF	IMC400372	IMT400472	RTR600812	9	
122	121,90 - 122,90	208	4.4	CPL01220009812MF	CPL41220009812MF	IMC400374	IMT400474	RTR600812	9	
123	122,90 - 123,90	208	4.4	CPL01230009812MF	CPL41230009812MF	IMC400376	IMT400476	RTR600812	9	
124	123,90 - 124,90	208	4.4	CPL01240009812MF	CPL41240009812MF	IMC400378	IMT400478	RTR600812	9	
125	124,90 - 125,90	208	4.4	CPL01250009812MF	CPL41250009812MF	IMC400380	IMT400480	RTR600812	9	

Ø126 - Ø150 Diameter Range
UNLIMITED ROLLING LENGTH



Roller Burnishing Tools Through Holes										
ØD (mm)		Lenght (mm)		TOOL CODE		SPARE PARTS				
Nominal	Range	1	2	Assembly with Straight Shank	Assembly with Morse Taper Shank	Cage	Taper	Rolls		
								code	qty	
126	125,90 - 126,90	208	4.4	CPL01260011812MF	CPL41260011812MF	IMC400382	IMT400482	RTR600812	11	
127	126,90 - 127,90	208	4.4	CPL01270011812MF	CPL41270011812MF	IMC400384	IMT400484	RTR600812	11	
128	127,90 - 128,90	208	4.4	CPL01280011812MF	CPL41280011812MF	IMC400386	IMT400486	RTR600812	11	
129	128,90 - 129,90	208	4.4	CPL01290011812MF	CPL41290011812MF	IMC400388	IMT400488	RTR600812	11	
130	129,90 - 130,90	208	4.4	CPL01300011812MF	CPL41300011812MF	IMC400390	IMT400490	RTR600812	11	
131	130,90 - 131,90	208	4.4	CPL01310011812MF	CPL41310011812MF	IMC400392	IMT400492	RTR600812	11	
132	131,90 - 132,90	208	4.4	CPL01320011812MF	CPL41320011812MF	IMC400394	IMT400494	RTR600812	11	
133	132,90 - 133,90	208	4.4	CPL01330011812MF	CPL41330011812MF	IMC400396	IMT400496	RTR600812	11	
134	133,90 - 134,90	208	4.4	CPL01340011812MF	CPL41340011812MF	IMC400398	IMT400498	RTR600812	11	
135	134,90 - 135,90	208	4.4	CPL01350011812MF	CPL41350011812MF	IMC400400	IMT400500	RTR600812	11	
136	135,90 - 136,90	208	4.4	CPL01360011812MF	CPL41360011812MF	IMC400402	IMT400502	RTR600812	11	
137	136,90 - 137,90	208	4.4	CPL01370011812MF	CPL41370011812MF	IMC400404	IMT400504	RTR600812	11	
138	137,90 - 138,90	208	4.4	CPL01380011812MF	CPL41380011812MF	IMC400406	IMT400506	RTR600812	11	
139	138,90 - 139,90	208	4.4	CPL01390011812MF	CPL41390011812MF	IMC400408	IMT400508	RTR600812	11	
140	139,90 - 140,90	208	4.4	CPL01400011812MF	CPL41400011812MF	IMC400410	IMT400510	RTR600812	11	
141	140,90 - 141,90	208	4.4	CPL01410011812MF	CPL41410011812MF	IMC400412	IMT400512	RTR600812	11	
142	141,90 - 142,90	208	4.4	CPL01420011812MF	CPL41420011812MF	IMC400414	IMT400514	RTR600812	11	
143	142,90 - 143,90	208	4.4	CPL01430011812MF	CPL41430011812MF	IMC400416	IMT400516	RTR600812	11	
144	143,90 - 144,90	208	4.4	CPL01440011812MF	CPL41440011812MF	IMC400418	IMT400518	RTR600812	11	
145	144,90 - 145,90	208	4.4	CPL01450011812MF	CPL41450011812MF	IMC400420	IMT400520	RTR600812	11	
146	145,90 - 146,90	208	4.4	CPL01460011812MF	CPL41460011812MF	IMC400422	IMT400522	RTR600812	11	
147	146,90 - 147,90	208	4.4	CPL01470011812MF	CPL41470011812MF	IMC400424	IMT400524	RTR600812	11	
148	147,90 - 148,90	208	4.4	CPL01480011812MF	CPL41480011812MF	IMC400426	IMT400526	RTR600812	11	
149	148,90 - 149,90	208	4.4	CPL01490011812MF	CPL41490011812MF	IMC400428	IMT400528	RTR600812	11	
150	149,90 - 150,90	208	4.4	CPL01500011812MF	CPL41500011812MF	IMC400430	IMT400530	RTR600812	11	

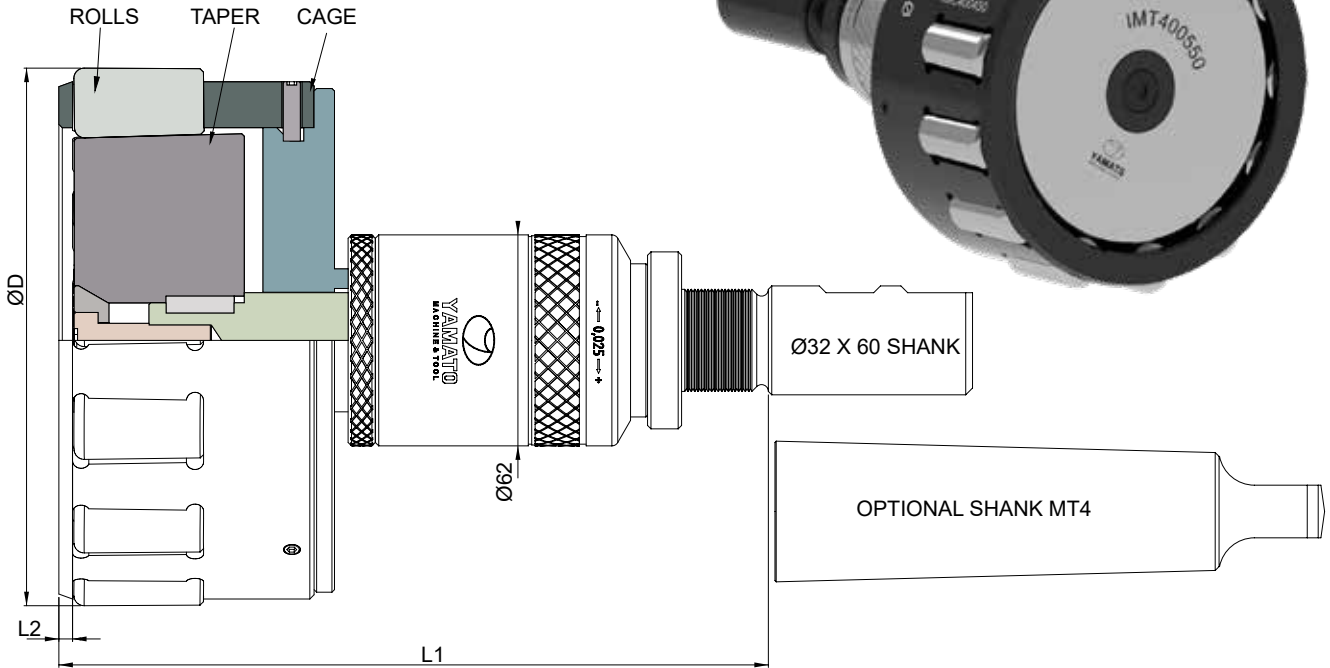
ROLLER BURNISHING TOOLS

INTERNAL DIAMETER
THROUGH HOLES



Diameter Range $\varnothing 150 - \varnothing 160$

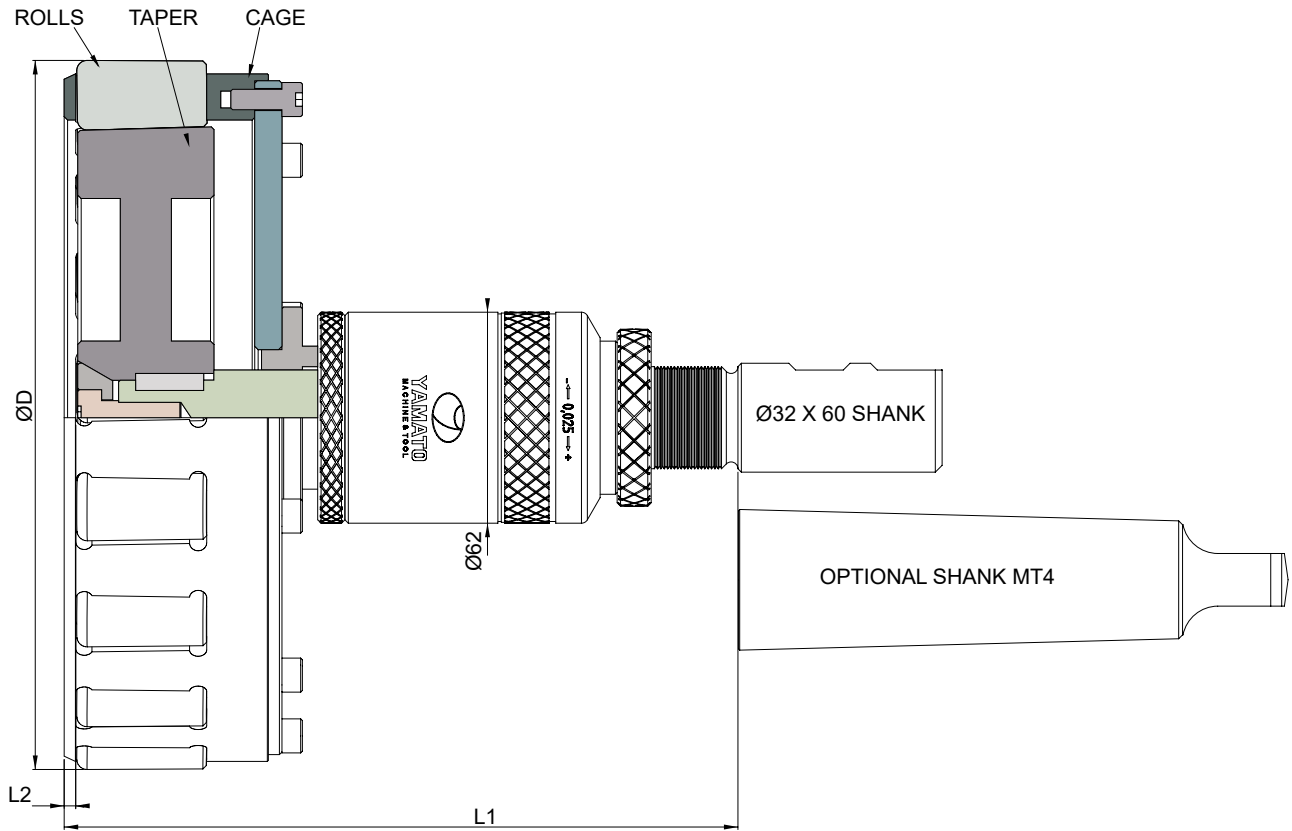
UNLIMITED ROLLING LENGTH



Roller Burnishing Tools | Through Holes

ØD (mm)		Length (mm)		TOOL CODE		SPARE PARTS			
Nominal	Range	1	2	Assembly with Straight Shank	Assembly with Morse Taper Shank	Cage	Taper	Rolls	
								code	qty
151	150,90 - 151,90	208	4.4	CPL01510013812MF	CPL41510013812MF	IMC400432	IMT400532	RTR600812	13
152	151,90 - 152,90	208	4.4	CPL01520013812MF	CPL41520013812MF	IMC400434	IMT400534	RTR600812	13
153	152,90 - 153,90	208	4.4	CPL01530013812MF	CPL41530013812MF	IMC400436	IMT400536	RTR600812	13
154	153,90 - 154,90	208	4.4	CPL01540013812MF	CPL41540013812MF	IMC400438	IMT400538	RTR600812	13
155	154,90 - 155,90	208	4.4	CPL01550013812MF	CPL41550013812MF	IMC400440	IMT400540	RTR600812	13
156	155,90 - 156,90	208	4.4	CPL01560013812MF	CPL41560013812MF	IMC400442	IMT400542	RTR600812	13
157	156,90 - 157,90	208	4.4	CPL01570013812MF	CPL41570013812MF	IMC400444	IMT400544	RTR600812	13
158	157,90 - 158,90	208	4.4	CPL01580013812MF	CPL41580013812MF	IMC400446	IMT400546	RTR600812	13
159	158,90 - 159,90	208	4.4	CPL01590013812MF	CPL41590013812MF	IMC400448	IMT400548	RTR600812	13
160	159,90 - 160,90	208	4.4	CPL01600013812MF	CPL41600013812MF	IMC400450	IMT400550	RTR600812	13

Ø160 - ... Diameter Range
UNLIMITED ROLLING LENGTH

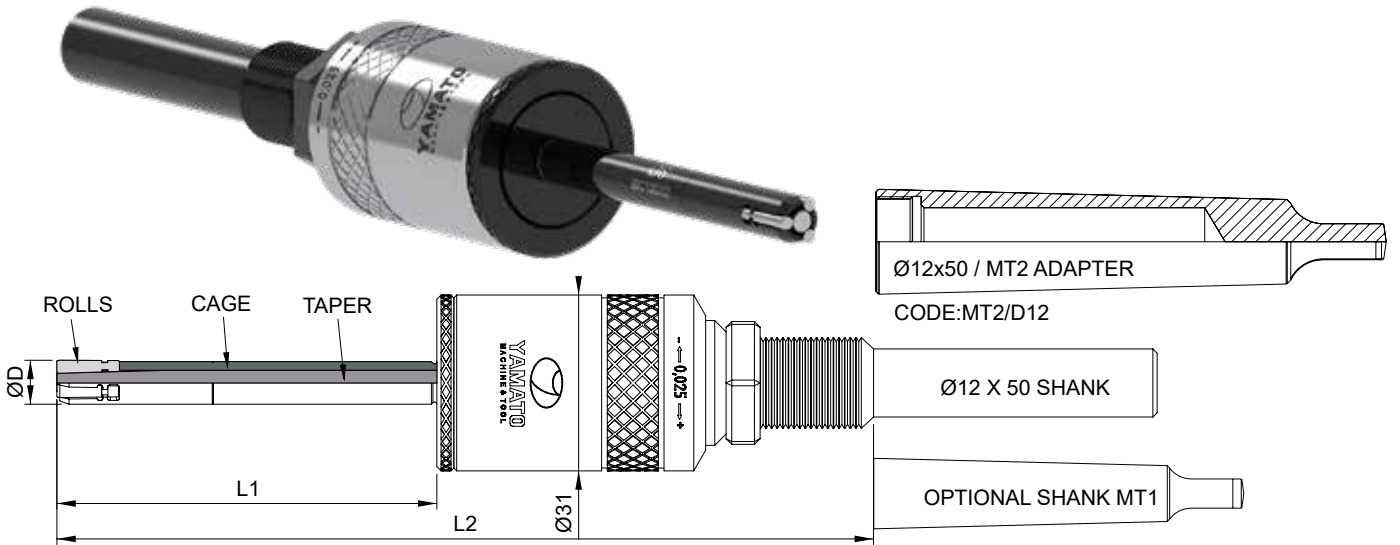


ROLLER BURNISHING TOOLS

INTERNAL DIAMETER
BLIND HOLES



Diameter Range $\varnothing 5.60 - \varnothing 8.50$

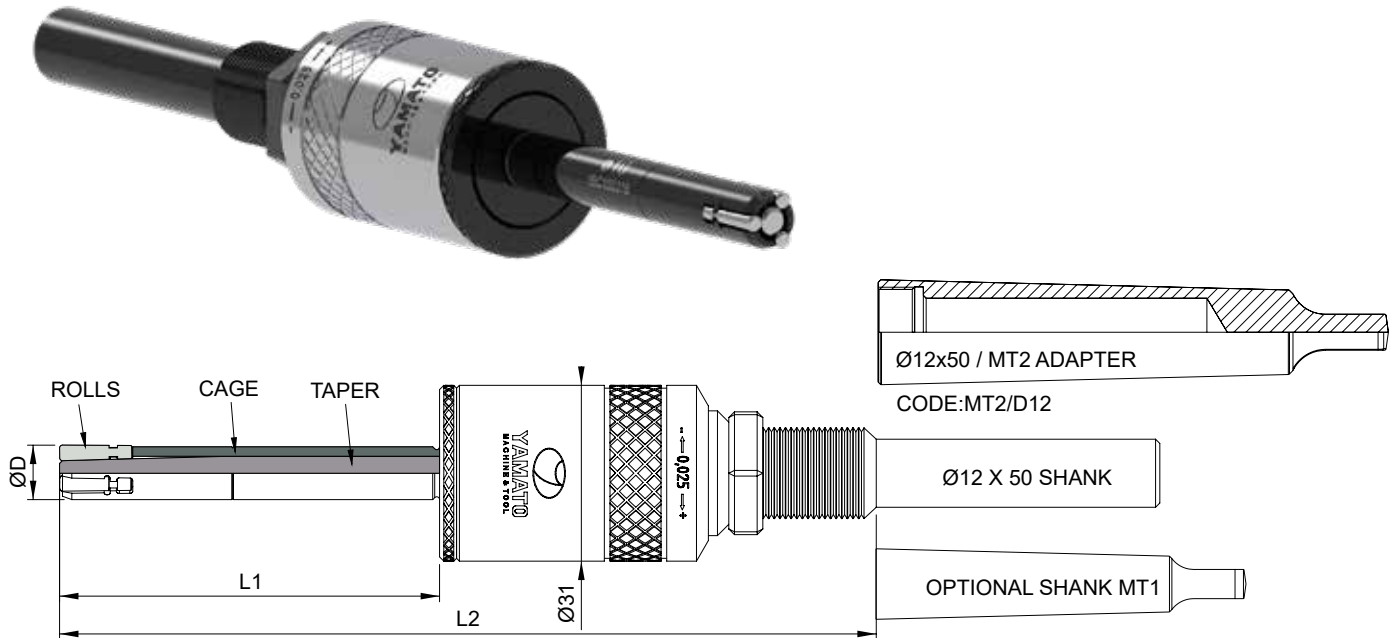


Roller Burnishing Tools | Blind Holes

ØD (mm)		Length (mm)		TOOL CODE		SPARE PARTS			
Nominal	Range	1	2	Assembly with Straight Shank	Assembly with Morse Taper Shank	Cage	Taper	Rolls code	qty
5.60	5.60-6.00	17	91	CPL00056003070BMFL15	CPL10056003070BMFL15	IBC041306-0220	IBT058412-0079	RBR620070	3
		36	111	CPL00056003070BMFL35	CPL10056003070BMFL35	IBC060306-0220	IBT078412-0079	RBR620070	3
	6.00-6.10	67	144	CPL00056003070BMF	CPL10056003070BMF	IBC100306-0220	IBT100412-0079	RBR620070	3
6	6.00-6.40	17	91	CPL00060003070BMFL15	CPL10060003070BMFL15	IBC041308	IBT058416	RBR620070	3
		36	111	CPL00060003070BMFL35	CPL10060003070BMFL35	IBC060308	IBT078416	RBR620070	3
	6.00-6.50	67	144	CPL00060003070BMF	CPL10060003070BMF	IBC100308	IBT100416	RBR620070	3
	103	180	CPL00060003070BMFL	CPL10060003070BMFL	IBC101308	IBT101416	RBR620070	3	
	150	227	CPL00060003070BMFL150	CPL10060003070BMFL150	IBC174308	IBT194416	RBR620070	3	
6.50	6.50-6.90	17	91	CPL00065003070BMFL15	CPL10065003070BMFL15	IBC041309	IBT058418	RBR620070	3
		36	111	CPL00065003070BMFL35	CPL10065003070BMFL35	IBC060309	IBT078418	RBR620070	3
	6.50-7.00	67	144	CPL00065003070BMF	CPL10065003070BMF	IBC100309	IBT100418	RBR620070	3
	103	180	CPL00065003070BMFL	CPL10065003070BMFL	IBC101309	IBT101418	RBR620070	3	
	150	227	CPL00065003070BMFL150	CPL10065003070BMFL150	IBC174309	IBT194418	RBR620070	3	
7	7.00-7.40	17	91	CPL00070003078BMFL15	CPL10070003078BMFL15	IBC041310	IBT058420	RBR620078	3
		36	111	CPL00070003078BMFL35	CPL10070003078BMFL35	IBC060310	IBT078420	RBR620078	3
	7.00-7.50	67	144	CPL00070003078BMF	CPL10070003078BMF	IBC100310	IBT100420	RBR620078	3
	103	180	CPL00070003078BMFL	CPL10070003078BMFL	IBC101310	IBT101420	RBR620078	3	
	150	227	CPL00070003078BMFL150	CPL10070003078BMFL150	IBC174310	IBT194420	RBR620078	3	
7.50	7.50-7.90	17	91	CPL00075003078BMFL15	CPL10075003078BMFL15	IBC041311	IBT058422	RBR620078	3
		36	111	CPL00075003078BMFL35	CPL10075003078BMFL35	IBC060311	IBT078422	RBR620078	3
	7.50-8.00	67	144	CPL00075003078BMF	CPL10075003078BMF	IBC100311	IBT100422	RBR620078	3
	103	180	CPL00075003078BMFL	CPL10075003078BMFL	IBC101311	IBT101422	RBR620078	3	
	150	227	CPL00075003078BMFL150	CPL10075003078BMFL150	IBC174311	IBT194422	RBR620078	3	
8	8.00-8.40	17	91	CPL00080003090BMFL15	CPL10080003090BMFL15	IBC041312	IBT058424	RBR620090	3
		36	111	CPL00080003090BMFL35	CPL10080003090BMFL35	IBC060312	IBT078424	RBR620090	3
	8.00-8.50	67	144	CPL00080003090BMF	CPL10080003090BMF	IBC100312	IBT100424	RBR620090	3
	103	180	CPL00080003090BMFL	CPL10080003090BMFL	IBC101312	IBT101424	RBR620090	3	
	150	227	CPL00080003090BMFL150	CPL10080003090BMFL150	IBC174312	IBT194424	RBR620090	3	
8.50	8.50-8.90	17	91	CPL00085003090BMFL15	CPL10085003090BMFL15	IBC041313	IBT058426	RBR620090	3
		36	111	CPL00085003090BMFL35	CPL10085003090BMFL35	IBC060313	IBT078426	RBR620090	3
	8.50-9.00	67	144	CPL00085003090BMF	CPL10085003090BMF	IBC100313	IBT100426	RBR620090	3
	103	180	CPL00085003090BMFL	CPL10085003090BMFL	IBC101313	IBT101426	RBR620090	3	
	150	227	CPL00085003090BMFL150	CPL10085003090BMFL150	IBC174313	IBT194426	RBR620090	3	

INTERNAL DIAMETER
BLIND HOLES

Ø9 - Ø11 Diameter Range



Roller Burnishing Tools Blind Holes									
ØD (mm)		Lenght (mm)		TOOL CODE		SPARE PARTS			
Nominal	Range	1	2	Assembly with Straight Shank	Assembly with Morse Taper Shank	Cage	Taper	Rolls	
								code	qty
9	9.00-9.40	17	91	CPL00090003109BMFL15	CPL10090003109BMFL15	IBC041314-H0177	IBT058428-DZ0173	RBR620109	3
		36	111	CPL00090003109BMFL35	CPL10090003109BMFL35	IBC060314	IBT078428	RBR620109	3
	9.00-9.50	67	144	CPL00090003109BMFL	CPL10090003109BMFL	IBC100314	IBT100428	RBR620109	3
		103	180	CPL00090003109BMFL	CPL10090003109BMFL	IBC101314	IBT101428	RBR620109	3
		150	227	CPL00090003109BMFL150	CPL10090003109BMFL150	IBC174314	IBT194428	RBR620109	3
9.50	9.50-9.90	17	91	CPL00095003109BMFL15	CPL10095003109BMFL15	IBC041315-H0197	IBT058430-DZ0193	RBR620109	3
		36	111	CPL00095003109BMFL35	CPL10095003109BMFL35	IBC060315	IBT078430	RBR620109	3
	9.50-10.00	67	144	CPL00095003109BMFL	CPL10095003109BMFL	IBC100315	IBT100430	RBR620109	3
		103	180	CPL00095003109BMFL	CPL10095003109BMFL	IBC101315	IBT101430	RBR620109	3
		150	227	CPL00095003109BMFL150	CPL10095003109BMFL150	IBC174315	IBT194430	RBR620109	3
10	10.00-10.40	17	91	CPL00100003109BMFL15	CPL10100003109BMFL15	IBC041316-H0217	IBT058432-DZ0213	RBR620109	3
		36	111	CPL00100003109BMFL35	CPL10100003109BMFL35	IBC060316	IBT078432	RBR620109	3
	10.00-10.50	67	144	CPL00100003109BMFL	CPL10100003109BMFL	IBC100316	IBT100432	RBR620109	3
		103	180	CPL00100003109BMFL	CPL10100003109BMFL	IBC101316	IBT101432	RBR620109	3
		150	227	CPL00100003109BMFL150	CPL10100003109BMFL150	IBC174316	IBT194432	RBR620109	3
10.50	10.50-10.90	17	91	CPL00105003125BMFL15	CPL10105003125BMFL15	IBC041317-H0197	IBT058434-DZ0193	RBR620125	3
		36	111	CPL00105003125BMFL35	CPL10105003125BMFL35	IBC060317	IBT078434	RBR620125	3
	10.50-11.00	67	144	CPL00105003125BMFL	CPL10105003125BMFL	IBC100317	IBT100434	RBR620125	3
		103	180	CPL00105003125BMFL	CPL10105003125BMFL	IBC101317	IBT101434	RBR620125	3
		150	227	CPL00105003125BMFL150	CPL10105003125BMFL150	IBC174317	IBT194434	RBR620125	3
11	11.00-11.40	17	91	CPL00110003125BMFL15	CPL10110003125BMFL15	IBC041318-H0217	IBT058436-DZ0213	RBR620125	3
		36	111	CPL00110003125BMFL35	CPL10110003125BMFL35	IBC060318	IBT078436	RBR620125	3
	11.00-11.50	67	144	CPL00110003125BMFL	CPL10110003125BMFL	IBC100318	IBT100436	RBR620125	3
		103	180	CPL00110003125BMFL	CPL10110003125BMFL	IBC101318	IBT101436	RBR620125	3
		150	227	CPL00110003125BMFL150	CPL10110003125BMFL150	IBC174318	IBT194436	RBR620125	3

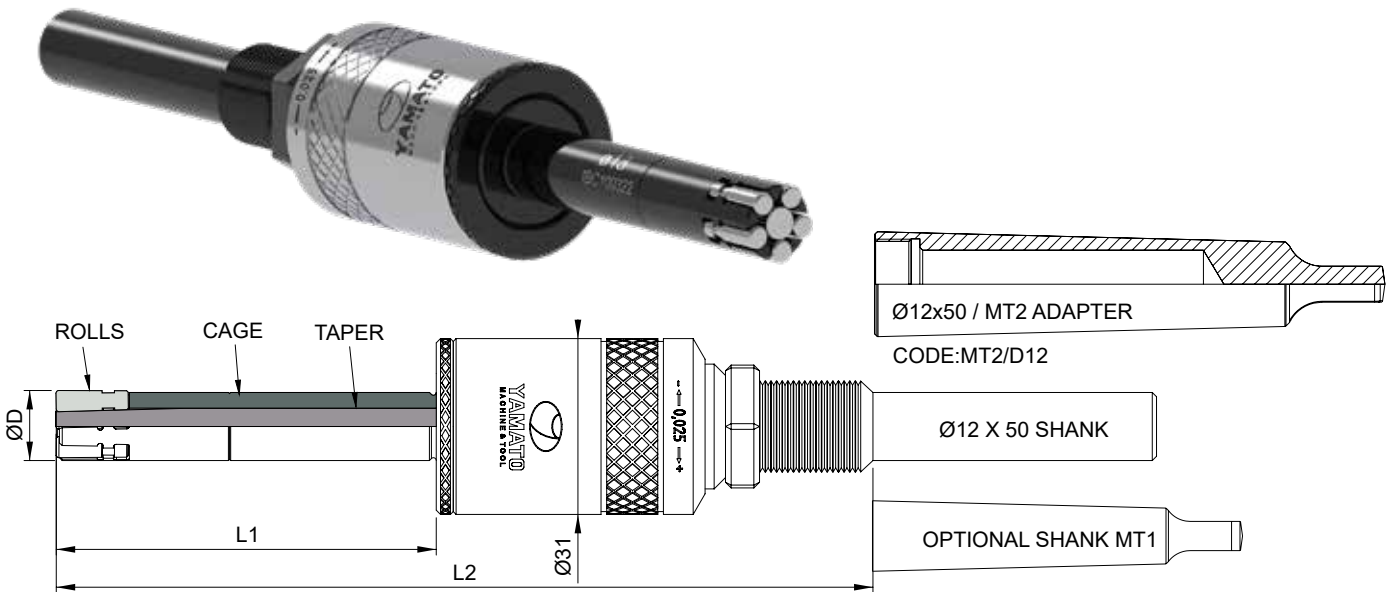
INTERNAL DIAMETER
BLIND HOLES

ROLLER BURNISHING TOOLS

INTERNAL DIAMETER
BLIND HOLES



Diameter Range $\varnothing 11.50 - \varnothing 14.50$

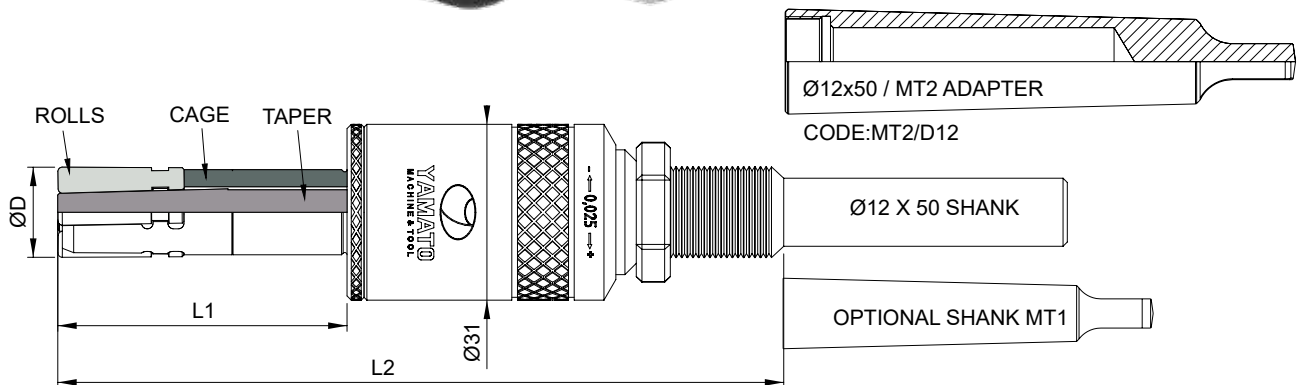


Roller Burnishing Tools | Blind Holes

ØD (mm)		Lenght (mm)		TOOL CODE		SPARE PARTS			
Nominal	Range	1	2	Assembly with Straight Shank	Assembly with Morse Taper Shank	Cage	Taper	Rolls	
								code	qty
11.50	11.50-11.90	17	91	CPL00115003148BMFL15	CPL10115003148BMFL15	IBC041319-H0197	IBT058438-DZ0193	RBR620148	3
		36	111	CPL00115003148BMFL35	CPL10115003148BMFL35	IBC060319	IBT078438	RBR620148	3
	67	144	CPL00115003148BMF	CPL10115003148BMF	IBC100319	IBT100438	RBR620148	3	
	11.50-12.00	103	180	CPL00115003148BMFL	CPL10115003148BMFL	IBC101319	IBT101438	RBR620148	3
		150	227	CPL00115003148BMFL150	CPL10115003148BMFL150	IBC174319	IBT194438	RBR620148	3
12	12.00-12.40	17	91	CPL00120003148BMFL15	CPL10120003148BMFL15	IBC041320-H0217	IBT058440-DZ0213	RBR620148	3
		36	111	CPL00120003148BMFL35	CPL10120003148BMFL35	IBC060320	IBT078440	RBR620148	3
	67	144	CPL00120003148BMF	CPL10120003148BMF	IBC100320	IBT100440	RBR620148	3	
	12.00-12.50	103	180	CPL00120003148BMFL	CPL10120003148BMFL	IBC101320	IBT101440	RBR620148	3
		150	227	CPL00120003148BMFL150	CPL10120003148BMFL150	IBC174320	IBT194440	RBR620148	3
12.50	12.50-12.90	17	91	CPL00125003148BMFL15	CPL10125003148BMFL15	IBC041321-H0236	IBT058442-DZ0232	RBR620148	3
		36	111	CPL00125003148BMFL35	CPL10125003148BMFL35	IBC060321	IBT078442	RBR620148	3
	67	144	CPL00125003148BMF	CPL10125003148BMF	IBC100321	IBT100442	RBR620148	3	
	12.50-13.00	103	180	CPL00125003148BMFL	CPL10125003148BMFL	IBC101321	IBT101442	RBR620148	3
		150	227	CPL00125003148BMFL150	CPL10125003148BMFL150	IBC174321	IBT194442	RBR620148	3
13	13.00-13.40	17	91	CPL00130005148BMFL15	CPL10130005148BMFL15	IBC041322-H0256	IBT058444-DZ0252	RBR620148	5
		36	111	CPL00130005148BMFL35	CPL10130005148BMFL35	IBC060322	IBT078444	RBR620148	5
	67	144	CPL00130005148BMF	CPL10130005148BMF	IBC100322	IBT100444	RBR620148	5	
	13.00-13.50	103	180	CPL00130005148BMFL	CPL10130005148BMFL	IBC101322	IBT101444	RBR620148	5
		150	227	CPL00130005148BMFL150	CPL10130005148BMFL150	IBC174322	IBT194444	RBR620148	5
13.50	13.50-13.90	17	91	CPL00135005148BMFL15	CPL10135005148BMFL15	IBC041323-H0276	IBT058446-DZ0272	RBR620148	5
		36	111	CPL00135005148BMFL35	CPL10135005148BMFL35	IBC060323	IBT078446	RBR620148	5
	67	144	CPL00135005148BMF	CPL10135005148BMF	IBC100323	IBT100446	RBR620148	5	
	13.50-14.00	103	180	CPL00135005148BMFL	CPL10135005148BMFL	IBC101323	IBT101446	RBR620148	5
		150	227	CPL00135005148BMFL150	CPL10135005148BMFL150	IBC174323	IBT194446	RBR620148	5
14	14.00-14.40	17	91	CPL00140005148BMFL15	CPL10140005148BMFL15	IBC041324-H0295	IBT058448-DZ0291	RBR620148	5
		36	111	CPL00140005148BMFL35	CPL10140005148BMFL35	IBC060324	IBT078448	RBR620148	5
	67	144	CPL00140005148BMF	CPL10140005148BMF	IBC100324	IBT100448	RBR620148	5	
	14.00-14.50	103	180	CPL00140005148BMFL	CPL10140005148BMFL	IBC101324	IBT101448	RBR620148	5
		150	227	CPL00140005148BMFL150	CPL10140005148BMFL150	IBC174324	IBT194448	RBR620148	5

INTERNAL DIAMETER
BLIND HOLES

Ø15 - Ø16.50 Diameter Range



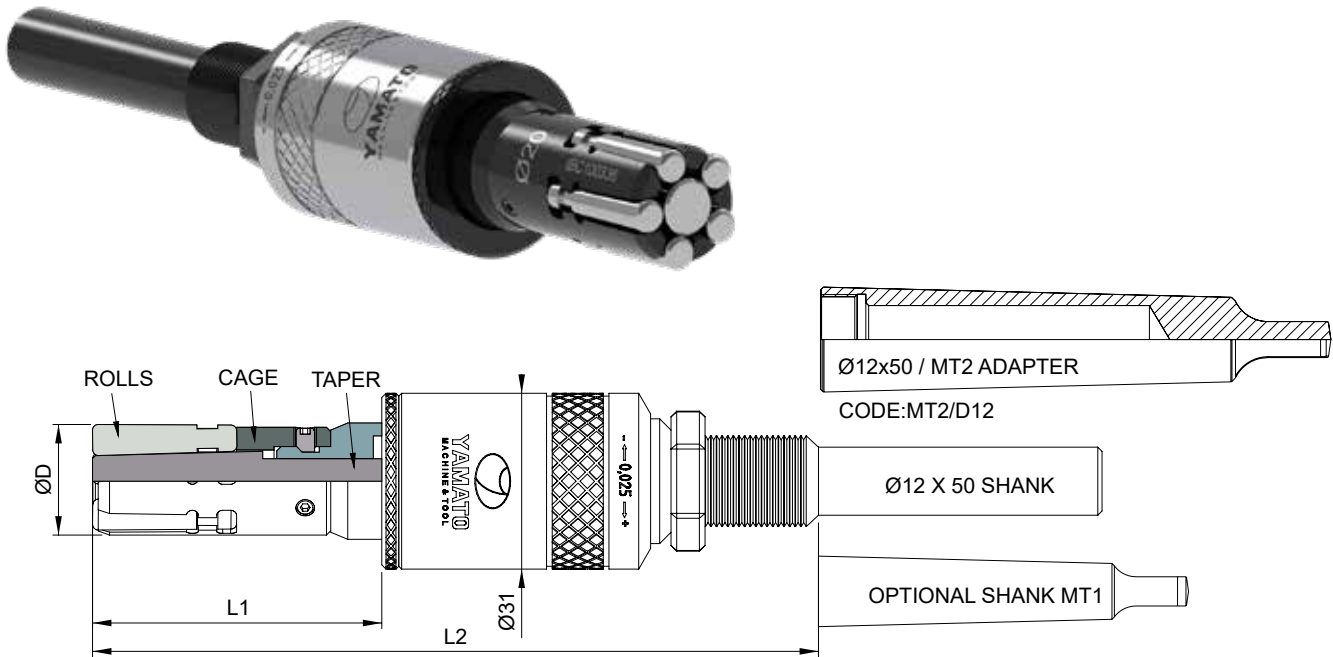
Roller Burnishing Tools Blind Holes									
ØD (mm)		Lenght (mm)		TOOL CODE		SPARE PARTS			
Nominal	Range	1	2	Assembly with Straight Shank	Assembly with Morse Taper Shank	Cage	Taper	Rolls code	qty
15	15.00-15.50	67	144	CPL00150004180BMF	CPL10150004180BMF	IBC100326-4R	IBT100452	RBR620180	4
		103	180	CPL00150004180BMFL	CPL10150004180BMFL	IBC101326-4R	IBT101452	RBR620180	4
		150	227	CPL00150004180BMFL150	CPL10150004180BMFL150	IBC174326-4R	IBT194452	RBR620180	4
15.50	15.50-16.00	67	144	CPL00155004180BMF	CPL10155004180BMF	IBC100327-4R	IBT100453	RBR620180	4
		103	180	CPL00155004180BMFL	CPL10155004180BMFL	IBC101327-4R	IBT101453	RBR620180	4
		150	227	CPL00155004180BMFL150	CPL10155004180BMFL150	IBC174327-4R	IBT194453	RBR620180	4
16	16.00-16.50	51	128	CPL00160004180BMFL50	CPL10160004180BMFL50	IBC100328-4R	IBT095454	RBR620180	4
		103	180	CPL00160004180BMFL	CPL10160004180BMFL	IBC101328-4R	IBT095454	RBR620180	4
		150	227	CPL00160004180BMFL150	CPL10160004180BMFL150	IBC174328-4R	IBT095454	RBR620180	4
16.50	16.50-17.00	51	128	CPL00165004180BMFL50	CPL10165004180BMFL50	IBC100329-4R	IBT095455	RBR620180	4
		103	180	CPL00165004180BMFL	CPL10165004180BMFL	IBC101329-4R	IBT095455	RBR620180	4
		150	227	CPL00165004180BMFL150	CPL10165004180BMFL150	IBC174329-4R	IBT095455	RBR620180	4

ROLLER BURNISHING TOOLS

INTERNAL DIAMETER
BLIND HOLES



Diameter Range $\varnothing 17 - \varnothing 21$

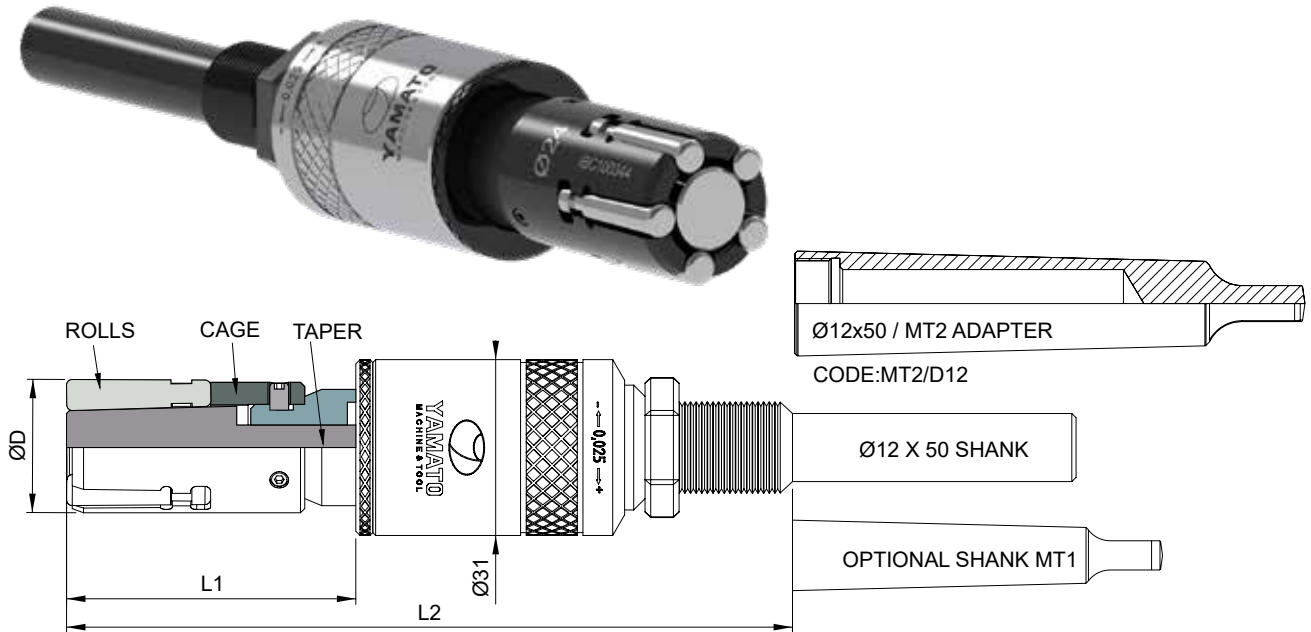


Roller Burnishing Tools | Blind Holes

ØD (mm)		Lenght (mm)		TOOL CODE		SPARE PARTS			
Nominal	Range	1	2	Assembly with Straight Shank	Assembly with Morse Taper Shank	Cage	Taper	Rolls code	qty
17	17.00-17.50	42	128	CPL00170005180BMFL40	CPL10170005180BMFL40	IBC100330	IBT100456	RBR620180	5
		95	178	CPL00170005180BMFL95	CPL10170005180BMFL95	IBC100330	IBT100456	RBR620180	5
		145	228	CPL00170005180BMFL145	CPL10170005180BMFL145	IBC100330	IBT100456	RBR620180	5
17.50	17.50-18.00	42	128	CPL00175005180BMFL40	CPL10175005180BMFL40	IBC100331	IBT100457	RBR620180	5
		95	178	CPL00175005180BMFL95	CPL10175005180BMFL95	IBC100331	IBT100457	RBR620180	5
		145	228	CPL00175005180BMFL145	CPL10175005180BMFL145	IBC100331	IBT100457	RBR620180	5
18	18.00-18.50	42	128	CPL00180005180BMFL40	CPL10180005180BMFL40	IBC100332	IBT100458	RBR620180	5
		95	178	CPL00180005180BMFL95	CPL10180005180BMFL95	IBC100332	IBT100458	RBR620180	5
		145	228	CPL00180005180BMFL145	CPL10180005180BMFL145	IBC100332	IBT100458	RBR620180	5
18.50	18.50-19.00	42	128	CPL00185005180BMFL40	CPL10185005180BMFL40	IBC100333	IBT100459	RBR620180	5
		95	178	CPL00185005180BMFL95	CPL10185005180BMFL95	IBC100333	IBT100459	RBR620180	5
		145	228	CPL00185005180BMFL145	CPL10185005180BMFL145	IBC100333	IBT100459	RBR620180	5
19	19.00-19.50	42	128	CPL00190005218BMFL40	CPL10190005218BMFL40	IBC100334	IBT100460	RBR620218	5
		95	178	CPL00190005218BMFL95	CPL10190005218BMFL95	IBC100334	IBT100460	RBR620218	5
		145	228	CPL00190005218BMFL145	CPL10190005218BMFL145	IBC100334	IBT100460	RBR620218	5
19.50	19.50-20.00	42	128	CPL00195005218BMFL40	CPL10195005218BMFL40	IBC100335	IBT100461	RBR620218	5
		95	178	CPL00195005218BMFL95	CPL10195005218BMFL95	IBC100335	IBT100461	RBR620218	5
		145	228	CPL00195005218BMFL145	CPL10195005218BMFL145	IBC100335	IBT100461	RBR620218	5
20	20.00-20.50	42	128	CPL00200005218BMFL40	CPL10200005218BMFL40	IBC100336	IBT100462	RBR620218	5
		95	178	CPL00200005218BMFL95	CPL10200005218BMFL95	IBC100336	IBT100462	RBR620218	5
		145	228	CPL00200005218BMFL145	CPL10200005218BMFL145	IBC100336	IBT100462	RBR620218	5
20.50	20.50-21.00	42	128	CPL00205005218BMFL40	CPL10205005218BMFL40	IBC100337	IBT100463	RBR620218	5
		95	178	CPL00205005218BMFL95	CPL10205005218BMFL95	IBC100337	IBT100463	RBR620218	5
		145	228	CPL00205005218BMFL145	CPL10205005218BMFL145	IBC100337	IBT100463	RBR620218	5
21	21.00-21.50	42	128	CPL00210005218BMFL40	CPL10210005218BMFL40	IBC100338	IBT100464	RBR620218	5
		95	178	CPL00210005218BMFL95	CPL10210005218BMFL95	IBC100338	IBT100464	RBR620218	5
		145	228	CPL00210005218BMFL145	CPL10210005218BMFL145	IBC100338	IBT100464	RBR620218	5

INTERNAL DIAMETER
BLIND HOLES

Ø21.5 - Ø24 Diameter Range



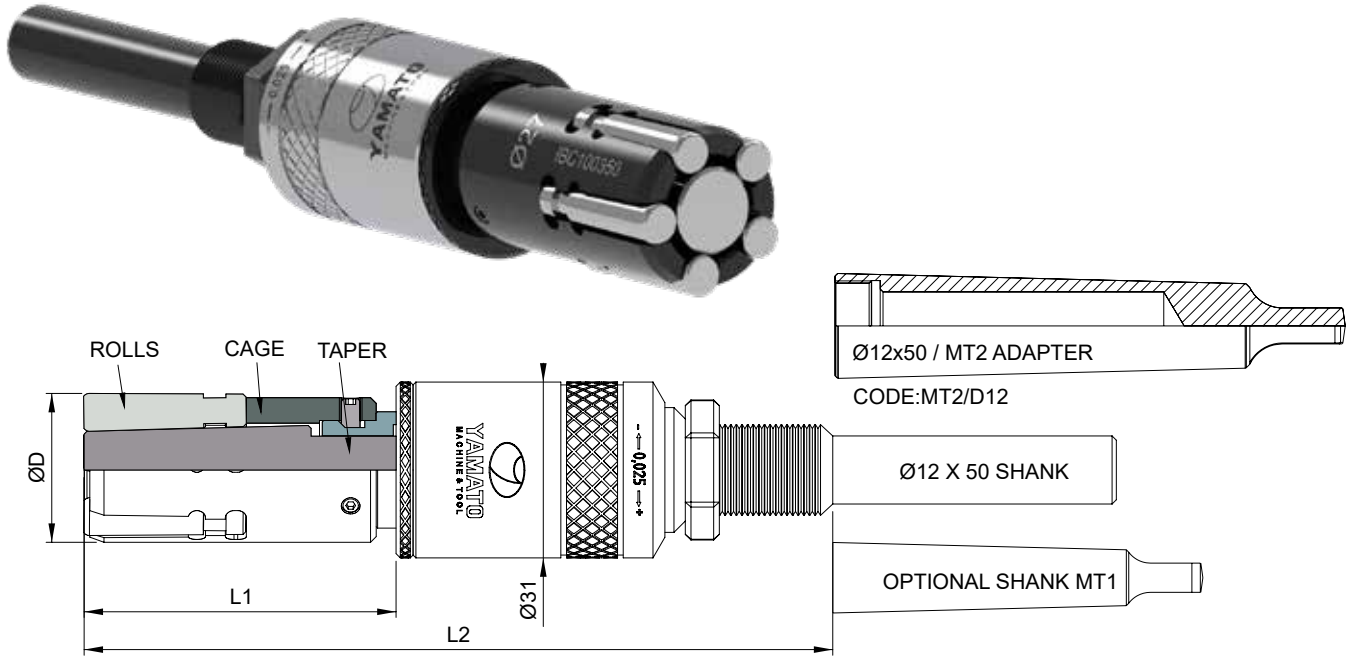
Roller Burnishing Tools Blind Holes									
ØD (mm)		Lenght (mm)		TOOL CODE		SPARE PARTS			
Nominal	Range	1	2	Assembly with Straight Shank	Assembly with Morse Taper Shank	Cage	Taper	Rolls	
								code	qty
21.50	21.50-22.00	50	128	CPL00215005218BMFL50	CPL10215005218BMFL50	IBC100339	IBT100465	RBR620218	5
		102	178	CPL00215005218BMFL50	CPL10215005218BMFL50	IBC100339	IBT100465	RBR620218	5
		152	228	CPL00215005218BMFL150	CPL10215005218BMFL150	IBC100339	IBT100465	RBR620218	5
22	22.00-22.50	50	128	CPL00220005218BMFL50	CPL10220005218BMFL50	IBC100340	IBT100466	RBR620218	5
		102	178	CPL00220005218BMFL50	CPL10220005218BMFL50	IBC100340	IBT100466	RBR620218	5
		152	228	CPL00220005218BMFL150	CPL10220005218BMFL150	IBC100340	IBT100466	RBR620218	5
22.50	22.50-23.00	50	128	CPL00225005218BMFL50	CPL10225005218BMFL50	IBC100341	IBT100467	RBR620218	5
		102	178	CPL00225005218BMFL50	CPL10225005218BMFL50	IBC100341	IBT100467	RBR620218	5
		152	228	CPL00225005218BMFL150	CPL10225005218BMFL150	IBC100341	IBT100467	RBR620218	5
23	23.00-23.50	50	128	CPL00230005218BMFL50	CPL10230005218BMFL50	IBC100342	IBT100468	RBR620218	5
		102	178	CPL00230005218BMFL50	CPL10230005218BMFL50	IBC100342	IBT100468	RBR620218	5
		152	228	CPL00230005218BMFL150	CPL10230005218BMFL150	IBC100342	IBT100468	RBR620218	5
23.50	23.50-24.00	50	128	CPL00235005218BMFL50	CPL10235005218BMFL50	IBC100343	IBT100469	RBR620218	5
		102	178	CPL00235005218BMFL50	CPL10235005218BMFL50	IBC100343	IBT100469	RBR620218	5
		152	228	CPL00235005218BMFL150	CPL10235005218BMFL150	IBC100343	IBT100469	RBR620218	5
24	24.00-24.50	50	128	CPL00240005218BMFL50	CPL10240005218BMFL50	IBC100344	IBT100470	RBR620218	5
		102	178	CPL00240005218BMFL50	CPL10240005218BMFL50	IBC100344	IBT100470	RBR620218	5
		152	228	CPL00240005218BMFL150	CPL10240005218BMFL150	IBC100344	IBT100470	RBR620218	5

ROLLER BURNISHING TOOLS

INTERNAL DIAMETER
BLIND HOLES



Diameter Range $\varnothing 24.50 - \varnothing 27.50$

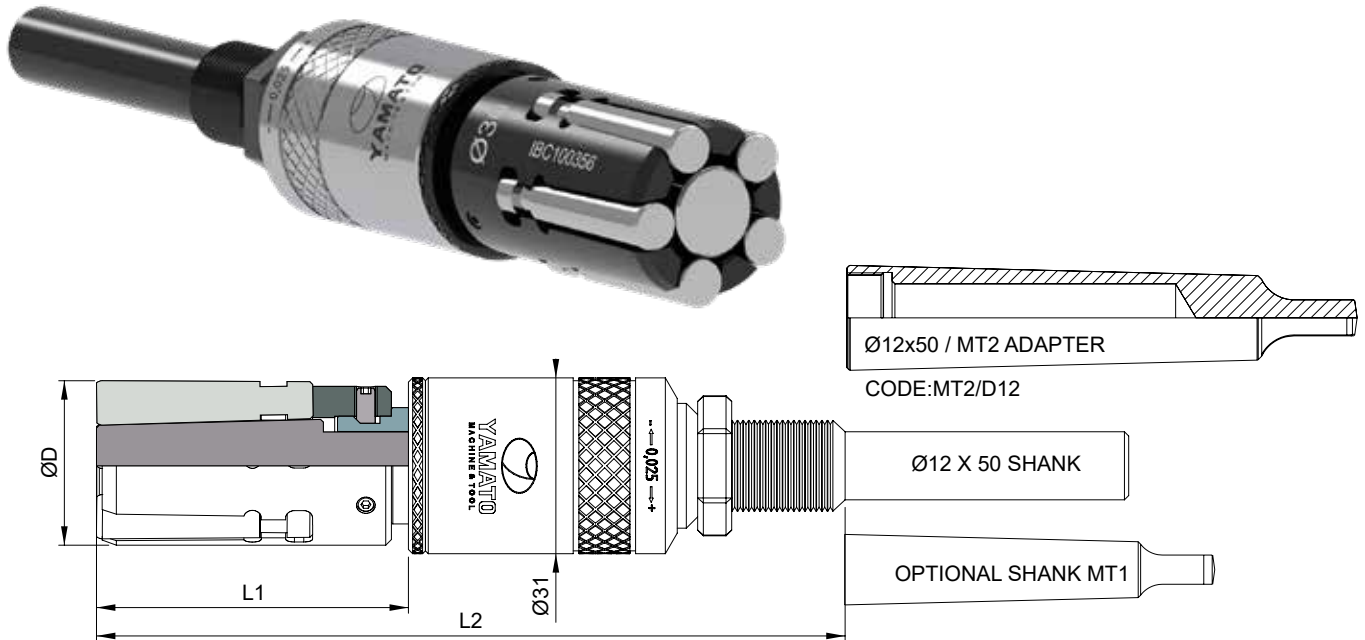


Roller Burnishing Tools | Blind Holes

ØD (mm)		Lenght (mm)		TOOL CODE		SPARE PARTS			
Nominal	Range	1	2	Assembly with Straight Shank	Assembly with Morse Taper Shank	Cage	Taper	Rolls	
								code	qty
24.50	24.50-25.00	56	132	CPL00245005218BMFL55	CPL10245005218BMFL55	IBC100345	IBT100471	RBR620218	5
		106	182	CPL00245005218BMFL155	CPL10245005218BMFL155	IBC100345	IBT100471	RBR620218	5
		156	232	CPL00245005218BMFL55	CPL10245005218BMFL55	IBC100345	IBT100471	RBR620218	5
25	25.00-25.50	56	132	CPL00250005265BMFL55	CPL10250005265BMFL55	IBC100346	IBT100472	RBR620265	5
		106	182	CPL00250005265BMFL155	CPL10250005265BMFL155	IBC100346	IBT100472	RBR620265	5
		156	232	CPL00250005265BMFL55	CPL10250005265BMFL55	IBC100346	IBT100472	RBR620265	5
25.50	25.50-26.00	56	132	CPL00255005265BMFL55	CPL10255005265BMFL55	IBC100347	IBT100473	RBR620265	5
		106	182	CPL00255005265BMFL155	CPL10255005265BMFL155	IBC100347	IBT100473	RBR620265	5
		156	232	CPL00255005265BMFL55	CPL10255005265BMFL55	IBC100347	IBT100473	RBR620265	5
26	26.00-26.50	56	132	CPL00260005265BMFL55	CPL10260005265BMFL55	IBC100348	IBT100474	RBR620265	5
		106	182	CPL00260005265BMFL155	CPL10260005265BMFL155	IBC100348	IBT100474	RBR620265	5
		156	232	CPL00260005265BMFL55	CPL10260005265BMFL55	IBC100348	IBT100474	RBR620265	5
26.50	26.50-27.00	56	132	CPL00265005265BMFL55	CPL10265005265BMFL55	IBC100349	IBT100475	RBR620265	5
		106	182	CPL00265005265BMFL155	CPL10265005265BMFL155	IBC100349	IBT100475	RBR620265	5
		156	232	CPL00265005265BMFL55	CPL10265005265BMFL55	IBC100349	IBT100475	RBR620265	5
27	27.00-27.50	56	132	CPL00270005265BMFL55	CPL10270005265BMFL55	IBC100350	IBT100476	RBR620265	5
		106	182	CPL00270005265BMFL155	CPL10270005265BMFL155	IBC100350	IBT100476	RBR620265	5
		156	232	CPL00270005265BMFL55	CPL10270005265BMFL55	IBC100350	IBT100476	RBR620265	5
27.50	27.50-28.00	56	132	CPL00275005265BMFL55	CPL10275005265BMFL55	IBC100351	IBT100477	RBR620265	5
		106	182	CPL00275005265BMFL155	CPL10275005265BMFL155	IBC100351	IBT100477	RBR620265	5
		156	232	CPL00275005265BMFL55	CPL10275005265BMFL155	IBC100351	IBT100477	RBR620265	5

INTERNAL DIAMETER
BLIND HOLES

Ø28 - Ø31.50 Diameter Range



Roller Burnishing Tools Blind Holes									
ØD (mm)		Lenght (mm)		TOOL CODE		SPARE PARTS			
Nominal	Range	1	2	Assembly with Straight Shank	Assembly with Morse Taper Shank	Cage	Taper	Rolls	
								code	qty
28	28.00-28.50	56	132	CPL00280005265BMFL55	CPL10280005265BMFL55	IBC100352	IBT100478	RBR620265	5
		106	182	CPL00280005265BMFL55	CPL10280005265BMFL55	IBC100352	IBT100478	RBR620265	5
		156	232	CPL00280005265BMFL155	CPL10280005265BMFL155	IBC100352	IBT100478	RBR620265	5
28.50	28.50-29.00	56	132	CPL00285005265BMFL55	CPL10285005265BMFL55	IBC100353	IBT100479	RBR620265	5
		106	182	CPL00285005265BMFL55	CPL10285005265BMFL55	IBC100353	IBT100479	RBR620265	5
		156	232	CPL00285005265BMFL155	CPL10285005265BMFL155	IBC100353	IBT100479	RBR620265	5
29	29.00-29.50	56	132	CPL00290005310BMFL55	CPL10290005310BMFL55	IBC100354	IBT100480	RBR620310	5
		106	182	CPL00290005310BMFL55	CPL10290005310BMFL55	IBC100354	IBT100480	RBR620310	5
		156	232	CPL00290005310BMFL155	CPL10290005310BMFL155	IBC100354	IBT100480	RBR620310	5
29.50	29.50-30.00	56	132	CPL00295005310BMFL55	CPL10295005310BMFL55	IBC100355	IBT100481	RBR620310	5
		106	182	CPL00295005310BMFL55	CPL10295005310BMFL55	IBC100355	IBT100481	RBR620310	5
		156	232	CPL00295005310BMFL155	CPL10295005310BMFL155	IBC100355	IBT100481	RBR620310	5
30	30.00-30.50	56	132	CPL00300005310BMFL55	CPL10300005310BMFL55	IBC100356	IBT100482	RBR620310	5
		106	182	CPL00300005310BMFL55	CPL10300005310BMFL55	IBC100356	IBT100482	RBR620310	5
		156	232	CPL00300005310BMFL155	CPL10300005310BMFL155	IBC100356	IBT100482	RBR620310	5
30.50	30.50-31.00	56	132	CPL00305005310BMFL55	CPL10305005310BMFL55	IBC100357	IBT100483	RBR620310	5
		106	182	CPL00305005310BMFL55	CPL10305005310BMFL55	IBC100357	IBT100483	RBR620310	5
		156	232	CPL00305005310BMFL155	CPL10305005310BMFL155	IBC100357	IBT100483	RBR620310	5
31	31.00-31.50	56	132	CPL00310005310BMFL55	CPL10310005310BMFL55	IBC100358	IBT100484	RBR620310	5
		106	182	CPL00310005310BMFL55	CPL10310005310BMFL55	IBC100358	IBT100484	RBR620310	5
		156	232	CPL00310005310BMFL155	CPL10310005310BMFL155	IBC100358	IBT100484	RBR620310	5
31.50	31.50-32.00	56	132	CPL00315005310BMFL55	CPL10315005310BMFL55	IBC100359	IBT100485	RBR620310	5
		106	182	CPL00315005310BMFL55	CPL10315005310BMFL55	IBC100359	IBT100485	RBR620310	5
		156	232	CPL00315005310BMFL155	CPL10315005310BMFL155	IBC100359	IBT100485	RBR620310	5

INTERNAL DIAMETER
BLIND HOLES

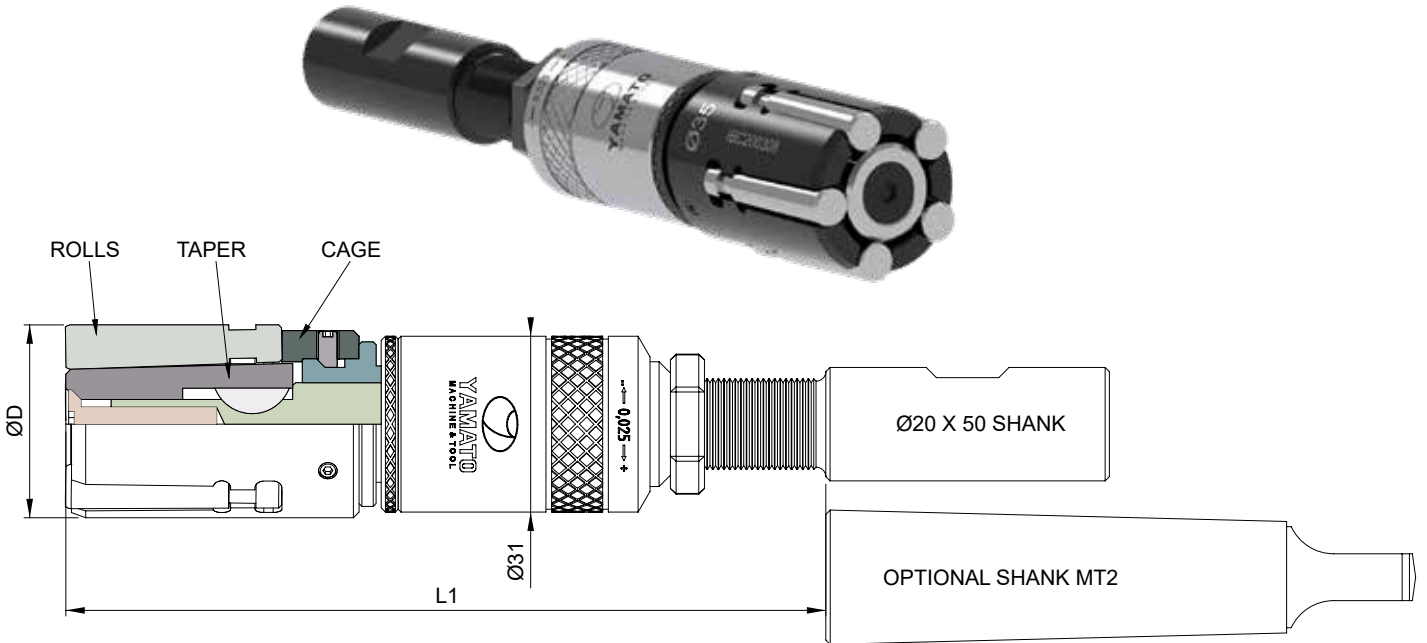
ROLLER BURNISHING TOOLS

INTERNAL DIAMETER
BLIND HOLES



Diameter Range $\varnothing 32 - \varnothing 39.50$

UNLIMITED ROLLING LENGTH

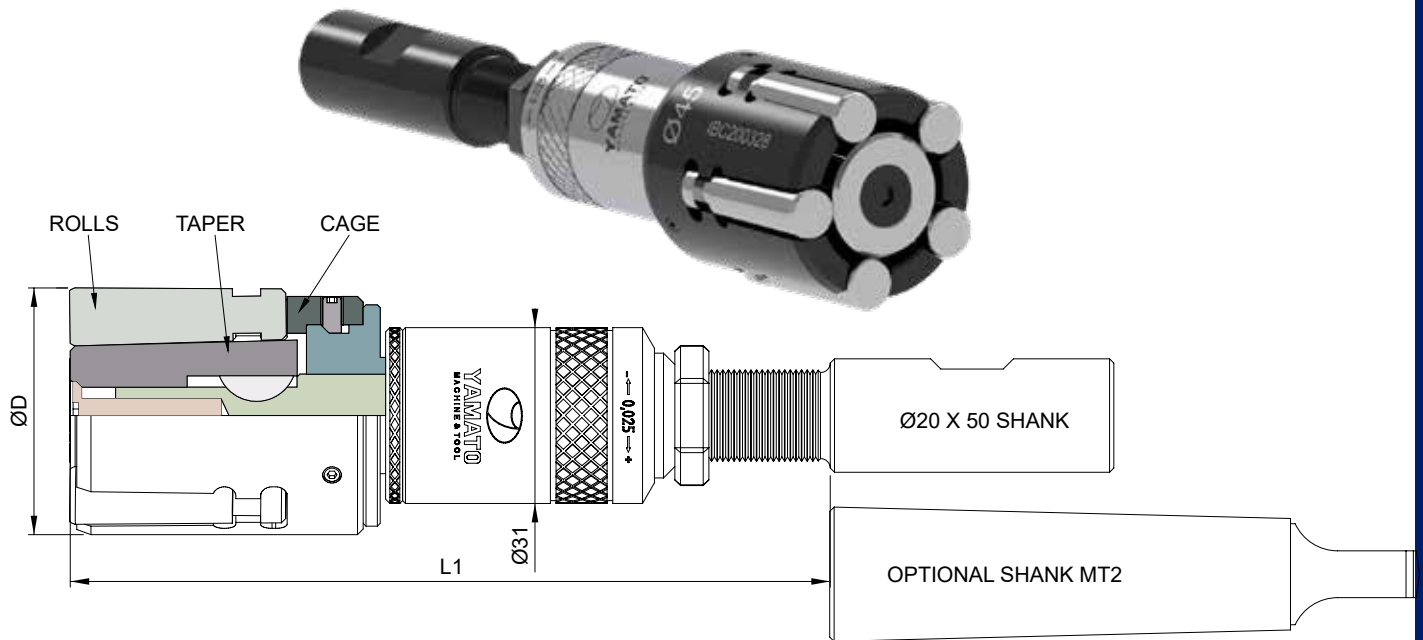


Roller Burnishing Tools | Blind Holes

ØD (mm)		Length (mm)	TOOL CODE		SPARE PARTS				
Nominal	Range		1	Assembly with Straight Shank	Assembly with Morse Taper Shank	Cage	Taper	Rolls	
								code	qty
32	32,00 - 32,50	134	CPL00320005310BMF	CPL20320005310BMF	IBC200302	IBT200402	RBR620310	5	
32.50	32,50 - 33,00	134	CPL00325005310BMF	CPL20325005310BMF	IBC200303	IBT200403	RBR620310	5	
33	33,00 - 33,50	134	CPL00330005310BMF	CPL20330005310BMF	IBC200304	IBT200404	RBR620310	5	
33.50	33,50 - 34,00	134	CPL00335005310BMF	CPL20335005310BMF	IBC200305	IBT200405	RBR620310	5	
34	34,00 - 34,50	134	CPL00340005310BMF	CPL20340005310BMF	IBC200306	IBT200406	RBR620310	5	
34.50	34,50 - 35,00	134	CPL00345005310BMF	CPL20345005310BMF	IBC200307	IBT200407	RBR620310	5	
35	35,00 - 35,50	134	CPL00350005310BMF	CPL20350005310BMF	IBC200308	IBT200408	RBR620310	5	
35.50	35,50 - 36,00	134	CPL00355005310BMF	CPL20355005310BMF	IBC200309	IBT200409	RBR620310	5	
36	36,00 - 36,50	134	CPL00360005310BMF	CPL20360005310BMF	IBC200310	IBT200410	RBR620310	5	
36.50	36,50 - 37,00	134	CPL00365005310BMF	CPL20365005310BMF	IBC200311	IBT200411	RBR620310	5	
37	37,00 - 37,50	134	CPL00370005310BMF	CPL20370005310BMF	IBC200312	IBT200412	RBR620310	5	
37.50	37,50 - 38,00	134	CPL00375005310BMF	CPL20375005310BMF	IBC200313	IBT200413	RBR620310	5	
38	38,00 - 38,50	134	CPL00380005310BMF	CPL20380005310BMF	IBC200314	IBT200414	RBR620310	5	
38.50	38,50 - 39,00	134	CPL00385005310BMF	CPL20385005310BMF	IBC200315	IBT200415	RBR620310	5	
39	39,00 - 39,50	134	CPL00390005310BMF	CPL20390005310BMF	IBC200316	IBT200416	RBR620310	5	
39.50	39,50 - 40,00	134	CPL00395005310BMF	CPL20395005310BMF	IBC200317	IBT200417	RBR620310	5	

INTERNAL DIAMETER
BLIND HOLES

Ø40 - Ø49.50 Diameter Range
UNLIMITED ROLLING LENGTH



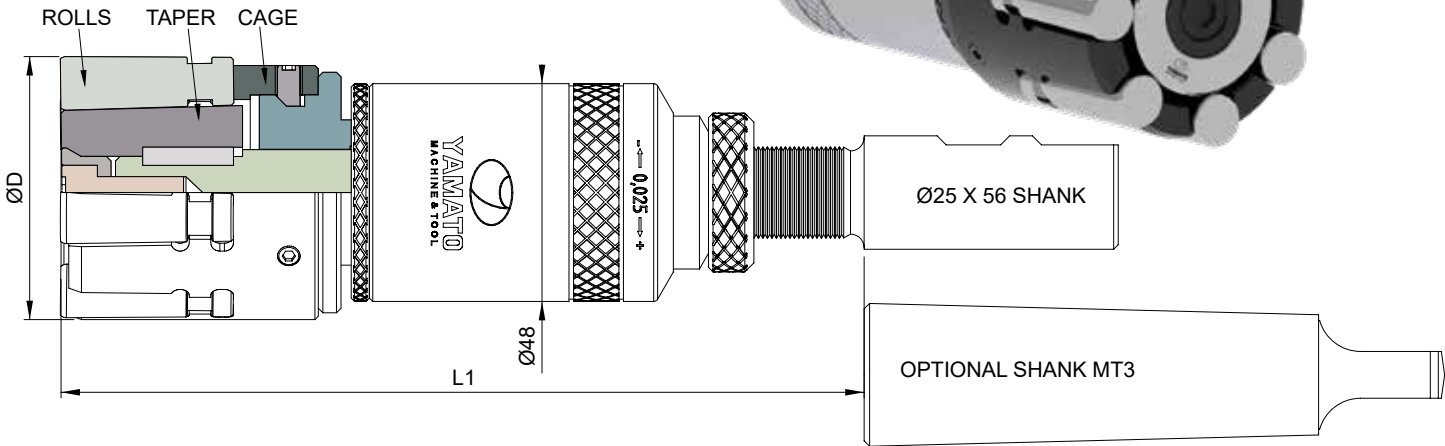
Roller Burnishing Tools Blind Holes									
ØD (mm)		Length (mm)	TOOL CODE		SPARE PARTS				
Nominal	Range		1	Assembly with Straight Shank	Assembly with Morse Taper Shank	Cage	Taper	Rolls code	qty
40	40,00 - 40,50	134	CPL00400005406BMF	CPL20400005406BMF	IBC200318	IBT200418	RBR620406	5	
40.50	40,50 - 41,00	134	CPL00405005406BMF	CPL20405005406BMF	IBC200319	IBT200419	RBR620406	5	
41	41,00 - 41,50	134	CPL00410005406BMF	CPL20410005406BMF	IBC200320	IBT200420	RBR620406	5	
41.50	41,50 - 42,00	134	CPL00415005406BMF	CPL20415005406BMF	IBC200321	IBT200421	RBR620406	5	
42	42,00 - 42,50	134	CPL00420005406BMF	CPL20420005406BMF	IBC200322	IBT200422	RBR620406	5	
42.50	42,50 - 43,00	134	CPL00425005406BMF	CPL20425005406BMF	IBC200323	IBT200423	RBR620406	5	
43	43,00 - 43,50	134	CPL00430005406BMF	CPL20430005406BMF	IBC200324	IBT200424	RBR620406	5	
43.50	43,50 - 44,00	134	CPL00435005406BMF	CPL20435005406BMF	IBC200325	IBT200425	RBR620406	5	
44	44,00 - 44,50	134	CPL00440005406BMF	CPL20440005406BMF	IBC200326	IBT200426	RBR620406	5	
44.50	44,50 - 45,00	134	CPL00445005406BMF	CPL20445005406BMF	IBC200327	IBT200427	RBR620406	5	
45	45,00 - 45,50	134	CPL00450005406BMF	CPL20450005406BMF	IBC200328	IBT200428	RBR620406	5	
45.50	45,50 - 46,00	134	CPL00455005406BMF	CPL20455005406BMF	IBC200329	IBT200429	RBR620406	5	
46	46,00 - 46,50	134	CPL00460007310BMF	CPL20460007310BMF	IBC200330	IBT200430	RBR620310	7	
46.50	46,50 - 47,00	134	CPL00465007310BMF	CPL20465007310BMF	IBC200331	IBT200431	RBR620310	7	
47	47,00 - 47,50	134	CPL00470007310BMF	CPL20470007310BMF	IBC200332	IBT200432	RBR620310	7	
47.50	47,50 - 48,00	134	CPL00475007310BMF	CPL20475007310BMF	IBC200333	IBT200433	RBR620310	7	
48	48,00 - 48,50	134	CPL00480007310BMF	CPL20480007310BMF	IBC200334	IBT200434	RBR620310	7	
48.50	48,50 - 49,00	134	CPL00485007310BMF	CPL20485007310BMF	IBC200335	IBT200435	RBR620310	7	
49	49,00 - 49,50	134	CPL00490007310BMF	CPL20490007310BMF	IBC200336	IBT200436	RBR620310	7	
49.50	49,50 - 50,00	134	CPL00495007310BMF	CPL20495007310BMF	IBC200337	IBT200437	RBR620310	7	

ROLLER BURNISHING TOOLS

INTERNAL DIAMETER
BLIND HOLES



Diameter Range $\text{Ø}50 - \text{Ø}65.50$
UNLIMITED ROLLING LENGTH



Roller Burnishing Tools | Blind Holes

ØD (mm)		Lenght (mm)	TOOL CODE		SPARE PARTS				
Nominal	Range		1	Assembly with Straight Shank	Assembly with Morse Taper Shank	Cage	Taper	Rolls	
								code	qty
50	50,00 - 50,50	178	CPL00500007406BMF	CPL30500007406BMF	IBC300302	IBT300402	RBR620406	7	
50.50	50,50 - 51,00	178	CPL00505007406BMF	CPL30505007406BMF	IBC300303	IBT300403	RBR620406	7	
51	51,00 - 51,50	178	CPL00510007406BMF	CPL30510007406BMF	IBC300304	IBT300404	RBR620406	7	
51.50	51,50 - 52,00	178	CPL00515007406BMF	CPL30515007406BMF	IBC300305	IBT300405	RBR620406	7	
52	52,00 - 52,50	178	CPL00520007406BMF	CPL30520007406BMF	IBC300306	IBT300406	RBR620406	7	
52.50	52,50 - 53,00	178	CPL00525007406BMF	CPL30525007406BMF	IBC300307	IBT300407	RBR620406	7	
53	53,00 - 53,50	178	CPL00530007406BMF	CPL30530007406BMF	IBC300308	IBT300408	RBR620406	7	
53.50	53,50 - 54,00	178	CPL00535007406BMF	CPL30535007406BMF	IBC300309	IBT300409	RBR620406	7	
54	54,00 - 54,50	178	CPL00540007406BMF	CPL30540007406BMF	IBC300310	IBT300410	RBR620406	7	
54.50	54,50 - 55,00	178	CPL00545007406BMF	CPL30545007406BMF	IBC300311	IBT300411	RBR620406	7	
55	55,00 - 55,50	178	CPL00550007406BMF	CPL30550007406BMF	IBC300312	IBT300412	RBR620406	7	
55.50	55,50 - 56,00	178	CPL00555007406BMF	CPL30555007406BMF	IBC300313	IBT300413	RBR620406	7	
56	56,00 - 56,50	178	CPL00560007465BMF	CPL30560007465BMF	IBC300314	IBT300414	RBR620465	7	
56.50	56,50 - 57,00	178	CPL00565007465BMF	CPL30565007465BMF	IBC300315	IBT300415	RBR620465	7	
57	57,00 - 57,50	178	CPL00570007465BMF	CPL30570007465BMF	IBC300316	IBT300416	RBR620465	7	
57.50	57,50 - 58,00	178	CPL00575007465BMF	CPL30575007465BMF	IBC300317	IBT300417	RBR620465	7	
58	58,00 - 58,50	178	CPL00580007465BMF	CPL30580007465BMF	IBC300318	IBT300418	RBR620465	7	
58.50	58,50 - 59,00	178	CPL00585007465BMF	CPL30585007465BMF	IBC300319	IBT300419	RBR620465	7	
59	59,00 - 59,50	178	CPL00590007465BMF	CPL30590007465BMF	IBC300320	IBT300420	RBR620465	7	
59.50	59,50 - 60,00	178	CPL00595007465BMF	CPL30595007465BMF	IBC300321	IBT300421	RBR620465	7	
60	60,00 - 60,50	178	CPL00600007465BMF	CPL30600007465BMF	IBC300322	IBT300422	RBR620465	7	
60.50	60,50 - 61,00	178	CPL00605007465BMF	CPL30605007465BMF	IBC300323	IBT300423	RBR620465	7	
61	61,00 - 61,50	178	CPL00610007465BMF	CPL30610007465BMF	IBC300324	IBT300424	RBR620465	7	
61.50	61,50 - 62,00	178	CPL00615007465BMF	CPL30615007465BMF	IBC300325	IBT300425	RBR620465	7	
62	62,00 - 62,50	178	CPL00620007465BMF	CPL30620007465BMF	IBC300326	IBT300426	RBR620465	7	
62.50	62,50 - 63,00	178	CPL00625007465BMF	CPL30625007465BMF	IBC300327	IBT300427	RBR620465	7	
63	63,00 - 63,50	178	CPL00630007465BMF	CPL30630007465BMF	IBC300328	IBT300428	RBR620465	7	
63.50	63,50 - 64,00	178	CPL00635007465BMF	CPL30635007465BMF	IBC300329	IBT300429	RBR620465	7	
64	64,00 - 64,50	178	CPL00640007465BMF	CPL30640007465BMF	IBC300330	IBT300430	RBR620465	7	
64.50	64,50 - 65,00	178	CPL00645007465BMF	CPL30645007465BMF	IBC300331	IBT300431	RBR620465	7	
65	65,00 - 65,50	178	CPL00650007465BMF	CPL30650007465BMF	IBC300332	IBT300432	RBR620465	7	
65.50	65,50 - 66,00	178	CPL00655007465BMF	CPL30655007465BMF	IBC300333	IBT300432	RBR620465	7	

INTERNAL DIAMETER
BLIND HOLES

Ø66 - Ø80.50 Diameter Range
UNLIMITED ROLLING LENGTH



Roller Burnishing Tools | Blind Holes

ØD (mm)		Length (mm)	TOOL CODE		SPARE PARTS			
Nominal	Range		1	Assembly with Straight Shank	Assembly with Morse Taper Shank	Cage	Taper	Rolls code qty
66	66,00 - 66,50	178	CPL00660007530BMF	CPL30660007530BMF	IBC300334	IBT300434	RBR620530	7
66.50	66,50 - 67,00	178	CPL00665007530BMF	CPL30665007530BMF	IBC300335	IBT300435	RBR620530	7
67	67,00 - 67,50	178	CPL00670007530BMF	CPL30670007530BMF	IBC300336	IBT300436	RBR620530	7
67.50	67,50 - 68,00	178	CPL00675007530BMF	CPL30675007530BMF	IBC300337	IBT300437	RBR620530	7
68	68,00 - 68,50	178	CPL00680007530BMF	CPL30680007530BMF	IBC300338	IBT300438	RBR620530	7
68.50	68,50 - 69,00	178	CPL00685007530BMF	CPL30685007530BMF	IBC300339	IBT300439	RBR620530	7
69	69,00 - 69,50	178	CPL00690007530BMF	CPL30690007530BMF	IBC300340	IBT300440	RBR620530	7
69.50	69,50 - 70,00	178	CPL00695007530BMF	CPL30695007530BMF	IBC300341	IBT300441	RBR620530	7
70	70,00 - 70,50	178	CPL00700007530BMF	CPL30700007530BMF	IBC300342	IBT300442	RBR620530	7
70.50	70,50 - 71,00	178	CPL00705007530BMF	CPL30705007530BMF	IBC300343	IBT300443	RBR620530	7
71	71,00 - 71,50	178	CPL00710007530BMF	CPL30710007530BMF	IBC300344	IBT300444	RBR620530	7
71.50	71,50 - 72,00	178	CPL00715007530BMF	CPL30715007530BMF	IBC300345	IBT300445	RBR620530	7
72	72,00 - 72,50	178	CPL00720007530BMF	CPL30720007530BMF	IBC300346	IBT300446	RBR620530	7
72.50	72,50 - 73,00	178	CPL00725007530BMF	CPL30725007530BMF	IBC300347	IBT300447	RBR620530	7
73	73,00 - 73,50	178	CPL00730007530BMF	CPL30730007530BMF	IBC300348	IBT300448	RBR620530	7
73.50	73,50 - 74,00	178	CPL00735007530BMF	CPL30735007530BMF	IBC300349	IBT300449	RBR620530	7
74	74,00 - 74,50	178	CPL00740007530BMF	CPL30740007530BMF	IBC300350	IBT300450	RBR620530	7
74.50	74,50 - 75,00	178	CPL00745007530BMF	CPL30745007530BMF	IBC300351	IBT300451	RBR620530	7
75	75,00 - 75,50	178	CPL00750007530BMF	CPL30750007530BMF	IBC300352	IBT300452	RBR620530	7
75.50	75,50 - 76,00	178	CPL00755007530BMF	CPL30755007530BMF	IBC300353	IBT300453	RBR620530	7
76	76,00 - 76,50	178	CPL00760007530BMF	CPL30760007530BMF	IBC300354	IBT300454	RBR620530	7
76.50	76,50 - 77,00	178	CPL00765007530BMF	CPL30765007530BMF	IBC300355	IBT300455	RBR620530	7
77	77,00 - 77,50	178	CPL00770007530BMF	CPL30770007530BMF	IBC300356	IBT300456	RBR620530	7
77.50	77,50 - 78,00	178	CPL00775007530BMF	CPL30775007530BMF	IBC300357	IBT300457	RBR620530	7
78	78,00 - 78,50	178	CPL00780007530BMF	CPL30780007530BMF	IBC300358	IBT300458	RBR620530	7
78.50	78,50 - 79,00	178	CPL00785007530BMF	CPL30785007530BMF	IBC300359	IBT300459	RBR620530	7
79	79,00 - 79,50	178	CPL00790007530BMF	CPL30790007530BMF	IBC300360	IBT300460	RBR620530	7
79.50	79,50 - 80,00	178	CPL00795007530BMF	CPL30795007530BMF	IBC300361	IBT300461	RBR620530	7
80	80,00 - 80,50	178	CPL00800007530BMF	CPL30800007530BMF	IBC300362	IBT300462	RBR620530	7
80.50	80,50 - 81,00	178	CPL00805007530BMF	CPL30805007530BMF	IBC300363	IBT300463	RBR620530	7

INTERNAL DIAMETER
BLIND HOLES

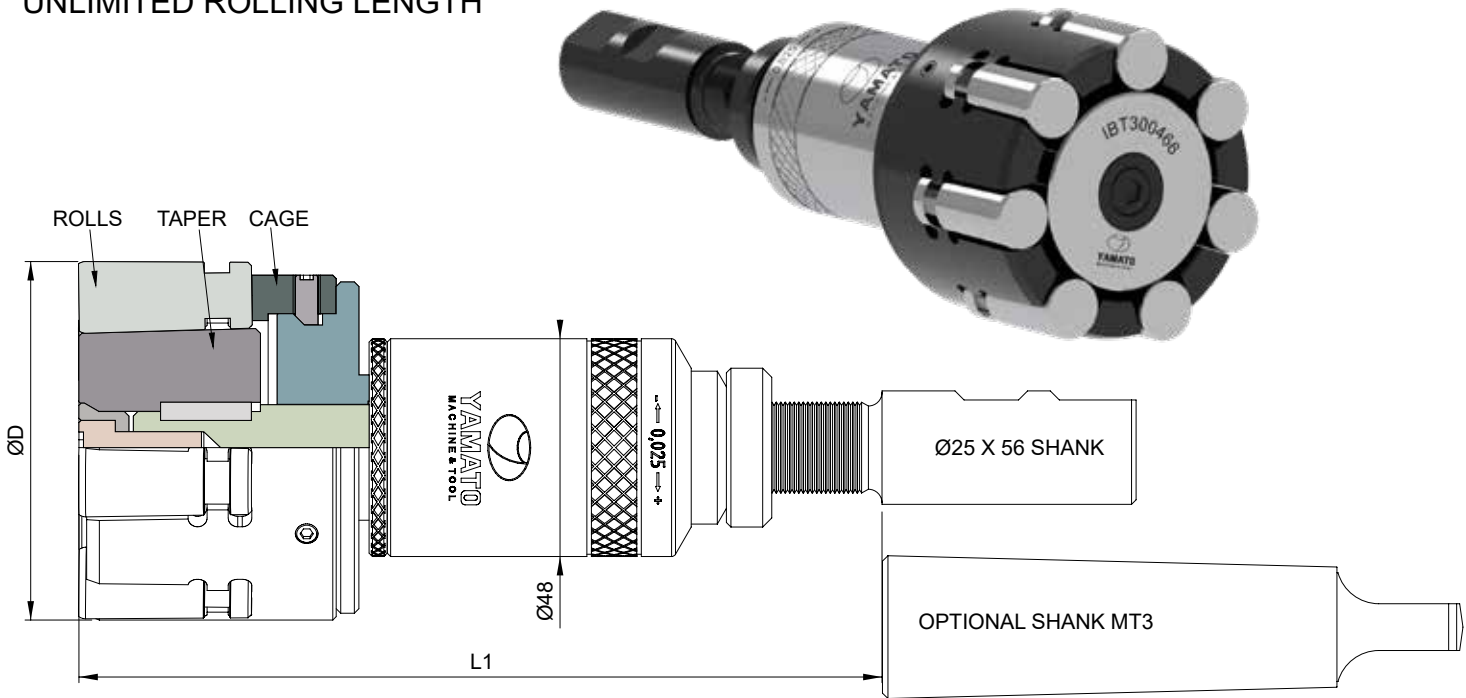
ROLLER BURNISHING TOOLS

INTERNAL DIAMETER
BLIND HOLES



Diameter Range Ø81 - Ø85.50

UNLIMITED ROLLING LENGTH

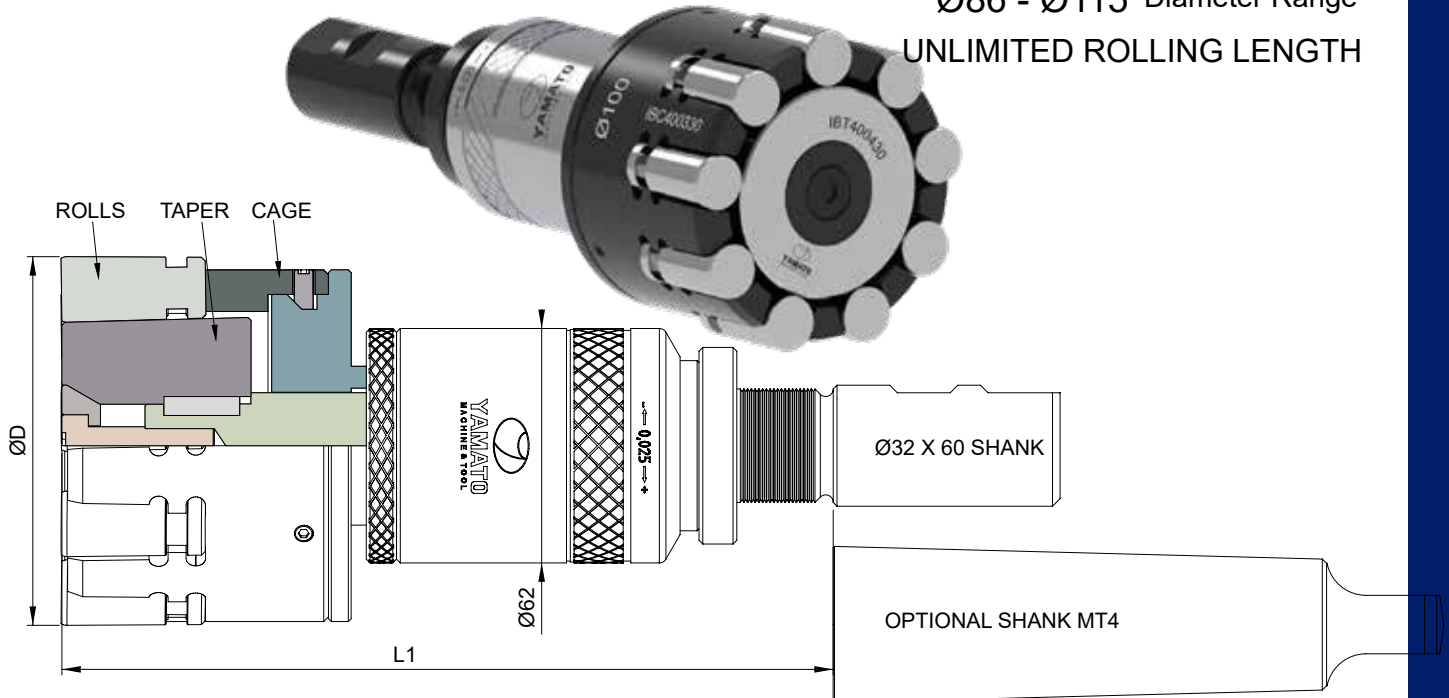


Roller Burnishing Tools | Blind Holes

ØD (mm)		Lenght (mm)	TOOL CODE		SPARE PARTS				
Nominal	Range		1	Assembly with Straight Shank	Assembly with Morse Taper Shank	Cage	Taper	Rolls	
								code	qty
81	81,00 - 81,50	178	CPL00810007625BMF	CPL30810007625BMF	IBC300364	IBT300464	RBR620625	7	
81.50	81,50 - 82,00	178	CPL00815007625BMF	CPL30815007625BMF	IBC300365	IBT300465	RBR620625	7	
82	82,00 - 82,50	178	CPL00820007625BMF	CPL30820007625BMF	IBC300366	IBT300466	RBR620625	7	
82.50	82,50 - 83,00	178	CPL00825007625BMF	CPL30825007625BMF	IBC300367	IBT300467	RBR620625	7	
83	83,00 - 83,50	178	CPL00830007625BMF	CPL30830007625BMF	IBC300368	IBT300468	RBR620625	7	
83.50	83,50 - 84,00	178	CPL00835007625BMF	CPL30835007625BMF	IBC300369	IBT300469	RBR620625	7	
84	84,00 - 84,50	178	CPL00840007625BMF	CPL30840007625BMF	IBC300370	IBT300470	RBR620625	7	
84.50	84,50 - 85,00	178	CPL00845007625BMF	CPL30845007625BMF	IBC300371	IBT300471	RBR620625	7	
85	85,00 - 85,50	178	CPL00850007625BMF	CPL30850007625BMF	IBC300372	IBT300472	RBR620625	7	
85.50	85,50 - 86,00	178	CPL00855007625BMF	CPL30855007625BMF	IBC300373	IBT300473	RBR620625	7	

INTERNAL DIAMETER
BLIND HOLES

Ø86 - Ø115 Diameter Range
UNLIMITED ROLLING LENGTH



Roller Burnishing Tools | Blind Holes

ØD (mm)		Lenght (mm)	TOOL CODE		SPARE PARTS				
Nominal	Range		1	Assembly with Straight Shank	Assembly with Morse Taper Shank	Cage	Taper	Rolls code	qty
86	86,00 - 86,50	204	CPL00860009625BMF	CPL40860009625BMF	IBC400302	IBT400402	RBR620625	9	
87	87,00 - 87,50	204	CPL00870009625BMF	CPL40870009625BMF	IBC400304	IBT400404	RBR620625	9	
88	88,00 - 88,50	204	CPL00880009625BMF	CPL40880009625BMF	IBC400306	IBT400406	RBR620625	9	
89	89,00 - 89,50	204	CPL00890009625BMF	CPL40890009625BMF	IBC400308	IBT400408	RBR620625	9	
90	90,00 - 90,50	204	CPL00900009625BMF	CPL40900009625BMF	IBC400310	IBT400410	RBR620625	9	
91	91,00 - 91,50	204	CPL00910009625BMF	CPL40910009625BMF	IBC400312	IBT400412	RBR620625	9	
92	92,00 - 92,50	204	CPL00920009625BMF	CPL40920009625BMF	IBC400314	IBT400414	RBR620625	9	
93	93,00 - 93,50	204	CPL00930009625BMF	CPL40930009625BMF	IBC400316	IBT400416	RBR620625	9	
94	94,00 - 94,50	204	CPL00940009625BMF	CPL40940009625BMF	IBC400318	IBT400418	RBR620625	9	
95	95,00 - 95,50	204	CPL00950009625BMF	CPL40950009625BMF	IBC400320	IBT400420	RBR620625	9	
96	96,00 - 96,50	204	CPL00960009687BMF	CPL40960009687BMF	IBC400322	IBT400422	RBR620625	9	
97	97,00 - 97,50	204	CPL00970009687BMF	CPL40970009687BMF	IBC400324	IBT400424	RBR620625	9	
98	98,00 - 98,50	204	CPL00980009687BMF	CPL40980009687BMF	IBC400326	IBT400426	RBR620625	9	
99	99,00 - 99,50	204	CPL00990009687BMF	CPL40990009687BMF	IBC400328	IBT400428	RBR620625	9	
100	100,00 - 100,50	204	CPL01000009687BMF	CPL41000009687BMF	IBC400330	IBT400430	RBR620625	9	
101	101,00 - 101,50	204	CPL01010009687BMF	CPL41010009687BMF	IBC400332	IBT400432	RBR620625	9	
102	102,00 - 102,50	204	CPL01020009687BMF	CPL41020009687BMF	IBC400334	IBT400434	RBR620625	9	
103	103,00 - 103,50	204	CPL01030009687BMF	CPL41030009687BMF	IBC400336	IBT400436	RBR620625	9	
104	104,00 - 104,50	204	CPL01040009687BMF	CPL41040009687BMF	IBC400338	IBT400438	RBR620625	9	
105	105,00 - 105,50	204	CPL01050009687BMF	CPL41050009687BMF	IBC400340	IBT400440	RBR620625	9	
106	106,00 - 106,50	204	CPL01060009687BMF	CPL41060009687BMF	IBC400342	IBT400442	RBR620625	9	
107	107,00 - 107,50	204	CPL01070009687BMF	CPL41070009687BMF	IBC400344	IBT400444	RBR620625	9	
108	108,00 - 108,50	204	CPL01080009687BMF	CPL41080009687BMF	IBC400346	IBT400446	RBR620625	9	
109	109,00 - 109,50	204	CPL01090009687BMF	CPL41090009687BMF	IBC400348	IBT400448	RBR620625	9	
110	110,00 - 110,50	204	CPL01100009687BMF	CPL41100009687BMF	IBC400350	IBT400450	RBR620625	9	
111	111,00 - 111,50	204	CPL01110009687BMF	CPL41110009687BMF	IBC400352	IBT400452	RBR620625	9	
112	112,00 - 112,50	204	CPL01120009687BMF	CPL41120009687BMF	IBC400354	IBT400454	RBR620625	9	
113	113,00 - 113,50	204	CPL01130009687BMF	CPL41130009687BMF	IBC400356	IBT400456	RBR620625	9	
114	114,00 - 114,50	204	CPL01140009687BMF	CPL41140009687BMF	IBC400358	IBT400458	RBR620625	9	
115	115,00 - 115,50	204	CPL01150009687BMF	CPL41150009687BMF	IBC400360	IBT400460	RBR620625	9	

INTERNAL DIAMETER
BLIND HOLES

ROLLER BURNISHING TOOLS

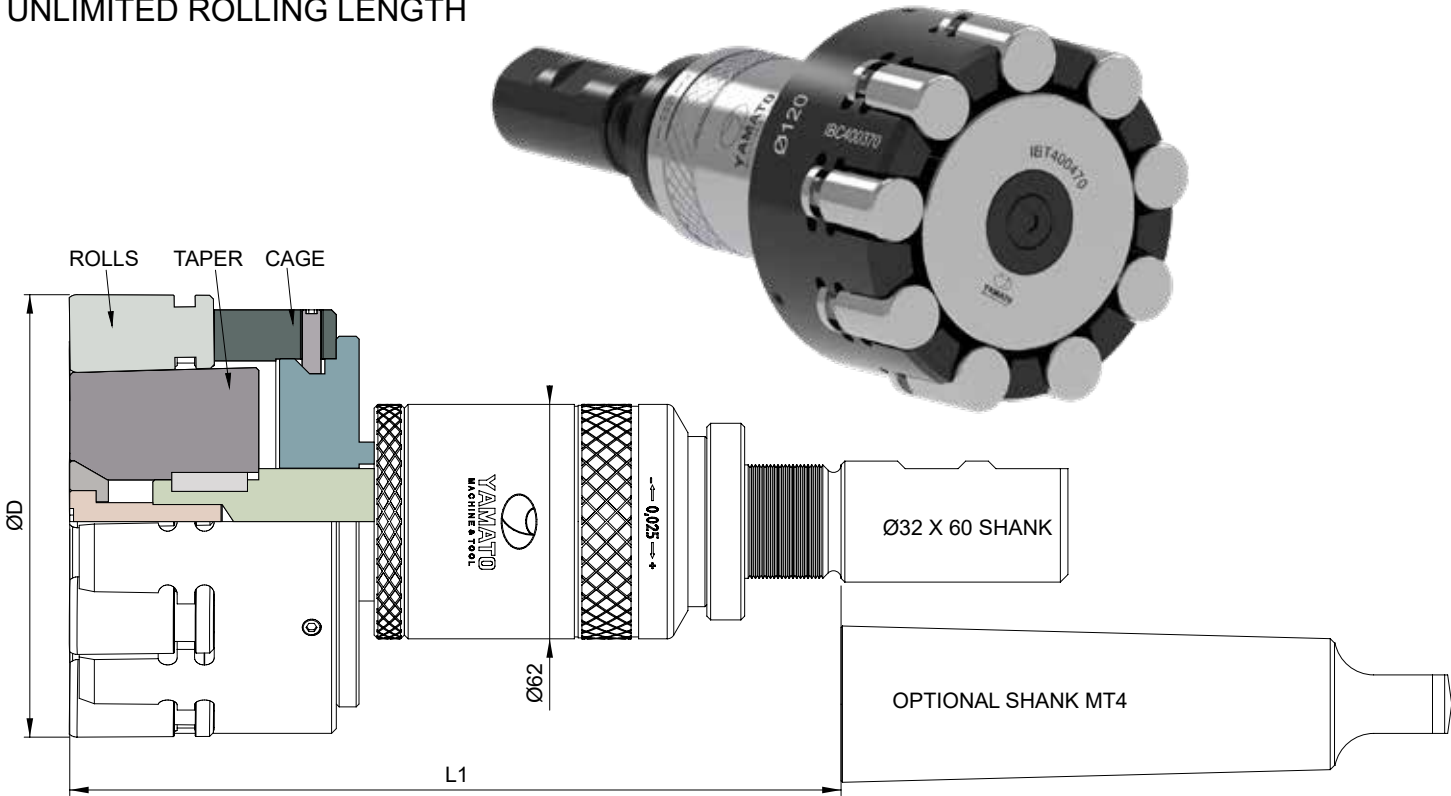
INTERNAL DIAMETER
BLIND HOLES



YAMATO
MACHINE & TOOL

Diameter Range $\varnothing 116 - \varnothing 125$

UNLIMITED ROLLING LENGTH

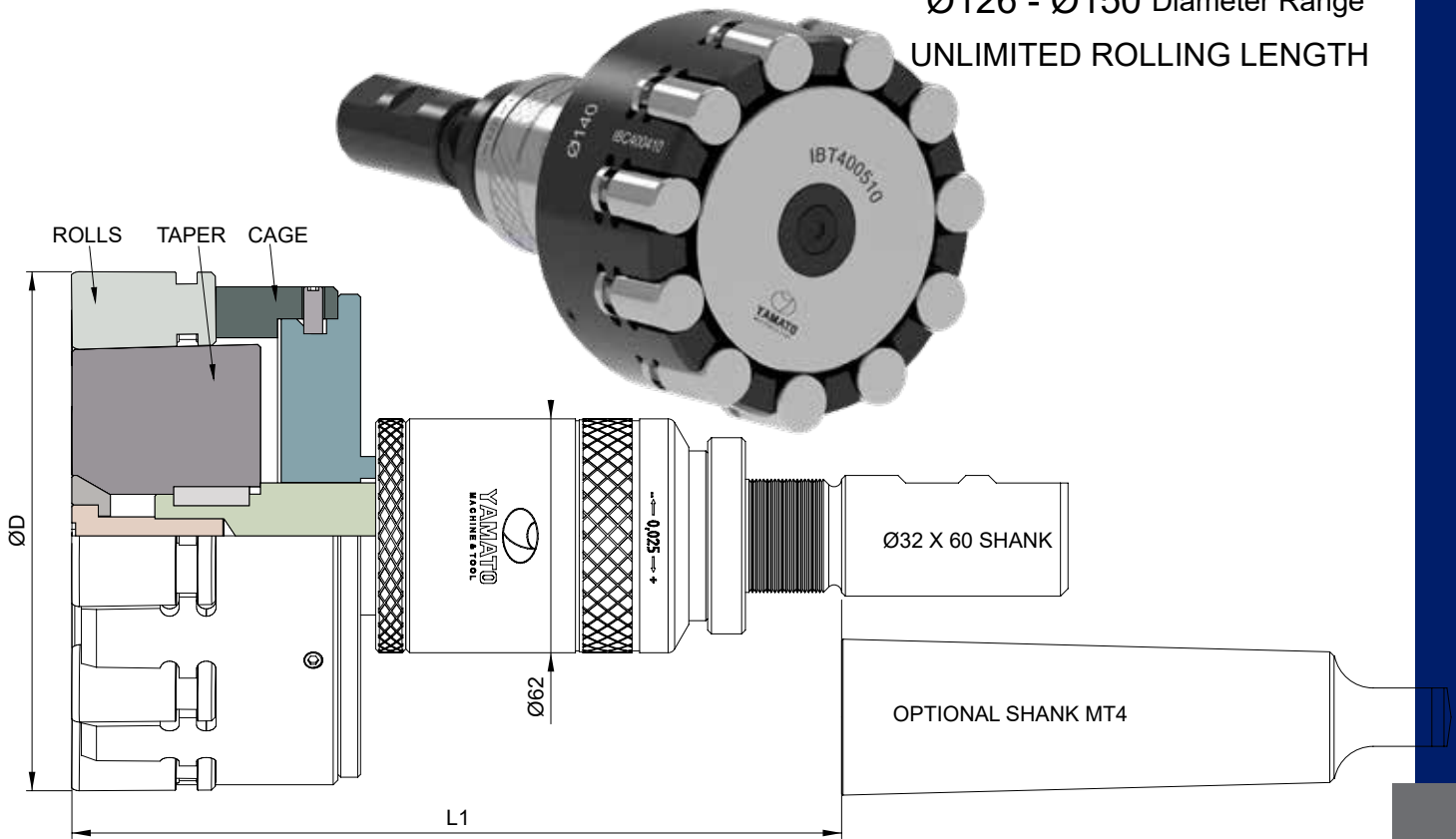


Roller Burnishing Tools | Blind Holes

ØD (mm)		Lenght (mm)	TOOL CODE		SPARE PARTS			
Nominal	Range		1	Assembly with Straight Shank	Assembly with Morse Taper Shank	Cage	Taper	Rolls code
116	116,00 - 116,50	204	CPL01160009812BMF	CPL41160009812BMF	IBC400362	IBT400462	RBR620812	9
117	117,00 - 117,50	204	CPL01170009812BMF	CPL41170009812BMF	IBC400364	IBT400464	RBR620812	9
118	118,00 - 118,50	204	CPL01180009812BMF	CPL41180009812BMF	IBC400366	IBT400466	RBR620812	9
119	119,00 - 119,50	204	CPL01190009812BMF	CPL41190009812BMF	IBC400368	IBT400468	RBR620812	9
120	120,00 - 120,50	204	CPL01200009812BMF	CPL41200009812BMF	IBC400370	IBT400470	RBR620812	9
121	121,00 - 121,50	204	CPL01210009812BMF	CPL41210009812BMF	IBC400372	IBT400472	RBR620812	9
122	122,00 - 122,50	204	CPL01220009812BMF	CPL41220009812BMF	IBC400374	IBT400474	RBR620812	9
123	123,00 - 123,50	204	CPL01230009812BMF	CPL41230009812BMF	IBC400376	IBT400476	RBR620812	9
124	124,00 - 124,50	204	CPL01240009812BMF	CPL41240009812BMF	IBC400378	IBT400478	RBR620812	9
125	125,00 - 125,50	204	CPL01250009812BMF	CPL41250009812BMF	IBC400380	IBT400480	RBR620812	9

INTERNAL DIAMETER
BLIND HOLES

Ø126 - Ø150 Diameter Range
UNLIMITED ROLLING LENGTH



Roller Burnishing Tools Blind Holes								
ØD (mm)		Lenght (mm)	TOOL CODE		SPARE PARTS			
Nominal	Range		1	Assembly with Straight Shank	Assembly with Morse Taper Shank	Cage	Taper	Rolls code qty
126	126,00 - 126,50	204	CPL01260011812BMF	CPL41260011812BMF	IBC400382	IBT400482	RBR620812	11
127	127,00 - 127,50	204	CPL01270011812BMF	CPL41270011812BMF	IBC400384	IBT400484	RBR620812	11
128	128,00 - 128,50	204	CPL01280011812BMF	CPL41280011812BMF	IBC400386	IBT400486	RBR620812	11
129	129,00 - 129,50	204	CPL01290011812BMF	CPL41290011812BMF	IBC400388	IBT400488	RBR620812	11
130	130,00 - 130,50	204	CPL01300011812BMF	CPL41300011812BMF	IBC400390	IBT400490	RBR620812	11
131	131,00 - 131,50	204	CPL01310011812BMF	CPL41310011812BMF	IBC400392	IBT400492	RBR620812	11
132	132,00 - 132,50	204	CPL01320011812BMF	CPL41320011812BMF	IBC400394	IBT400494	RBR620812	11
133	133,00 - 133,50	204	CPL01330011812BMF	CPL41330011812BMF	IBC400396	IBT400496	RBR620812	11
134	134,00 - 134,50	204	CPL01340011812BMF	CPL41340011812BMF	IBC400398	IBT400498	RBR620812	11
135	135,00 - 135,50	204	CPL01350011812BMF	CPL41350011812BMF	IBC400400	IBT400500	RBR620812	11
136	136,00 - 136,50	204	CPL01360011812BMF	CPL41360011812BMF	IBC400402	IBT400502	RBR620812	11
137	137,00 - 137,50	204	CPL01370011812BMF	CPL41370011812BMF	IBC400404	IBT400504	RBR620812	11
138	138,00 - 138,50	204	CPL01380011812BMF	CPL41380011812BMF	IBC400406	IBT400506	RBR620812	11
139	139,00 - 139,50	204	CPL01390011812BMF	CPL41390011812BMF	IBC400408	IBT400508	RBR620812	11
140	140,00 - 140,50	204	CPL01400011812BMF	CPL41400011812BMF	IBC400410	IBT400510	RBR620812	11
141	141,00 - 141,50	204	CPL01410011812BMF	CPL41410011812BMF	IBC400412	IBT400512	RBR620812	11
142	142,00 - 142,50	204	CPL01420011812BMF	CPL41420011812BMF	IBC400414	IBT400514	RBR620812	11
143	143,00 - 143,50	204	CPL01430011812BMF	CPL41430011812BMF	IBC400416	IBT400516	RBR620812	11
144	144,00 - 144,50	204	CPL01440011812BMF	CPL41440011812BMF	IBC400418	IBT400518	RBR620812	11
145	145,00 - 145,50	204	CPL01450011812BMF	CPL41450011812BMF	IBC400420	IBT400520	RBR620812	11
146	146,00 - 146,50	204	CPL01460011812BMF	CPL41460011812BMF	IBC400422	IBT400522	RBR620812	11
147	147,00 - 147,50	204	CPL01470011812BMF	CPL41470011812BMF	IBC400424	IBT400524	RBR620812	11
148	148,00 - 148,50	204	CPL01480011812BMF	CPL41480011812BMF	IBC400426	IBT400526	RBR620812	11
149	149,00 - 149,50	204	CPL01490011812BMF	CPL41490011812BMF	IBC400428	IBT400528	RBR620812	11
150	150,00 - 150,50	204	CPL01500011812BMF	CPL41500011812BMF	IBC400430	IBT400530	RBR620812	11

ROLLER BURNISHING TOOLS

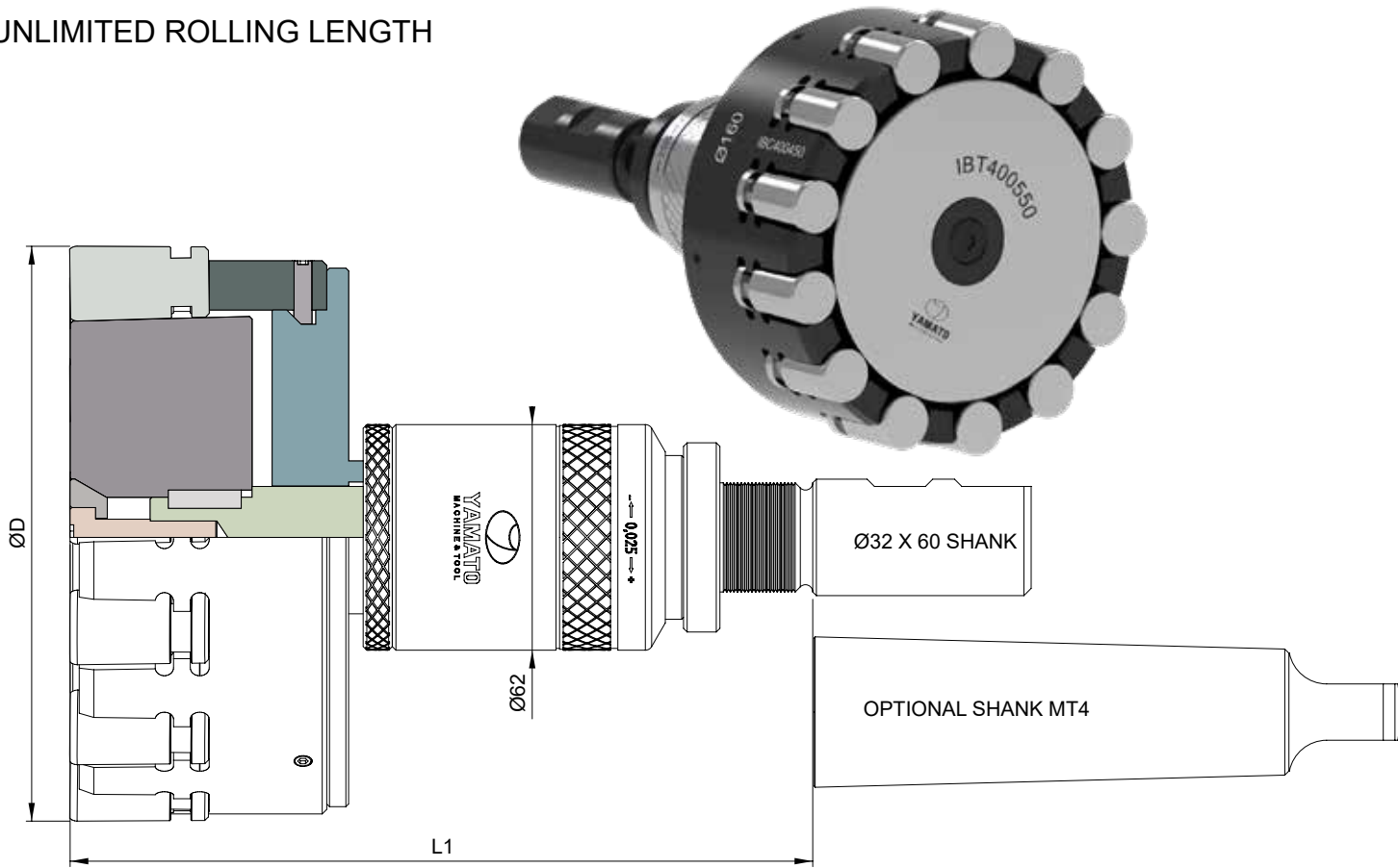
INTERNAL DIAMETER
BLIND HOLES



YAMATO
MACHINE & TOOL

Diameter Range $\varnothing 151 - \varnothing 160$

UNLIMITED ROLLING LENGTH



Roller Burnishing Tools | Blind Holes

ØD (mm)		Lenght (mm)	TOOL CODE		SPARE PARTS				
Nominal	Range		1	Assembly with Straight Shank	Assembly with Morse Taper Shank	Cage	Taper	Rolls	
								code	qty
151	151,00 - 151,50	204	CPL01510013812BMF	CPL41510013812BMF	IBC400432	IBT400532	RBR620812	13	
152	152,00 - 152,50	204	CPL01520013812BMF	CPL41520013812BMF	IBC400434	IBT400534	RBR620812	13	
153	153,00 - 153,50	204	CPL01530013812BMF	CPL41530013812BMF	IBC400436	IBT400536	RBR620812	13	
154	154,00 - 154,50	204	CPL01540013812BMF	CPL41540013812BMF	IBC400438	IBT400538	RBR620812	13	
155	155,00 - 155,50	204	CPL01550013812BMF	CPL41550013812BMF	IBC400440	IBT400540	RBR620812	13	
156	156,00 - 156,50	204	CPL01560013812BMF	CPL41560013812BMF	IBC400442	IBT400542	RBR620812	13	
157	157,00 - 157,50	204	CPL01570013812BMF	CPL41570013812BMF	IBC400444	IBT400544	RBR620812	13	
158	158,00 - 158,50	204	CPL01580013812BMF	CPL41580013812BMF	IBC400446	IBT400546	RBR620812	13	
159	159,00 - 159,50	204	CPL01590013812BMF	CPL41590013812BMF	IBC400448	IBT400548	RBR620812	13	
160	160,00 - 160,50	204	CPL01600013812BMF	CPL41600013812BMF	IBC400450	IBT400550	RBR620812	13	

Ø160 - ... Diameter Range
UNLIMITED ROLLING LENGTH

