

DEBURRING TOOLS

▶ YABARI COMPENSATING DEBURRING TOOL



SPINDLE SPEED 10.000rpm
ROTATION : CLOCKWISE
FEED : 2000-4000 mm/min

- .The holder has a top rated speed of 10.000min⁻¹
 - .The gripping range of the collet is $\varnothing 0.6$ to $\varnothing 7$ mm for ER11.
 - .Built-in mechanism to contract 10mm in the axial direction.
- YABARI is capable of applying constant pressure of the cutting edge against the surface to deburr.
- YABARI has built-in load adjustment mechanism.**



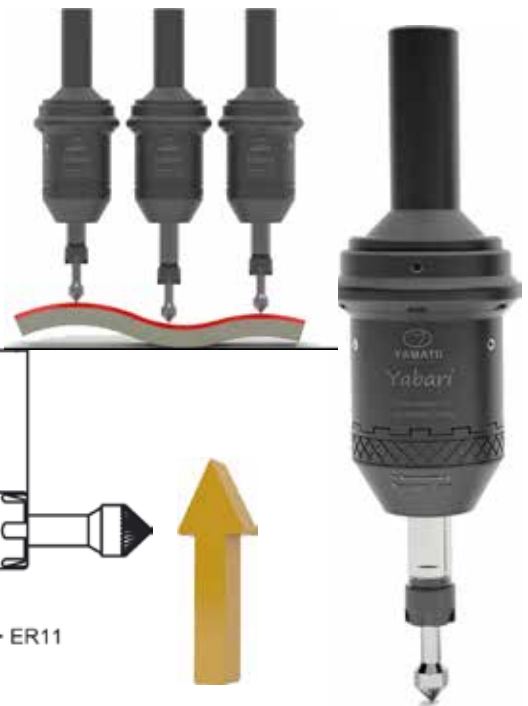
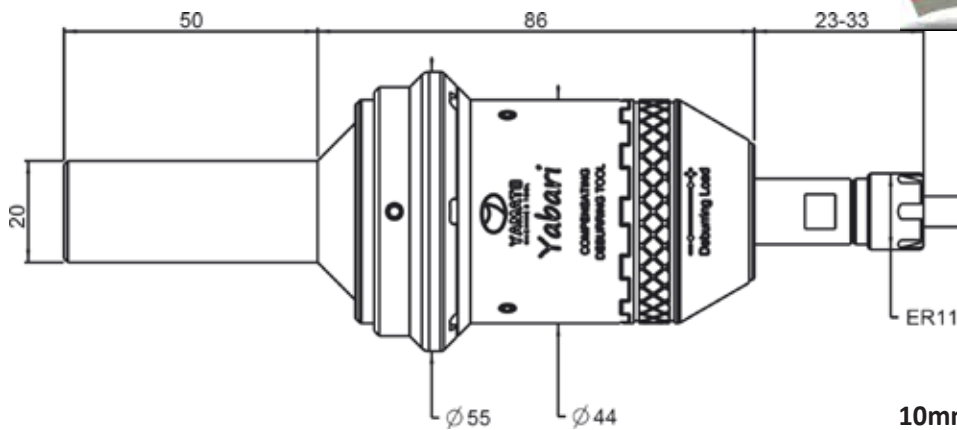
DEBURRING TOOLS

YABARI

COMPENSATING DEBURRING TOOL

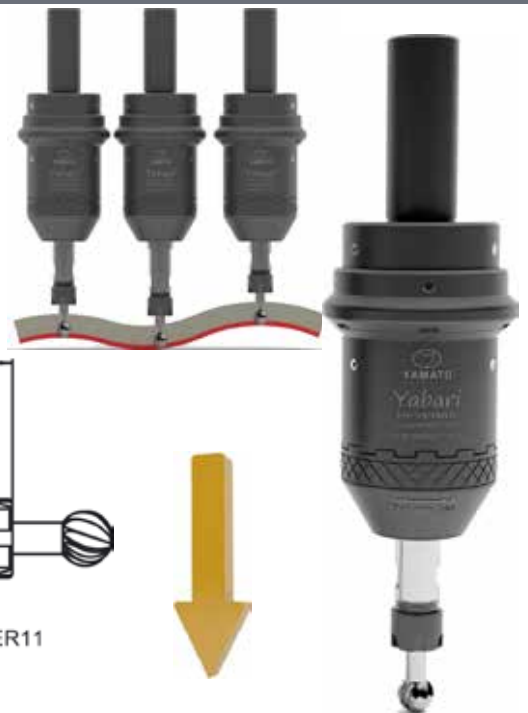
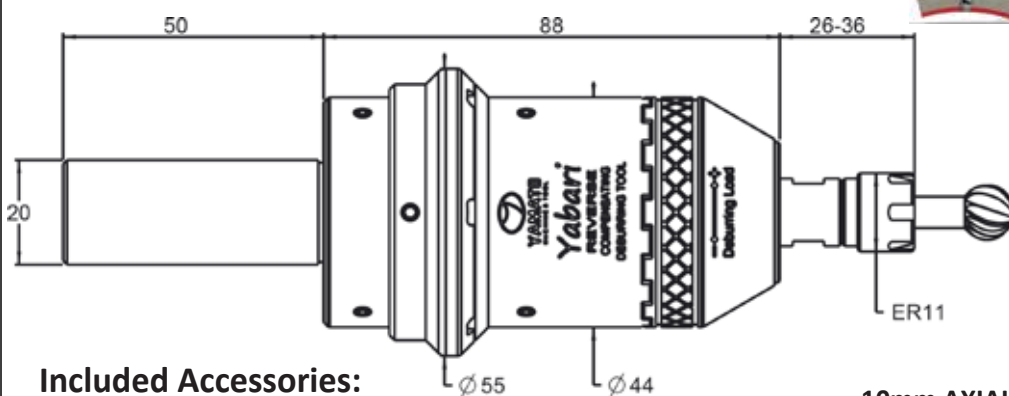


YABARI PUSH TYPE



10mm AXIAL DEFLECTION PUSHING

YABARI PULL TYPE



10mm AXIAL DEFLECTION-PULLING

Included Accessories:

- ER11 6mm collet
- ERM11 nut
- ERM11 spanner



YAMATO Ltd EU Technical Division
TECNIMETAL SRL EU Warehouse
Via degli Andreani 9 - 40037 Sasso Marconi BO - Italy
Phone +39 051735744 - E-mail: info@yamatoroll.eu

www.yamatoroll.eu

WATCH ME